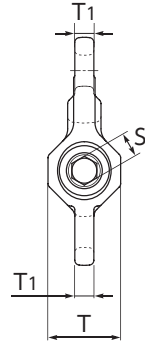
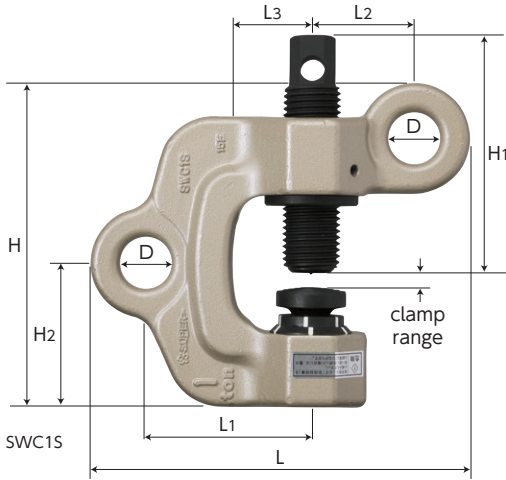


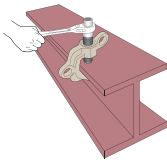
Original Twist Cam System

SWC-S

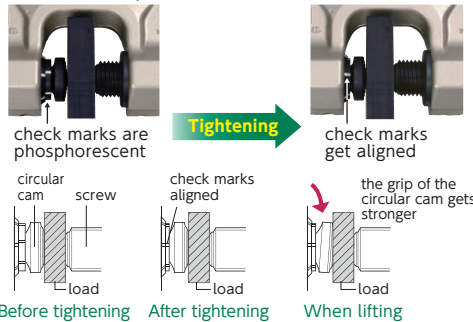
SCREW CAM CLAMP (Double Eye Type)
Twist Cam Type PAT.



Tightening operation

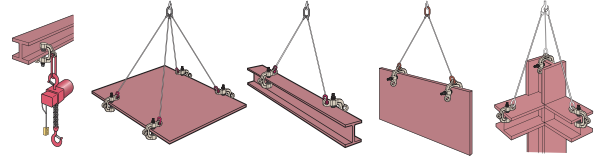


Visual safety check



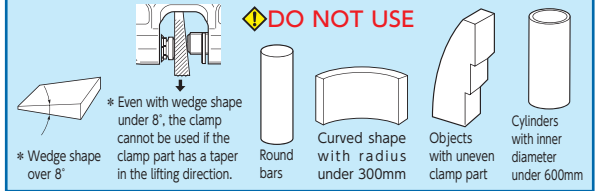
Example of use

Always lift a load at 2 or more points for safety.
In case of lifting down, cannot be set to slanted-shape part such as steel I beams.



*Common to all the screw cam clamps (SCC, SCC-W, SDC-S, SJC-S, SDC-N, SDC-WN, SJC, SUC, SWC-N, SSC-N, SWC-S).

● The clamp cannot be used for the load shapes described below.



Accessories

● 17x21 Double Size Ratchet Wrench (Short Type)

Features

- All-purpose clamp that can be used for a variety of operations such as lifting up and down, lateral pulling and turning over.
- Adequacy of tightening can be visually confirmed by secure and safe structure of the twist cam.
- When used in horizontal lifting, the screw is placed on top (operator's side), so the tightening operation can be done easily (when installing underneath a beam, the tightening can be done on the operator's side).
- The tightening mechanism with a screw and a circular cam (special spring type) provides sure clamping force on a load even when the load is landed or when vibrations occur during the lifting operation.
- The tightening check marks have phosphorescent (glow in the dark) paint for easy visual recognition.

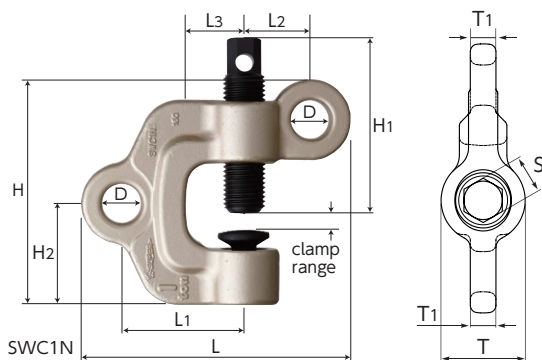
Item No.	Rated capacity (ton)	Clamp range (mm)	Size (mm)											N.W. (kg)
			L	L1	L2	L3	H	H1	H2	D	T	T1	S	
SWC0.5S	0.5	0~25	151.5	63	43.5	30	130	88	57.5	22	50	14	17	1.9
SWC1S	1	0~40	191.5	84	51.5	40	164	120	72.5	26	61	16	21	3.5
SWC2S	2	0~40	224.0	94	62.0	40	184	129	79.0	32	77	18	21	5.8

Note : After having checked that the check marks are aligned, operate tightening over 25N·m (approx. 250kgf·cm).

Normal Type

SWC-N

SCREW CAM CLAMP (Double Eye Type) PAT.



Example of use · Features

* The features (except the twist cam with check marks) and the examples of use are the same as SWC-S.

Accessories

● 17x21 Double Size Ratchet Wrench (Short Type)

Item No.	Rated capacity (ton)	Clamp range (mm)	Size (mm)											N.W. (kg)
			L	L1	L2	L3	H	H1	H2	D	T	T1	S	
SWC0.5N	0.5	0~25	147	63	39	30	122	89	45	22	46	14	21	1.8
SWC1N	1	0~40	185	84	45	40	156	121	58.5	26	50	16	21	3.2
SWC2N	2	0~40	215	94	53	40	170	121	63.5	32	60	18	21	5.0

Note : For the torque value of the screw tightening, operate tightening over 25N·m (approx. 250kgf·cm).