

50 to 200 kN (MC Series)

Maximum operating pressure	70 MPa
Maximum output	50/100/200 kN
Cylinder system	Single-acting
Return system	Spring-return
Coupler connection port size	Rc3/8

- The piston and the inside of the cylinder tube are plated.
- A special head cover is included.
- Short type having a minimized overall length.

 For cylinder and pump selections, see page 54.

Model code structure

MC **05** - **25** **VC**

Single-acting cylinder
MC series

Maximum output
05 : 50kN
1 : 100kN
2 : 200kN

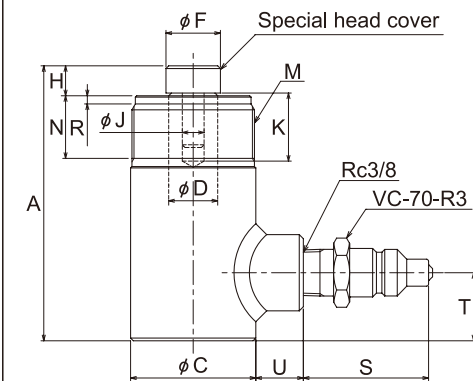
Stroke
(mm)

Attached coupler

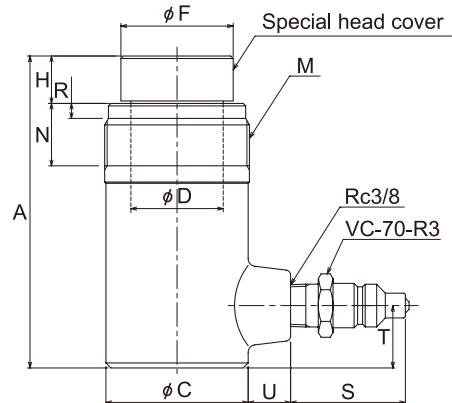
VC : VC-70-R3
S : S-1R
T : ROC-13R
-NC : W/O coupler



- MC05-25VC/50VC
- MC1-15VC/25VC/35VC
- MC2-25VC/50VC



- MC1-50VC



Specifications

Model		MC05-25	MC05-50	MC1-15	MC1-25	MC1-35	MC1-50	MC2-25	MC2-50
Maximum output	kN	50		100				200	
Effective area	cm ²	7.16		14.52				28.74	
Stroke	mm	25	50	15	25	35	50	25	50
Minimum overall length	A	101	144	88	111	128	125	127	171
Cylinder internal diameter	φ	30.2		43				60.5	
Cylinder external diameter	φ C	46		57				82	
Piston diameter	φ D	18		28		37		38	
Head cover diameter	φ F	20		27		45		36	
Piston protrusion length	H	11		11		19		16	
Piston hole diameter	φ J	8		19		—		19	
Piston hole length	K	25		30		—		35	
Collar thread size	M	M45 x 1.5		M58 x 2				M82 x 2	
Collar thread length	N	23		25				50	
Incomplete thread length	R	3		6				6	
Coupler protrusion length	VC-70-R3	≈ 46		≈ 46				≈ 46	
	S-1R	≈ 53		≈ 53				≈ 53	
	ROC-13R	≈ 49		≈ 49				≈ 49	
Coupler position	T	25		21	25		25		
Boss length	U	18		17				19	
Required oil volume	cm ³	18	36	22	37	51	73	72	144
Approx. weight	kg	1.2	1.7	1.6	1.9	2.2	2.1	4.3	5.6

Compatible attachments

Attachment location	Cylinder parts	MC05-25	MC05-50	MC1-15	MC1-25	MC1-35	MC1-50	MC2-25	MC2-50
Piston	Tilt saddle	—		R-1020SP			—	R-1020SP	
Collar thread	Flange	5FM		10FM			20FM		