

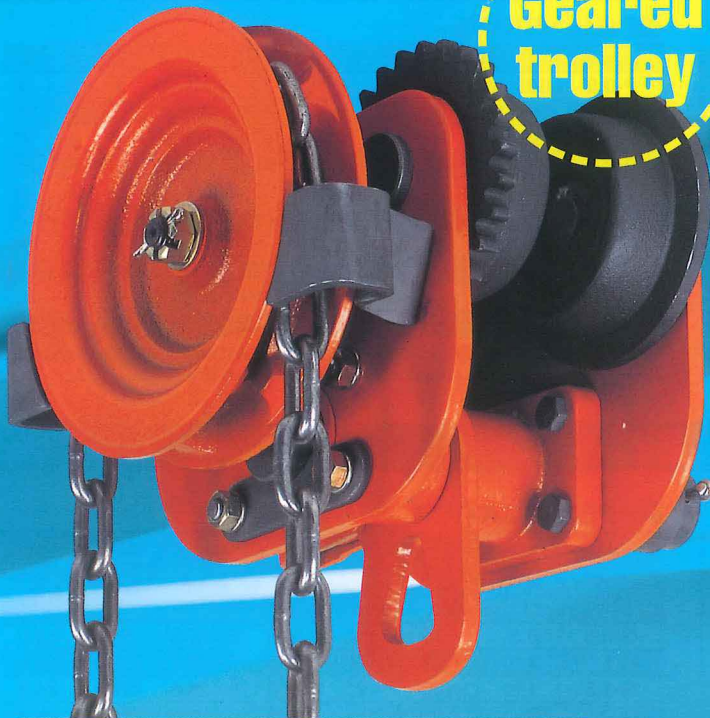
ELEPHANT



ADJUSTABLE TROLLEY

**Geared
trolley**

**Plain
trolley**



To any beam width

Elephant adjustable trolleys are adjustable to any beam width, in three stages, simply by increasing or decreasing the number of the adjusting collars.

For both I-beam and H-beam

Wheels of the trolley fit both I-beam and H-beam.

High quality closed bearings

High quality closed bearings employed in the trolley provide smooth wheel traveling.

OPTION



- 1 With anti-drop plates
- 2 With finer adjustment collars instead of 4 collars

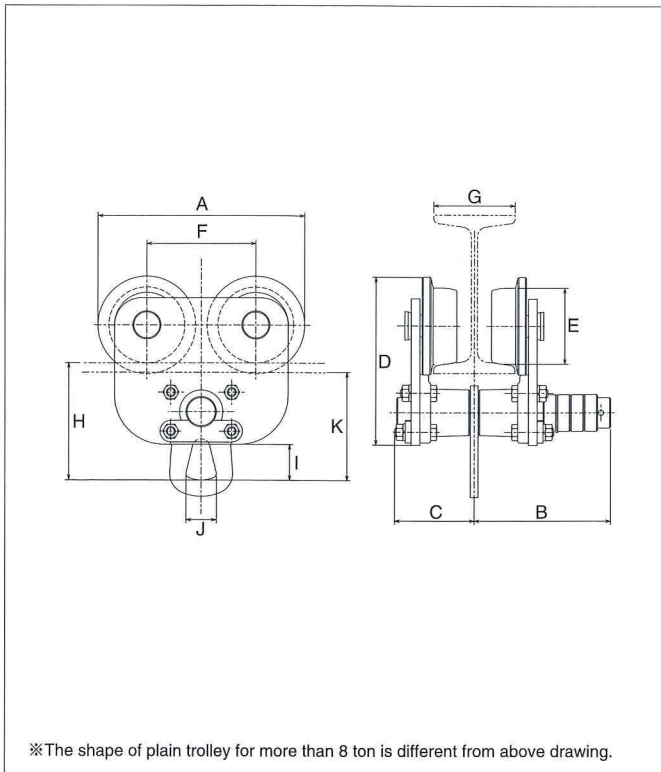


ELEPHANT CHAIN BLOCK CO., LTD.



JQA-1547

ADJUSTABLE PLAIN TROLLEY



SPECIFICATION

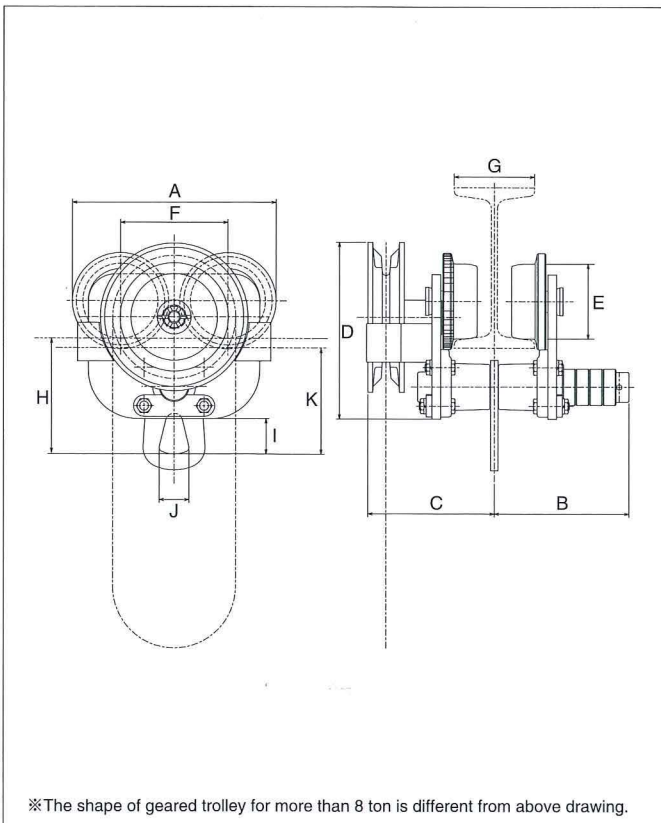
Model	Capacity (ton)	I-beam width			Min. radius of I-beam (mm)	Net weight (kg)
		No Collars (mm)	With 2 Collars (mm)	With 4 Collars (mm)		
P-0.5	0.5	75	100	125	900	8.0
P-1	1	75	100	125	1100	11.0
P-1.6	1.6	100	125	150	1200	19.0
P-2	2	100	125	150	1200	19.0
P-3.1	3.1	100	125	150	1700	27.0
P-5	5	125	150	175	2300	48.5
P-8	8	150	175	—	3000	98.0
P-10	10	150	175	—	3000	100.0
P-15	15	175	190	—	6000	295.0
P-20	20	175	190	—	6000	400.0

DIMENSIONS

Model	A	B	C	D	E	F	G	H	I	J	K
P-0.5	190.5	125.5	75.5	155	70	100.5	75·100·125	108	33	28	100
P-1	221	125.5	73.5	172	80	116	75·100·125	112	32	30	104
P-1.6	258.5	143	94	208	98	136	100·125·150	150	52	40	140
P-2	258.5	143	94	208	98	136	100·125·150	150	52	40	140
P-3.1	287.5	144	97	239	115	150	100·125·150	178	65	50	168
P-5	326.5	165.5	123.5	289	125	169	125·150·175	223	75	60	210
P-8	434	176.5	176.5	332	158	220	150·175	246	100	80	233
P-10	434	176.5	176.5	332	158	220	150·175	246	100	80	233
P-15	577	231	231	463	197	295	175·190	272	86	95	247
P-20	577	231	231	463	197	295	175·190	272	86	95	247

- 1) Dimensions for B and C are applied in case of that I-beam width is minimum.
- 2) Dimension K is a little different according to I-beam size.

ADJUSTABLE GEARED TROLLEY



SPECIFICATION

Model	Capacity (ton)	I-beam width			Diameter × pitch of Hand Chain	Min. radius of I-beam (mm)	Net weight (kg)
		No Collars (mm)	With 2 Collars (mm)	With 4 Collars (mm)			
G-0.5	0.5	75	100	125	5×22.5	900	12.0
G-1	1	75	100	125	6×26.6	1100	16.0
G-1.6	1.6	100	125	150	6×26.6	1200	24.5
G-2	2	100	125	150	6×26.6	1200	25.0
G-3.1	3.1	100	125	150	6×26.6	1700	33.5
G-5	5	125	150	175	6×26.6	2300	55.8
G-8	8	150	175	—	5×23.6	3000	107.0
G-10	10	150	175	—	5×23.6	3000	117.0
G-15	15	175	190	—	5×23.6	6000	315.0
G-20	20	175	190	—	5×23.6	6000	420.0
G-30	30	190	—	—	5×23.6	12000	600.0

DIMENSIONS

Model	A	B	C	D	E	F	G	H	I	J	K
G-0.5	190.5	125.5	118.5	164	70	100.5	75·100·125	108	33	28	100
G-1	221	125.5	123.5	187	80	116	75·100·125	112	32	30	104
G-1.6	258.5	143	136	233	98	136	100·125·150	150	52	40	140
G-2	258.5	143	136	233	98	136	100·125·150	150	52	40	140
G-3.1	287.5	144	137	253	115	150	100·125·150	178	65	50	168
G-5	326.5	165.5	165.5	301	125	169	125·150·175	223	75	60	210
G-8	434	188	297.5	308	158	220	150·175	246	100	80	233
G-10	434	188	300.5	308	158	220	150·175	246	100	80	233
G-15	580	231	326	443	197	295	175·190	272	86	95	247
G-20	580	231	329	443	197	295	175·190	272	86	95	247
G-30	933.5	304	444	578	245	600	190	588	185	150	563

- 1) Dimensions for B and C are applied in case of that I-beam width is minimum.
- 2) Dimension K is a little different according to I-beam size.



ELEPHANT CHAIN BLOCK CO.,LTD.

180, Iwamuro 2-chome, Osaka-sayama city, Osaka, Japan
 E-mail : elp_trade@elephant.co.jp
 URL http : //www.elephant.co.jp/english/index.html

※The specification and dimensions may be changed without prior notice for improvement.