

ELECTRIC WIRE WINCH

**DU-212
DU-2K
DU-3K**



**DU-213
DU-213L
DU-214
DU-214L
DU-215
DU-215L**



**DU-202
DU-204
DU-221H
DU-205
DU-208**



**DU-223H
DU-210**



Specifications:

Model	Capacity (Kg)	Power (Voltage)				Wire Rope mm/M	Speed (M/min)		Motor (Hp)
		1Phase	3Phase				50Hz	60Hz	
DU-202	200	220	220	380	440	6 / 30	15	18	0.5
DU-204	250	220	220	380	440	6 / 30	15	18	0.8
DU-221H	250	220	220	380	440	7 / 30	33	40	1.5
DU-205	300	220	220	380	440	7 / 30	15	18	1
DU-208	350	220	220	380	440	7 / 30	15	18	1.5
DU-223H	350	220	220	380	440	7 / 45	38	45	2
DU-210	500	220	220	380	440	8 / 45	21	25	2
DU-212	1000		220	380	440	10 / 45	12	15	3
DU-2K	2000		220	380	440	12 / 45	12	15	5
DU-213	2000		220	380	440	12 / 70	12	15	5
DU-213L	2000		220	380	440	12 / 200	12	15	5
DU-3K	3000		220	380	440	14 / 45	12	15	7.5
DU-214	3000		220	380	440	14 / 70	12	15	7.5
DU-214L	3000		220	380	440	14 / 150	12	15	7.5
DU-215	5000		220	380	440	16 / 70	12	15	10
DU-215L	5000		220	380	440	16 / 120	12	15	10

ELECTRIC WIRE WINCH

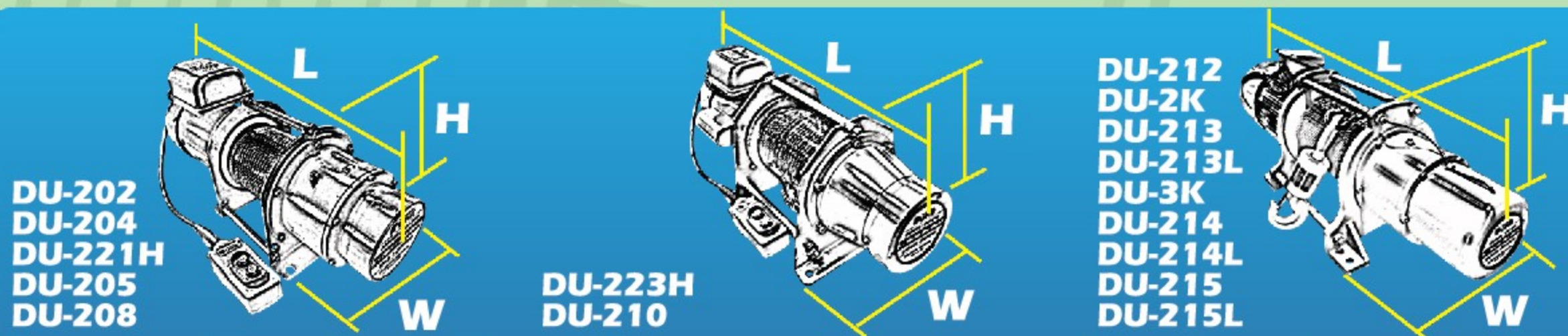
Applications:

Fit for various workplace applications, such as general factories, warehouse, construction, plumbing, and agriculture industries.

Features:

1. Traditional table winch, high durability for both lifting and pulling applications.
2. Induction motor provides high duty work and quiet running volume.
3. Heavy duty high efficiency ball bearing on all running surfaces.
4. Fabricated steel drum.
5. Planetary gearing design guarantees a powerful loadability and durable lifetime usage.
6. Enclosed drum flange to prevent rope from trapped between drum and support castings.
7. 200kg - 500kg winches are eligible to install with an upper hanger for overhung applications.
8. 2000kg - 5000kg winches are equipped with double-brake system to guarantee high safety factor.
9. 2000kg - 5000kg winches are equipped with electromagnetic control box with 10mtr pendant control cable.

Dimensions:



Model	L (mm)	W (mm)	H (mm)	Package Box			Cu.Ft	N.W (Kgs)	G.W (Kgs)
				L(mm)	W(mm)	H(mm)			
DU-202	520	201	233	600	250	280	1.4'	32	33
DU-204	525	201	233	640	250	310	1.7'	34	36
DU-221H	585	201	233	640	250	310	1.7'	41	45
DU-205	580	201	233	640	250	310	1.7'	38	39
DU-208	585	201	233	640	250	310	1.7'	42	43
DU-223H	675	220	283	740	320	330	2.7'	66	71
DU-210	710	310	285	800	400	480	3.5'	76	81
DU-212	1120	385	340	1160	450	400	7.4'	152	175
DU-2K	1190	400	365	1230	450	550	10.8'	171	183
DU-213	1290	590	520	1350	610	690	20.1'	364	392
DU-213L	1415	590	520	1475	610	690	20.1'	436	464
DU-3K	1240	400	365	1290	450	550	11.3'	193	205
DU-214	1350	590	520	1380	610	690	20.6'	375	405
DU-214L	1475	590	520	1505	610	690	20.6'	442	472
DU-215	1450	590	520	1500	450	690	22.3'	395	426
DU-215L	1575	590	520	1820	690	850	22.3'	453	484