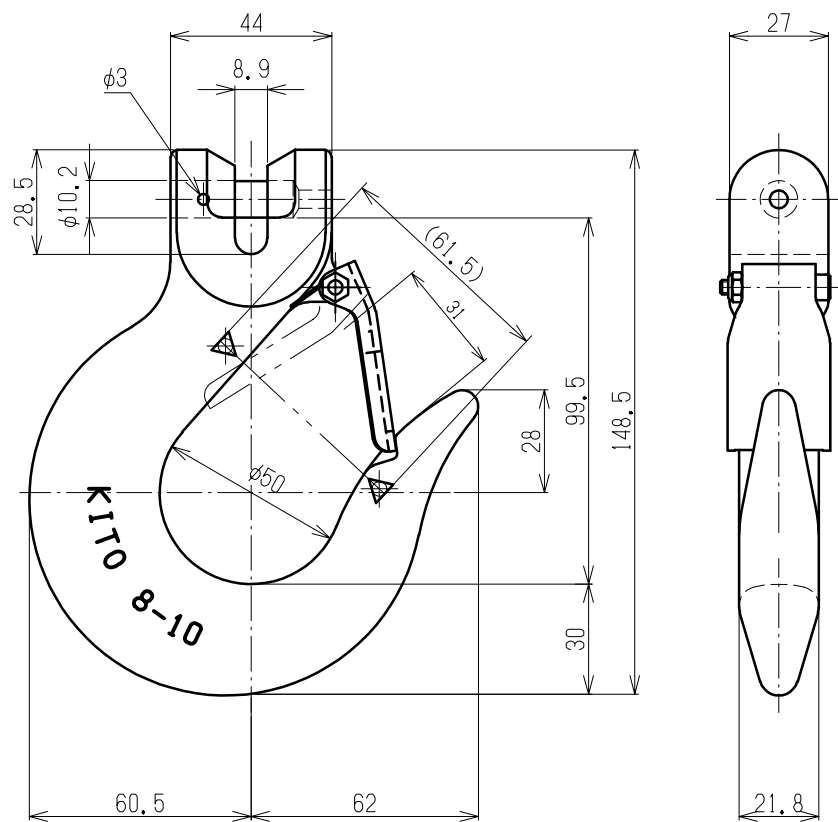


REV.	QTY	C O N T E N T S	DATE	DRAWN	APPROVED
1	-	エンボス形状, 型式変更, 図番末尾1→2	2018.12.07	M. Aruga	H. Higuchi



APPROVED	CHECKED	DESIGNED	DRAWN	TITLE			
T. Hatano	A. Naito	T. Ozawa	T. Ozawa	Sling Hook VSL スリングフックVSL			
2013.05.17	2013.05.17	2013.05.17	2013.05.17	CODE	VSL4080	SCALE	
<b>KITO</b>				DWG. NO.	P3VS080-12482Z	REV.	1