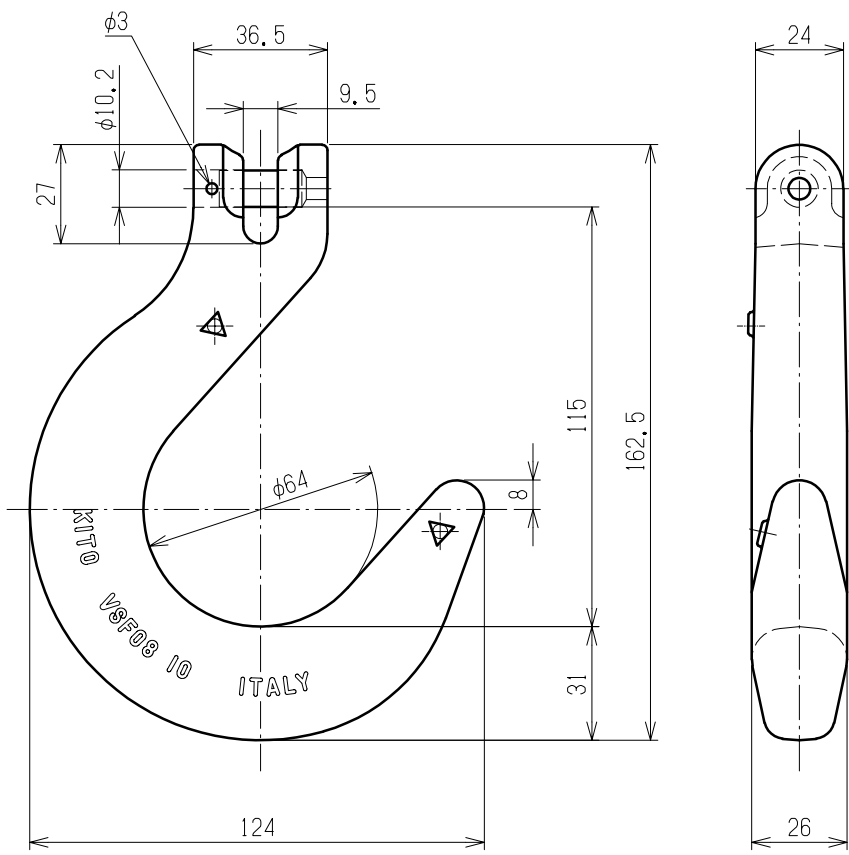


REV.	QTY	C O N T E N T S				DATE	DRAWN	APPROVED



APPROVED	CHECKED	DESIGNED	DRAWN	TITLE			
H. Higuchi	T. Ozawa	M. Aruga	M. Aruga	Foundry hook VSF ファンドリフック VSF			
2019.01.11	2019.01.11	2019.01.11	2019.01.11	CODE	VSF08	SCALE	1:2
KITO				DWG. NO.	P5VSF08090011Z	REV.	0