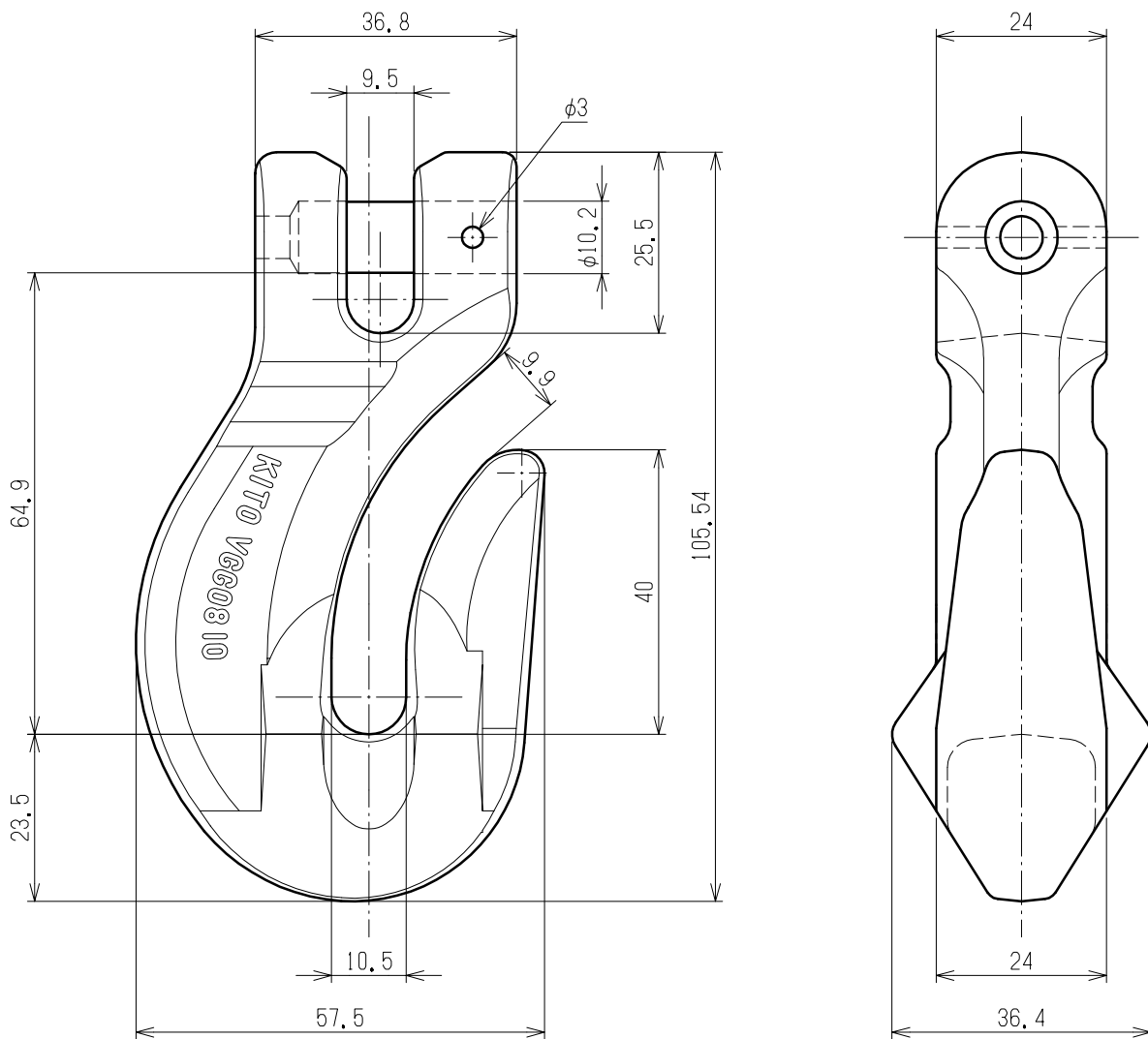


REV.	QTY	C O N T E N T S			DATE	DRAWN	APPROVED



APPROVED	CHECKED	DESIGNED	DRAWN	TITLE			
H. Higuchi	T. Ozawa	M. Aruga	M. Aruga	Grab hook VGG クラブフック VGG			
2019.01.11	2019.01.11	2019.01.11	2019.01.11	CODE	VGG08	SCALE	1:1
KITO				DWG. NO.	P5VGG08091011Z	REV.	0