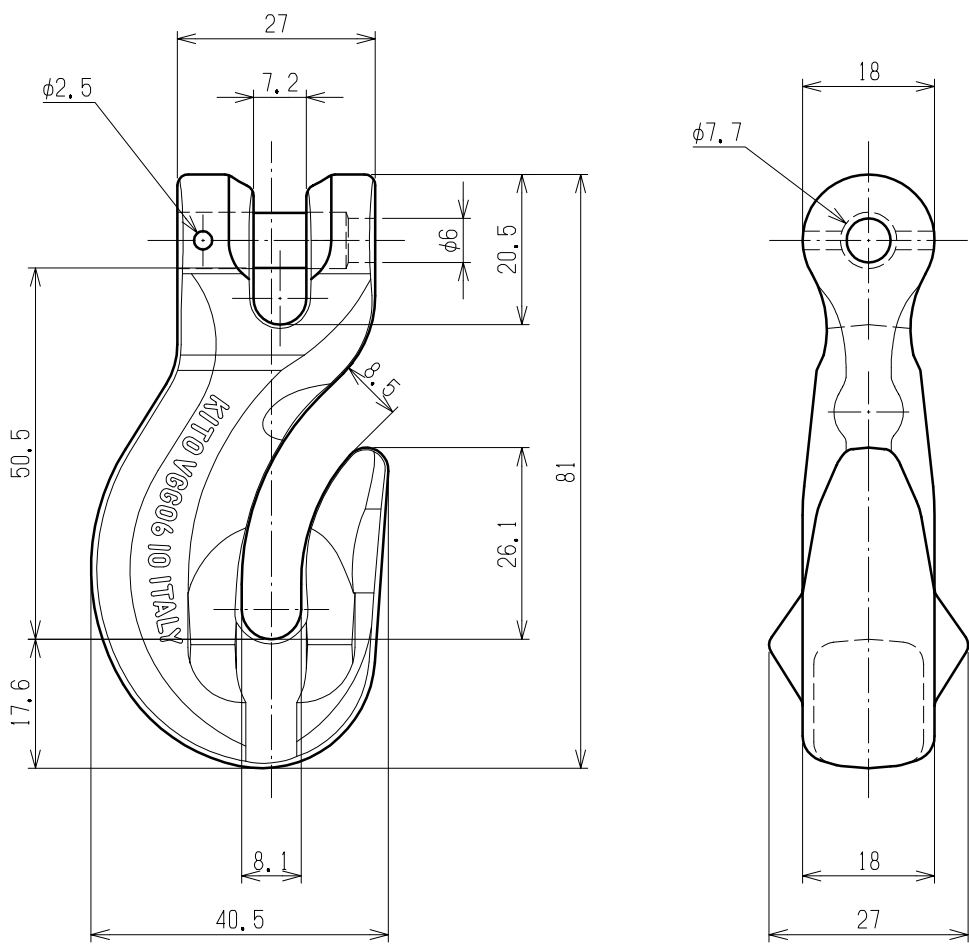


REV.	QTY	C O N T E N T S				DATE	DRAWN	APPROVED



APPROVED	CHECKED	DESIGNED	DRAWN	TITLE			
H. Higuchi	T. Ozawa	M. Aruga	M. Aruga	Grab hook VGG Grabフック VGG			
2019.01.11	2019.01.11	2019.01.11	2019.01.11	CODE	VGG06	SCALE	1:1
<b>KITO</b>				DWG. NO.	P5VGG06090011Z	REV.	0