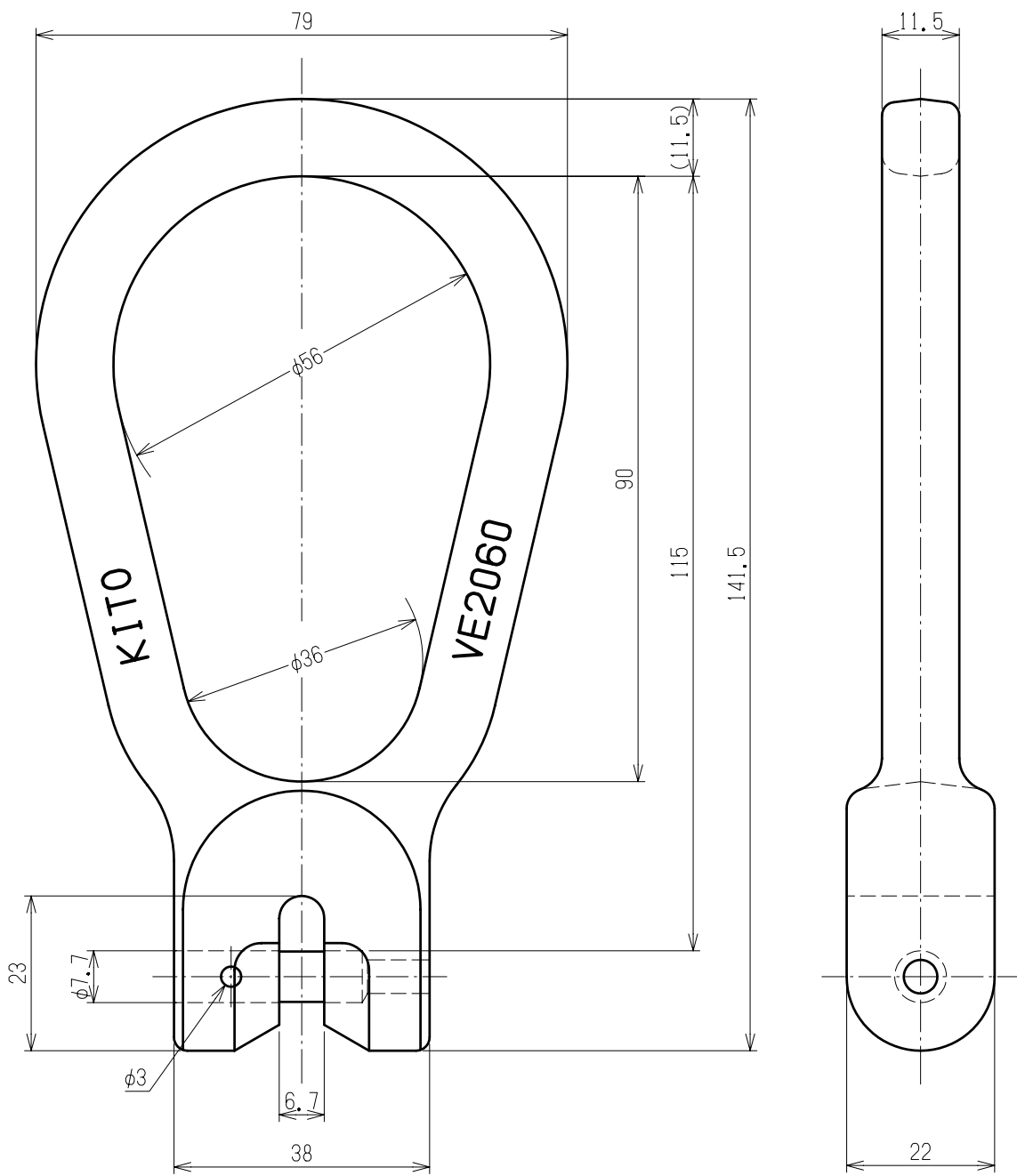


REV.	QTY	C O N T E N T S		DATE	DRAWN	APPROVED



APPROVED	CHECKED	DESIGNED	DRAWN	TITLE			
T. Hatano	A. Naito	T. Ozawa	T. Ozawa	Master Ring VE ツリカナゲVE			
2013. 05. 17	2013. 05. 17	2013. 05. 17	2013. 05. 17	CODE	VE2060	SCALE	
KITO				DWG. NO.	P3VE060-92151Z	REV.	1:1