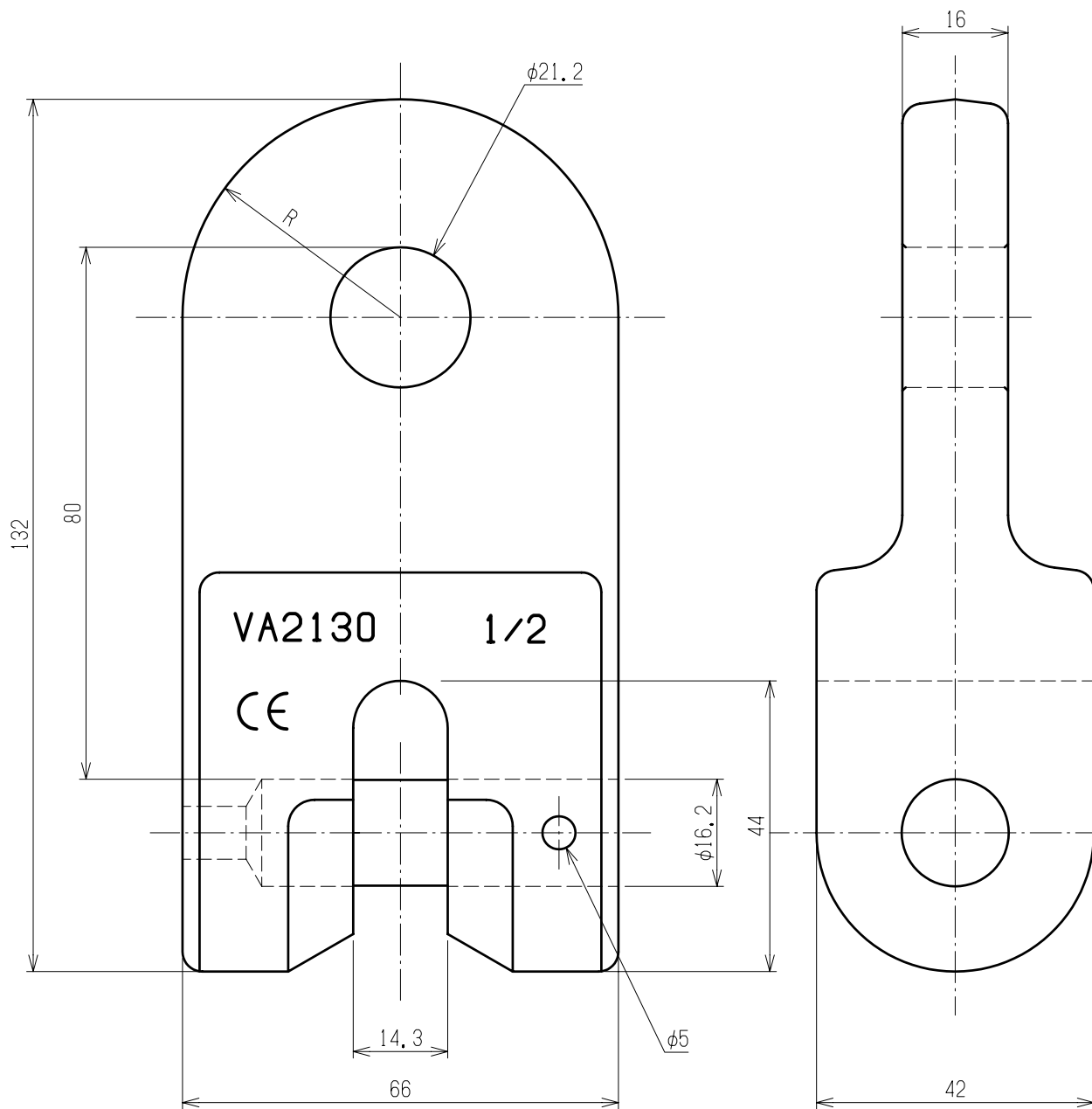


REV.	QTY	C O N T E N T S			DATE	DRAWN	APPROVED



APPROVED	CHECKED	DESIGNED	DRAWN	TITLE			
T. Hatano	A. Naito	T. Ozawa	T. Ozawa	Single Connector VA ツナギカナグVA			
2013.05.17	2013.05.17	2013.05.17	2013.05.17	CODE	VA2130	SCALE	1:1
<b>KITO</b>				DWG. NO.	P3VA130-92111Z	REV.	