

UGC-M

UNIVERSAL LIFTING CLAMP FOR CONCRETE MATERIAL (Adjustable Clamp Range Type)

Features

- Ideal for handling and laying U shaped gutters, lids, edge stones, blocks.
- With clamp claw thickness of 9mm, the clearance between the materials can be easily set.
- By changing the toggle pins locations, the clamp range can be easily adjusted.
- The clamp claw teeth provide a firm grip that prevents slipping.
- The design of the clamp claws has been improved to prevent material corner from getting nicked during lifting.

Example of use



Lifting with a crane (UGC150M)

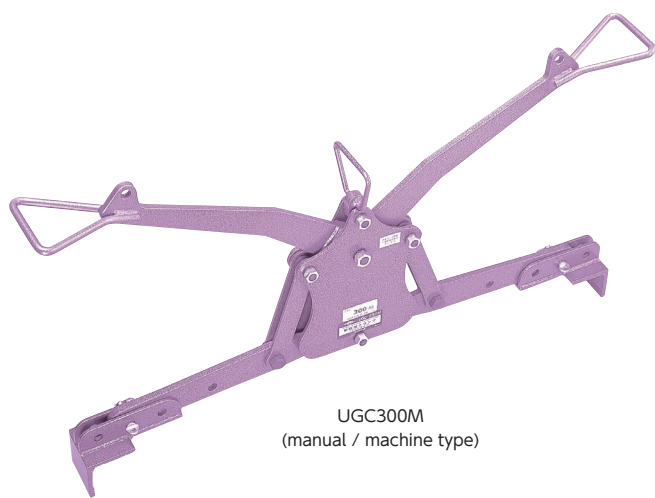


U shaped gutters can be clamped at both ends for easy handling and laying.

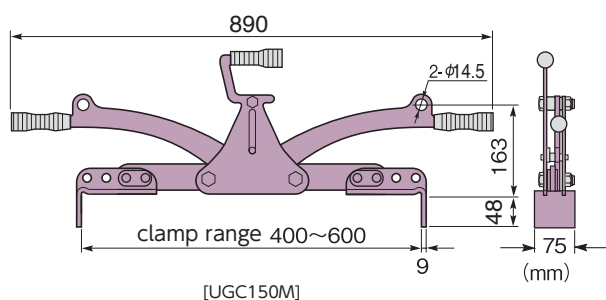
As the U shaped gutter is clamped from inside, the clamp doesn't interfere with the alignment levelling strings.



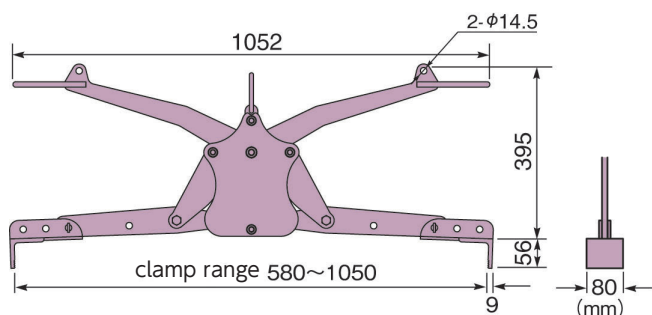
UGC150M
(manual / machine type)



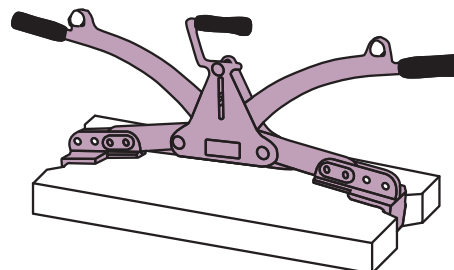
UGC300M
(manual / machine type)



[UGC150M]



[UGC300M]



Ideal for lifting gutter lid.

Item No.	Rated capacity(kg)	Clamp range(mm)	N.W.(kg)
UGC150M	150	400~ 600	9
UGC300M	300	580~1050	17

Cam types, pad types

Manual, machine types

Adjustable clamp range types, balances

Internal expanding lifting clamps for U shaped gutter

Batch lifting clamps for bank block