

1 2 3 4 5 6 7 8 9

A

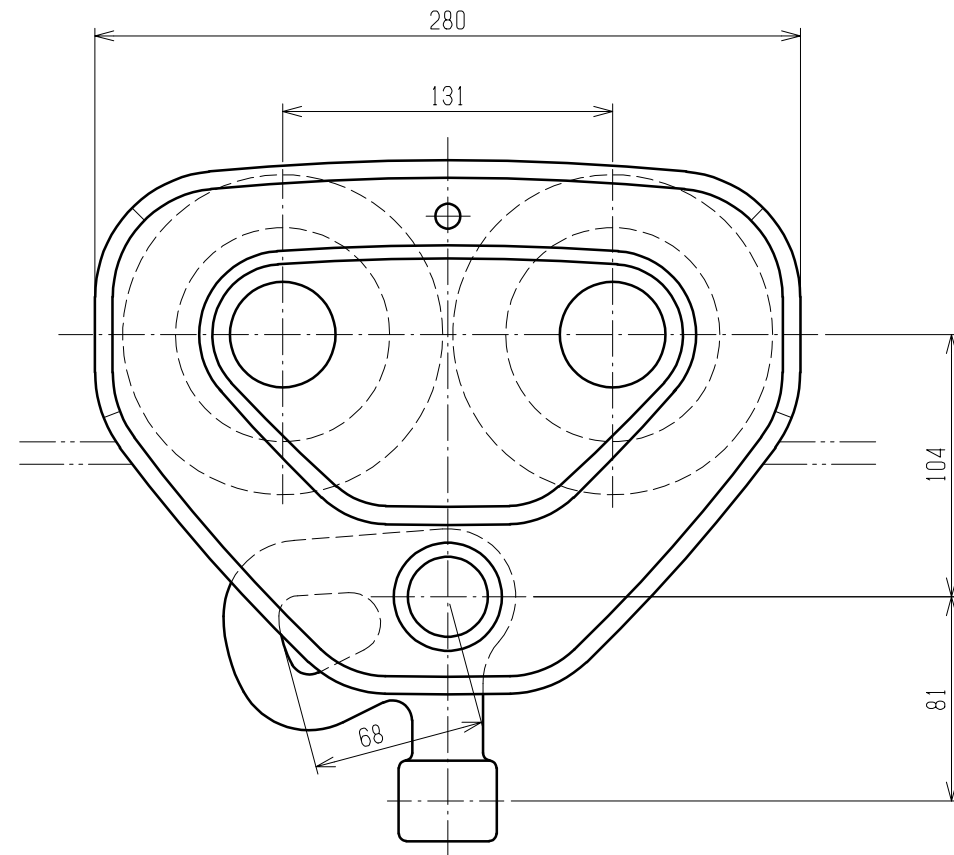
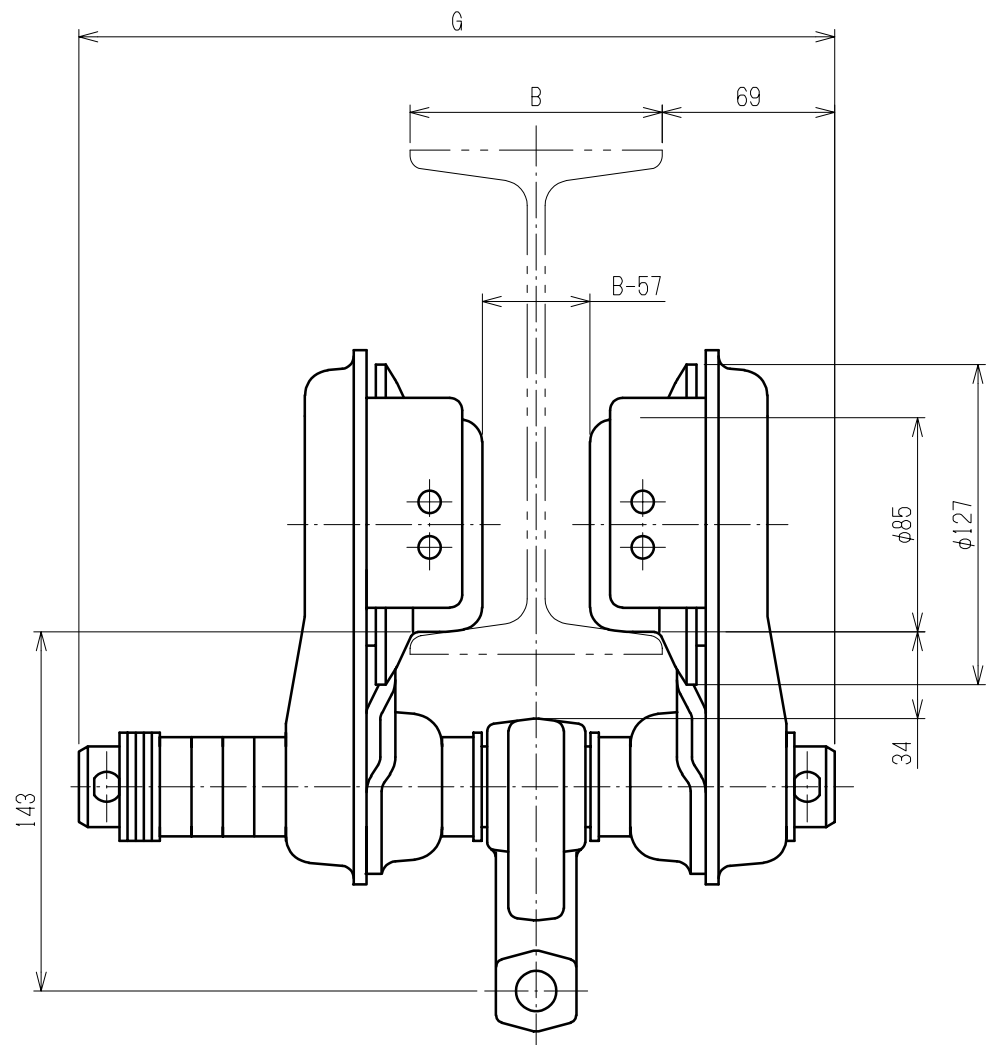
B

C

D

E

F



Particulars			
Nominal Capacity	2 t		
Min. Radius for Curve	1500 mm		
Flange Width	: B	* 82~153mm	154~305mm
Max. Dimension of Trolley Width	: G	300 mm	450 mm
Mass	14 kg		

Note:
 For Manual Chain Hoist
 The trolley can be installed on either tapered or flat flange.
 Mass is when the flange width is assumed to be as marked (*).

REV.	QTY	C O N T E N T S	DATE	DRAWN	APPROVED	APPROVED	CHECKED	DESIGNED	DRAWN
						T, Hiroshima	T, Ogata	M, Ono	M, Ono
						2024, 04, 26	2024, 04, 26	2024, 04, 26	2024, 04, 26

TITLE			
2t TS SERIES PLAIN TROLLEY			
CODE	TSP020	SCALE	1:3
DWG. NO.	T7PF020-12100	REV.	0

