

» Original Twist Cam System

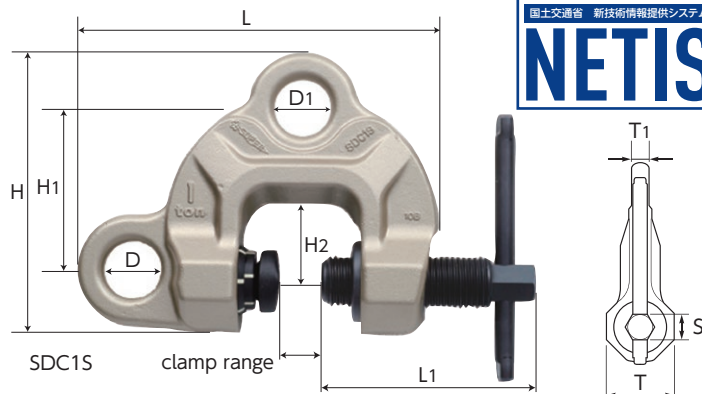
SDC-S

SCREW CAM CLAMP (Double Eye Type)
Twist Cam Type PAT.

CHECK!

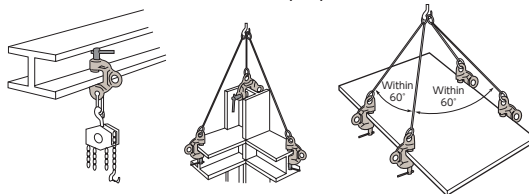


Operation manual, parts drawing and movie

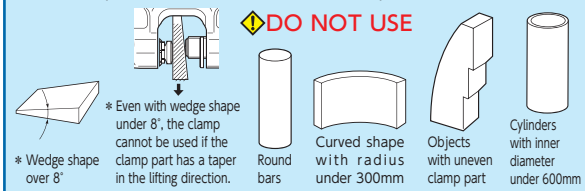


Example of use

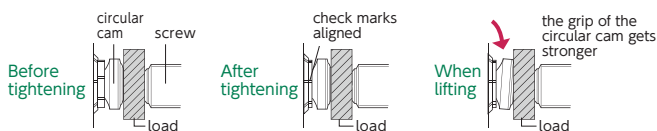
⚠ Always lift a load at 2 or more points for safety.
In case of lifting down, cannot be set to slanted-shape part such as steel I beams.



*Common to all the screw cam clamps (SCC, SCC-W, SDC-S, SJC-S, SDC-N, SDC-WN, SJC, SUC, SWC-N, SSC-N, SWC-S).
● The clamp cannot be used for the load shapes described below.



Visual safety check



Features

- All-purpose clamp that can be used for a variety of operations such as lifting up and down, lateral pulling and turning over.
- Adequacy of tightening can be visually confirmed by secure and safe structure of the twist cam.
- The tightening mechanism with a screw and a circular cam (special spring type) provides sure clamping force on a load even when the load is landed or when vibrations occur during the lifting operation.
- The tightening check marks have phosphorescent (glow in the dark) paint for easy visual recognition.

Item No.	Rated capacity (ton)	Clamp range (mm)	Size (mm)										N.W. (kg)
			L	L1	H	H1	H2	D	D1	T	T1	S	
SDC0.5S	0.5	0~25	158	89	121	71.5	30	27	27	46	13	17	1.9
SDC1S	1	0~40	208	121	161	94	45	32	32	54	14	21	3.6
SDC2S	2	0~40	227	121	177	105	45	36	32	60	18	21	4.8
SDC3.2S	3.2	0~40	252	136	196	118.5	50	45	35	64	20	21	7
SDC6.3S	6.3	0~50	291	152	225	132	55	50	41	90	43	21	16

Note : After having checked that the check marks are aligned, operate tightening over 25N·m (approx. 250kgf·cm).

» Normal Type

SDC-N · SDC-WN

SCREW CAM CLAMP (Double Eye Type)

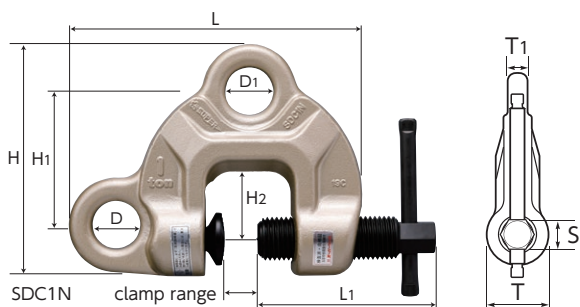
CHECK!



Operation manual & parts drawing

Example of use · Features

* The features (except the twist cam with check marks) and the examples of use are the same as SDC-S.



Item No.	Rated capacity (ton)	Clamp range (mm)	Size (mm)										N.W. (kg)
			L	L1	H	H1	H2	D	D1	T	T1	S	
SDC0.5N	0.5	0~25	145.5	89	119	68.5	30	27	27	46	15	21	2.0
SDC1N	1	0~40	199	121	157	90	45	32	32	50	16	21	3.4
SDC1.5WN	1.5	10~50	214	121	164	96	45	36	32	50	18	21	6.0
SDC2N	2	0~40	215	121	168.5	96	45	36	32	55	19	21	4.5
SDC3N	3	0~40	236.5	136	180.5	103	50	45	35	60	20	21	5.9
SDC3WN	3	35~75	269.5	136	190.5	113	50	45	35	60	20	21	7.8
SDC5N	5	0~50	270	152	215	123	55	50	37	80	43	21	13.3

Note : For the torque value of the screw tightening, operate tightening over 25N·m (approx. 250kgf·cm).

* Parts drawings and operation manuals can be downloaded from our website.
● For all the appendix, please refer to P.54 ~56