



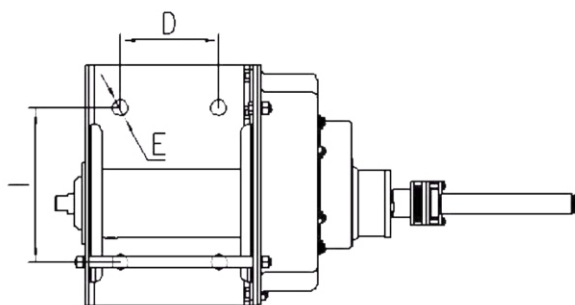
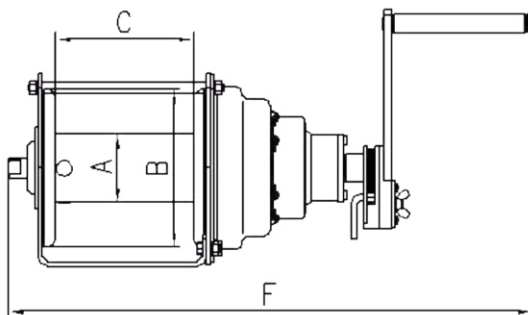
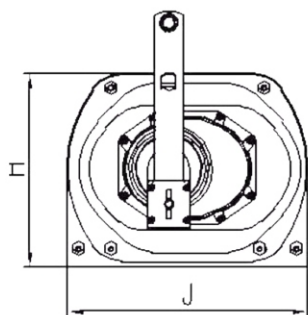
RIKEN

Specialized manufacturer of the best Brake Hand Winch

PNW HAND WINCH

Features

- Compact design
- Ergonomic rubber handle
- Multiple frame mounting positions
- Solid machined gear
- Dual cable anchor point
- Drill drive adapter standard on stainless steel. Optional on carbon steel
- Automatic weatherproof weston style load brake
- High gear ratio
- Test certificate & serial number
- For lifting or pulling/tensioning
- Left hand version of stainless steel winch available



All dimensions shown are in mm



Model		PNW-500	PNW-1000	PNW-2000	PNW-3000
Capacity		500KG	1000KG	2000KG	3000KG
Safe Working Load (Ton)		0.5	1	2	3
Hand Pressure Load (N)		122	114	123	158
Cable Diameter x Drum Winding Capacity (mm x m)		Φ6×40	Φ8×40	Φ9×40	Φ12.5×40
Gear Ratio		4.33:1	12.19:1	22.68:1	29.16:1
Winding Length per Turn (mm)		48.2	22.6	15.4	14.2
(mm)	A	Φ60	Φ76	Φ90	Φ100
	B	Φ140	Φ175	Φ190	Φ230
	C	150	154	195	205
	D	100	110	155	155
	E	Φ15	Φ18	Φ18	Φ18
	F	403	443	490	549
	H	182	214	230	296
	I	130	170	170	170
	J	245	266	300	365
Net Weight (Kg)		14.4	19.7	25.1	44.3