

Optimal for 2 x 4 Wood & Housing Panel

PTC200

LIFTING CLAMP FOR 2 X 4 PANEL (Wide Type)

CHECK!



Operation manual & parts drawing

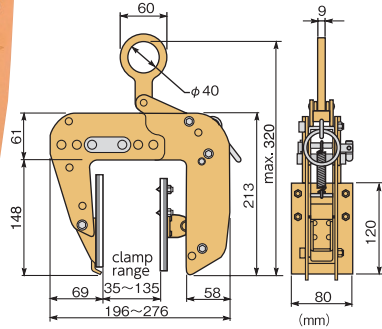
Example of use ⚠ Always use this clamp in pair with a balance.



Remotely controllable opening mechanism included



Also usable for soundproof walls



Features

- Ideal for lifting and installing wooden panels and especially 2 X 4 housing panels.
- The tightening lock can be released remotely, avoiding dangerous operations in high places.

* Do not use for ALC panels, extruded cement panels.

Accessories

- Rope for remote control (1.5m) included

Item No.	Rated capacity (kg)	Clamp range - 5 steps adjustment (mm)	N.W. (kg)
PTC200	200	35~ 55	4
		55~ 75	
		75~ 95	
		95~115	
		115~135	

Lifting clamps for formwork / panel

Lifting clamps for panel / beam, lifting clamps dedicated for wooden beam

Balance sets, balances, panel pullers

Lifting clamps for ALC panel, lifting clamps for extruded cement panel

Optimal for 2 x 4 Wood & 2 x 6 Wood

PTC250

LIFTING CLAMP FOR PANEL / BEAM (Super Wide Type)

CHECK!



Operation manual & parts drawing

Example of use ⚠ Always use this clamp in pair with a balance.

Wooden Beam lifting



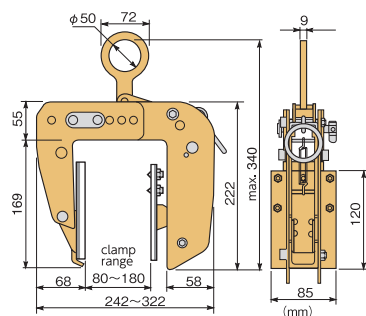
Panel lifting



Remotely controllable opening mechanism included



Also usable for soundproof walls



Features

- Ideal for lifting and installing wooden panels, and especially 2 x 4 and 2 x 6 housing panels, and for lifting and moving wooden beams.
- The tightening lock can be released remotely, avoiding dangerous operations in high places.

* Do not use for ALC panels, extruded cement panels.

Accessories

- Rope for remote control (1.5m) included

Item No.	Rated capacity (kg)	Clamp range - 5 steps adjustment (mm)	N.W. (kg)
PTC250	250	80~100	5.8
		100~120	
		120~140	
		140~160	
		160~180	

* Parts drawings and operation manuals can be downloaded from our website.
 ● For all the appendix, please refer to P.54 ~56