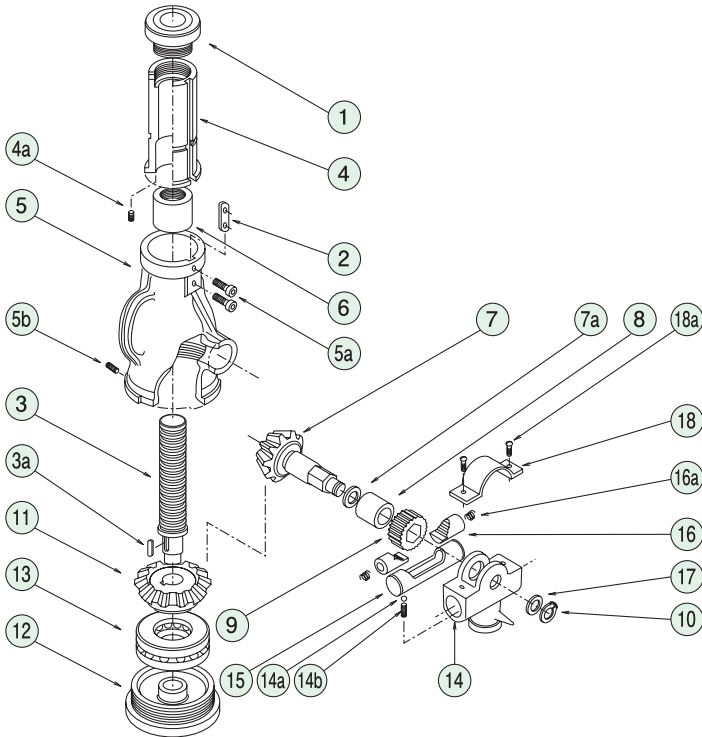
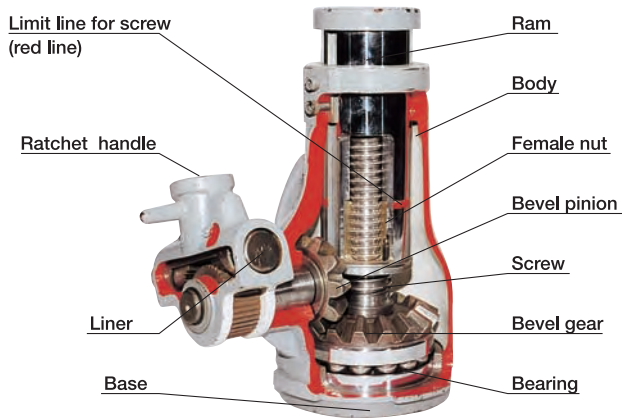


JJ/AJ Parts List

OJ Journal Jack JJ type (100~500kN)

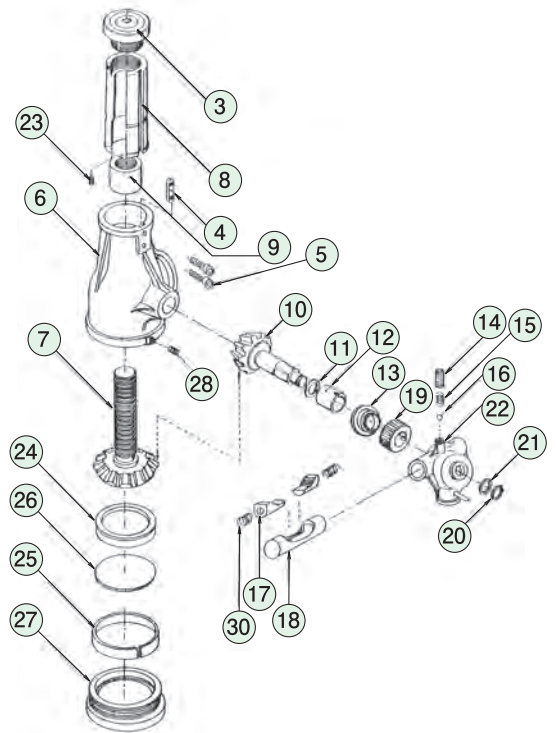
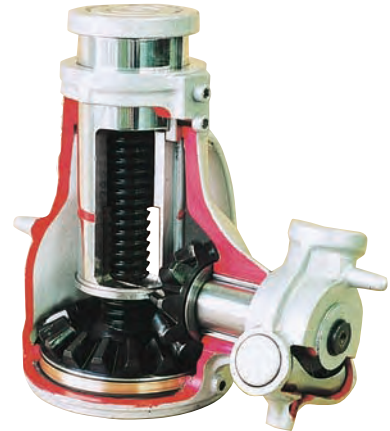


Parts List

No.	Parts Name	Q'ty	Remarks	No.	Parts Name	Q'ty	Remarks
1	Head	1		11	Bevel gear	1	
2	Key	1	Ram	12	Base	1	
3	Screw	1		13	Bearing	1	
3a	Key *	1	Screw	14	Ratchet case	1	
4	Ram	1		14a	Steel ball	1	
4a	Knock	2	Female nut	14b	Spring	1	
5	Body	1		15	Liner	1	
5a	Key bolt	2		16	Plunger	2	
5b	Knock	1	Base	16a	Spring	2	
6	Female nut	1		17	Washer	1	
7	Bevel pinion	1		18	Cover	1	
7a	Pinion washer	1		18a	Machine screw	2	
8	Pinion bush	1					
9	Ratchet wheel	1					
10	Snap ring	1	JIS				

※ Key (3a) 2 pcs. only for 500kN jack.

Aluminum Jack AJ type



Parts List

No.	Parts Name	Q'ty	No.	Parts Name	Q'ty
3	Head	1	17	Plunger	2
4	Key	1	18	Liner	1
5	Hex. bolt	2	19	Wheel	1
6	Body	1	20	Stopper	1
7	Screw with gear	1	21	Washer	1
8	Ram	1	22	Ratchet case	1
9	Female nut	1	23	Hex. screw	2
10	Pinion gear	1	24	Spacer	1
11	Clear washer	1	25	Bush	1
12	Pinion bush	1	26	Pad	1
13	Cap	1	27	Base	1
14	Hex. set screw	1	28	Hex. set screw for base knock	1
15	Spring	1	30	Spring	2
16	Steel ball	1			