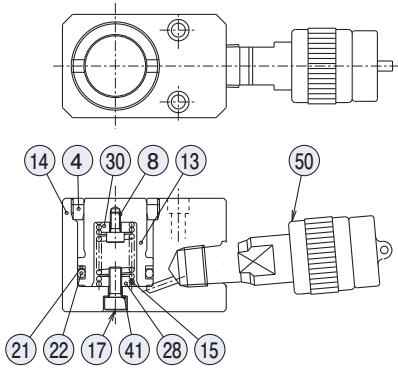
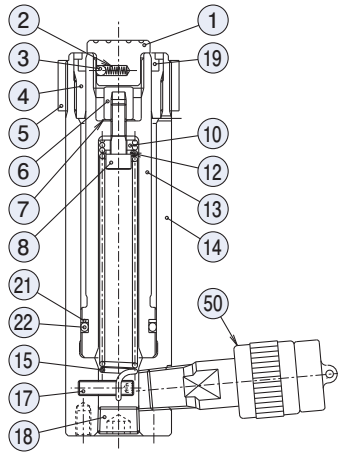


E series list of parts drawings

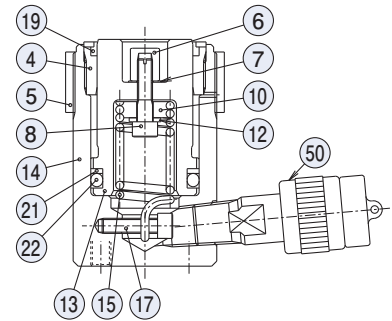


E5S1.5

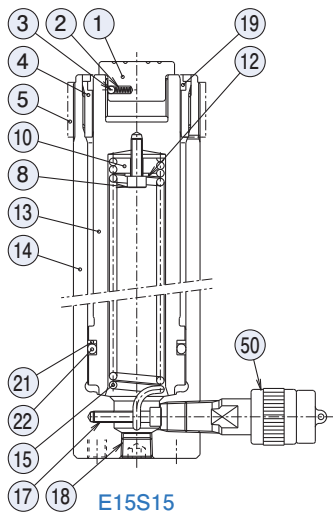


E5S7.5

E5S2.5~E5S18
E15S2.5 E23S2.5

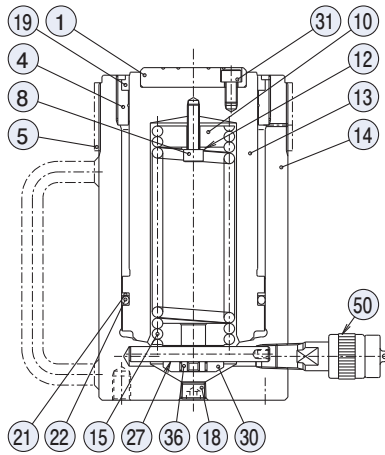


E10S2.5



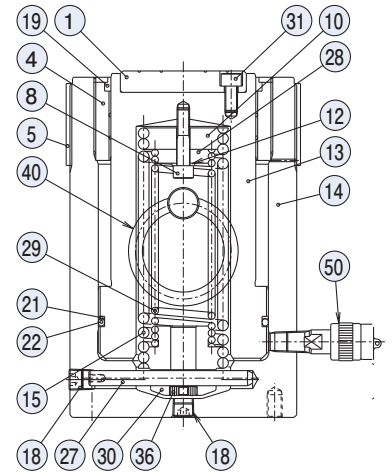
E15S15

E10S5~E10S30
E15S5~E15S35
E23S5~E23S34.5*
E30S12.5 E30S20*



E50S10 (With handle)

E50S5
E50S10 E50S16 (With handle)



E100S10

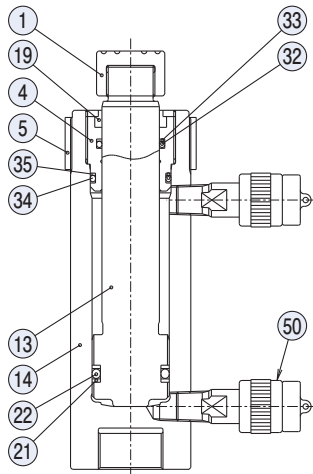
E50S32
E70S15 E70S33
E100S10 E100S20 of No.18 two pcs.

Warning: Jack marked with ※ No.17 (Bolt B) will become No.27 (Spring hanger) Regarding it's shape, please refer to No.27 on right figure.

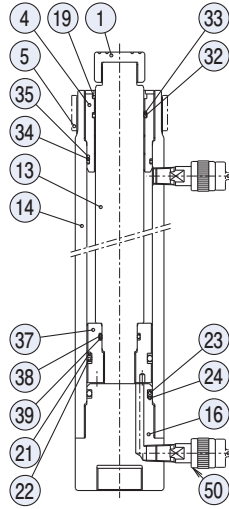
Parts lists (E※S※type)

No.	Parts name	Q'ty	No.	Parts name	Q'ty	No.	Parts name	Q'ty
1	Saddle	1	12	Washer	1	27	Spring hanger	1
2	Spring-C	1	13	Piston rod	1	28	Spring holder-B	1
3	Steel ball	1	14	Cylinder tube	1	29	Spring-B	1
4	Rod cover	1	15	Spring-A	1	30	Spring holder-C	1
5	Thread protector	1	17	Bolt-B	1	31	Bolt-C	4
6	Cap nut	1	18	Plug	1or2	36	Bushing	1
7	Gasket	1	19	Dust seal	1	40	Carry ring	2
8	Bolt-A	1	21	Back up ring	1	41	Gasket-B	1
10	Spring holder	1	22	O-ring	1	50	Coupler	1

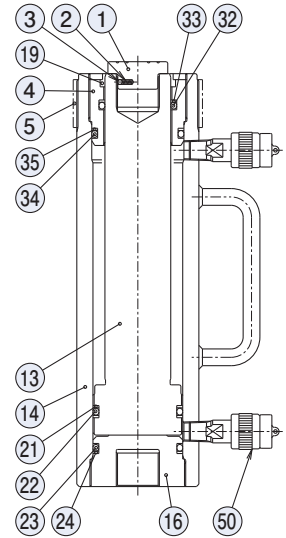
E series list of parts drawings



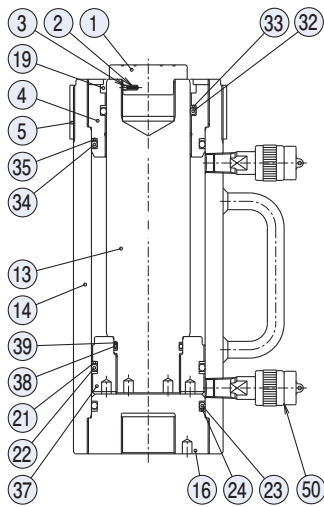
E10H8
E5H3~E5H15
E10H3~E10H25
E20H5~E20H25



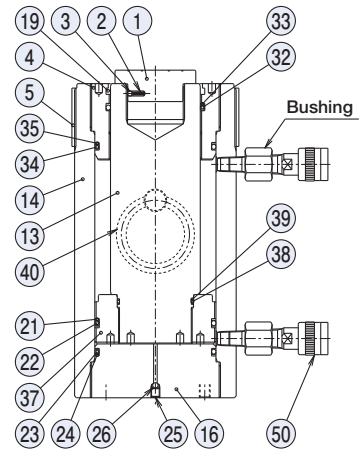
E20H50



E30H20
E30H35



E50H15 (with handle)
E50H35 E50H50 (With carry ring)
E70H15 E70H35 (With carry ring)

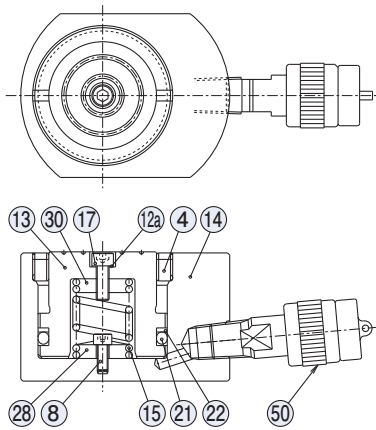


E100H35
E200H35

Parts lists (EH**type)**

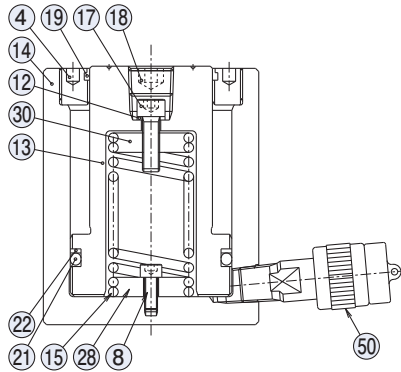
No.	Parts name	Q'ty	No.	Parts name	Q'ty	No.	Parts name	Q'ty
1	Cap or saddle	1	19	Dust seal	1	33	Back up ring	1
2	Spring-C	1	21	Back up ring	2	34	O-ring	1
3	Steel ball	1	22	O-ring	1	35	Back up ring	1
4	Rod cover	1	23	O-ring	1	37	Piston	1
5	Thread protector	1	24	Back up ring	1	38	O-ring	1
13	Piston rod	1	25	Screw	1	39	Back up ring	2
14	Cylinder tube	1	26	Steel ball	1	40	Carry ring	2
16	Jack end	1	32	O-ring	1	50	Coupler+Bushing(E100H35 Above)	2

E series list of parts drawings



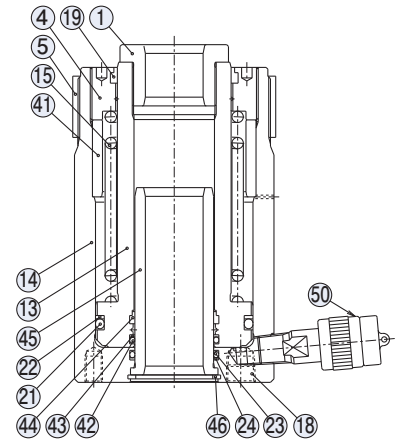
EF20S1.5

EF10S1.1~EF50S1.5
EL10S3.5 EL20S4.5
EF100S1.5 (With handle)



EL30S6

EL50S6
EL100S5.5 (With Carry ring)

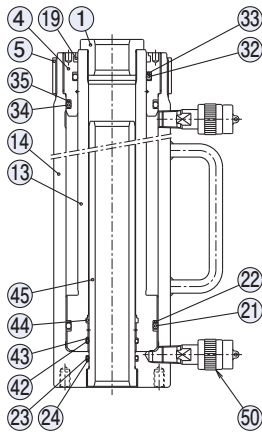


EC30S6

EC12S4 (With No.46) EC12S7.5
EC20S5 (With No.46)
EC20S15 (With handle)
EC30S15 (With handle)

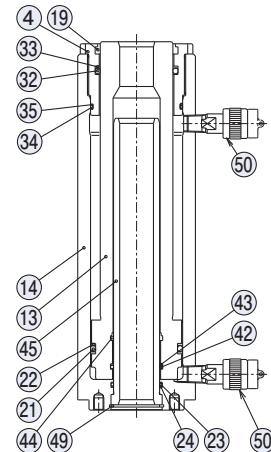
Parts listes (ELS**, EF**S**, EC**S** type)**

No.	Parts name	Q'ty	No.	Parts name	Q'ty	No.	Parts name	Q'ty
1	Saddle	1	17	Bolt-B	1	41	Stopper ring	2
4	Rod cover	1	18	Pulg	1	42	O-ring	1
5	Thread protector	1	19	Dust seal	1	43	Back up ring	1
8	Bolt-A	1	21	O-ring	1	44	Dust seal-B	1
12	Washer	1	22	Back up ring	1	45	Hollow rod	1
12a	Gasket-B	1	23	O-ring	1	46	Retaining ring	1
13	Piston rod	1	24	Back up ring	1	50	Coupler	1
14	Cylinder tube	1	28	Spring holder-B	1			
15	Spring-A	1	30	Spring holder-C	1			



EC30H25 (With handle)

EC30H15 EC60H25 (With Carry ring)
EC90H25 (With Carry ring)
EC100H4 EC140H20 (Without No.5) (With Carry ring)



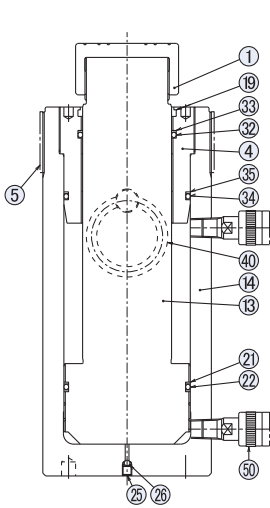
EC30H20

EC50H25 EC100H15
EC100H30 EC200H15 EC200H35

Parts listes (ECH** type)**

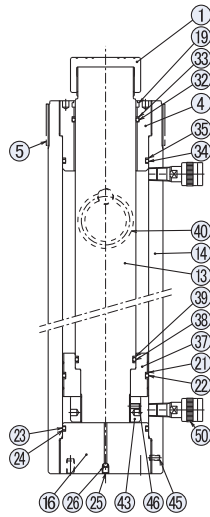
No.	Parts name	Q'ty	No.	Parts name	Q'ty	No.	Parts name	Q'ty
1	Saddle	1	23	O-ring	1	43	Back up ring	1
4	Rod cover	1	24	Back up ring	1	44	Dust seal-B	1
5	Thread protector	1	32	O-ring	1	45	Hollow rod	1
13	Piston rod	1	33	Back up ring	1	49	Retaining ring	1
14	Cylinder tube	1	34	O-ring	1	50	Coupler+Bushings(EC90H25 above)	2
19	Dust seal	1	35	Back up ring	1			
21	O-ring	1	40	Carry ring	2			
22	Back up ring	2	42	O-ring	1			

E series and SA Water pressure jacks list of parts drawings

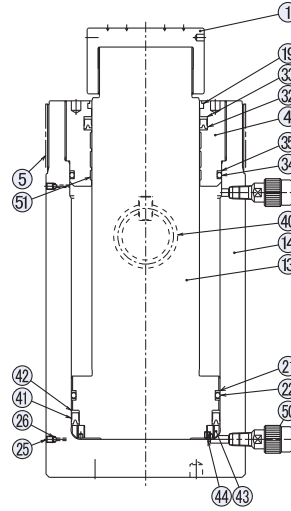


ET100H15

ET50H5 (Without No.25・26)
 ET50H10 (Without No.25・26)
 ET100H5 ET100H30

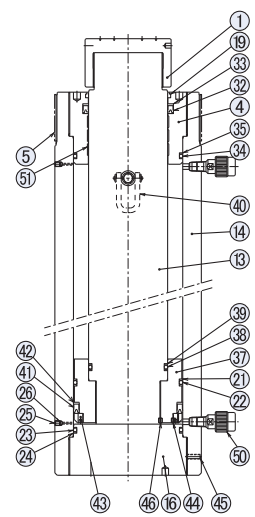


ET100H50



ET300H30

ET200H15 ET200H30
 ET500H30

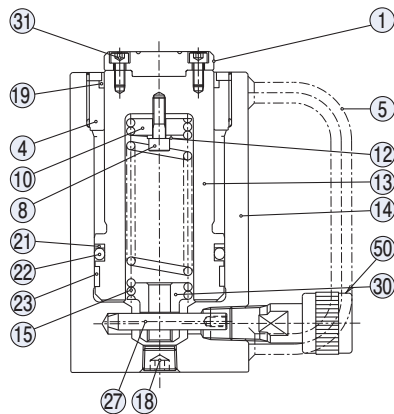


ET300H50

ET200H50 ET200H100
 ET300H100
 ET500H50 ET500H100

Parts listes (EL***S***、EF***S***、EC***S***type)

No.	Parts name	Q'ty	No.	Parts name	Q'ty	No.	Parts name	Q'ty
1	Head	1	24	Back up ring	1	40	Carry ring	2
4	Rod cover	1	25	Screw	2	41	Piston packing	1
5	Thread protector	1	26	Steel ball	2	42	Back up ring	1
13	Piston rod	1	32	U-packing	1	43	Piston nut	1
14	Cylinder tube	1	33	Back up ring	1	44	Hexagon socket set screw	1
16	Jack end	1	34	O-ring	1	45	Hexagon socket set screw	1
19	Dust seal	1	35	Back up ring	1	46	Hexagon socket set screw	1
21	Back up ring	2	37	Piston	1	50	Couplings	2
22	O-ring	1	38	O-ring	1	51	Wear ring	3
23	O-ring	1	39	Back up ring	2			



SA22S5

SA10S5 SA10S10
 SA22S10 SA50S5

Parts listes (SA***S***type)

No.	Parts name	Q'ty	No.	Parts name	Q'ty
1	Saddle	1	18	Pulg	1
4	Rod cover	1	19	Dust seal	2
5	Handle	1	21	Back up ring	2
8	Hexagon socket bolt	1	22	O-ring	1
10	Spring holder-A	1	23	Wear ring	1
12	Washer	1	27	Spring hanger	1
13	Piston rod	1	30	Spring holder-B	1
14	Cylinder tube	2	31	Hexagon socket bolt	1
15	Spring	1	50	Coupler	1