

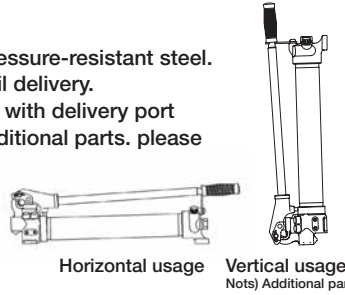
TWA type Hand Pumps

Model number	TWA-0.3
Hand pump	
Usable oil volume (ℓ)	

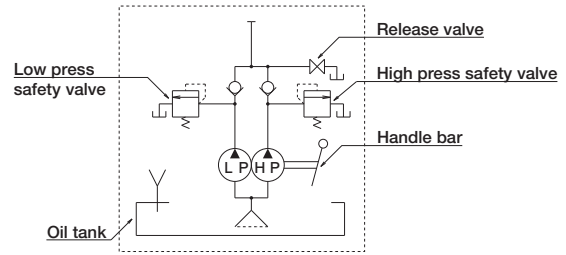
for single-acting jacks (low-pressure relief)

Features

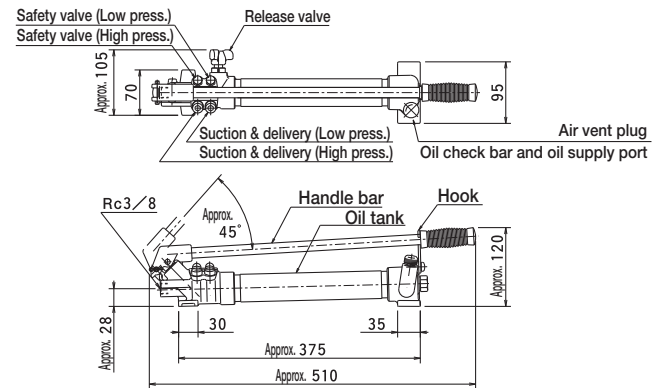
- Pump body is made of a special, pressure-resistant steel.
- High and low pressure, two-stage oil delivery.
- For horizontal usage. Vertical usage with delivery port downward is possible by adding additional parts. please contact us for further information.



Hydraulic circuit diagram (Low-pressure relief type)

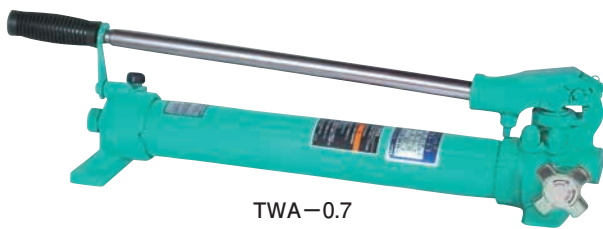
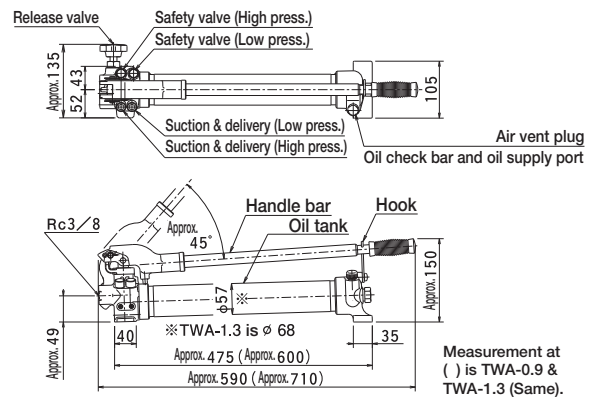


Dimensional drawing



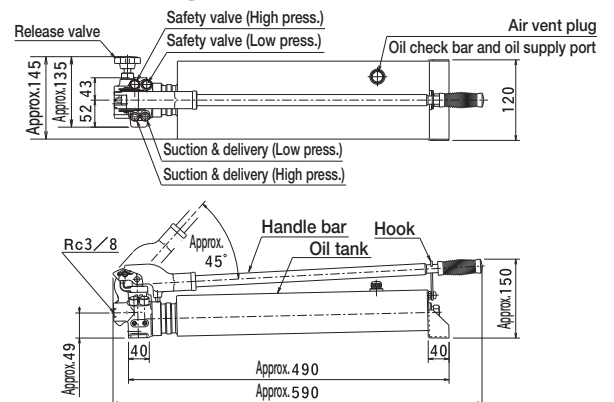
TWA-0.3

Dimensional drawing



TWA-0.7

Dimensional drawing



TWA-2

Specifications

Model	Items	Usable oil volume (ℓ)	Working pressure (MPa)		Oil delivery (mℓ/stroke)		Connection port	Weight approx. (kg)
			High	Low	High	Low		
TWA-0.3		0.3	72	3	1	5	NPT3/8 or Rc3/8	3.5
TWA-0.7		0.7						6.6
TWA-0.9		0.9						7.8
TWA-1.3		1.3						8.5
TWA-2		2						10.0

Note) Use ISO VG10 hydraulic working oil or equivalent oil.

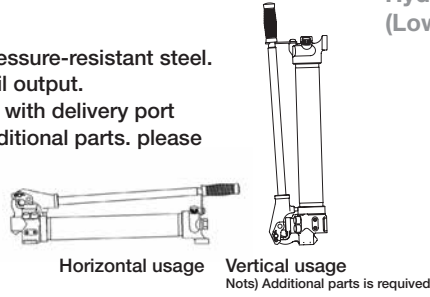
TWA type Hand Pumps

for single-acting jacks (low-pressure relief)

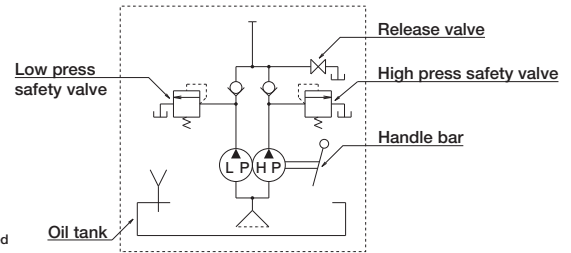
Model number	TWA	4
Hand pump		
Usable oil volume (ℓ)		

Features

- Pump body is made of a special, pressure-resistant steel.
- High and low pressure, two-stage oil output.
- For horizontal usage. Vertical usage with delivery port downward is possible by adding additional parts. please contact us for further information.

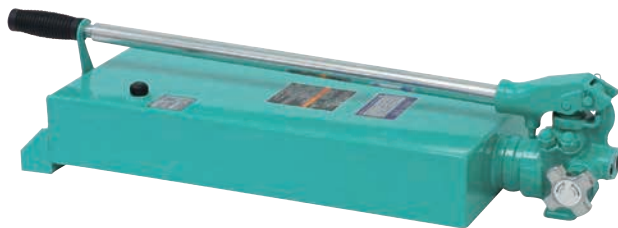
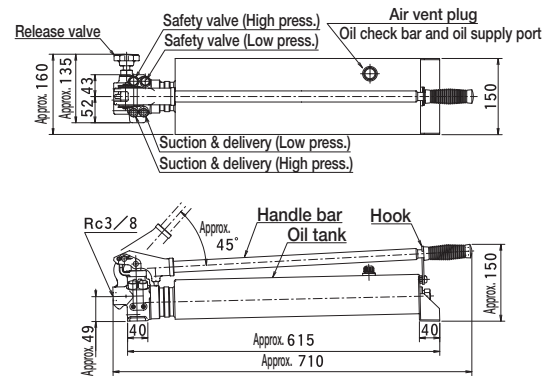


Hydraulic circuit diagram (Low-pressure relief type)



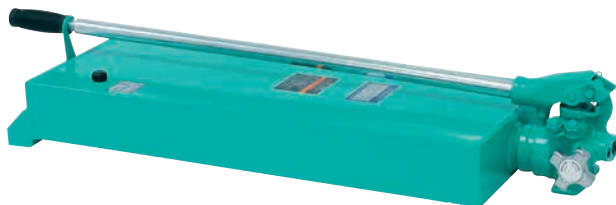
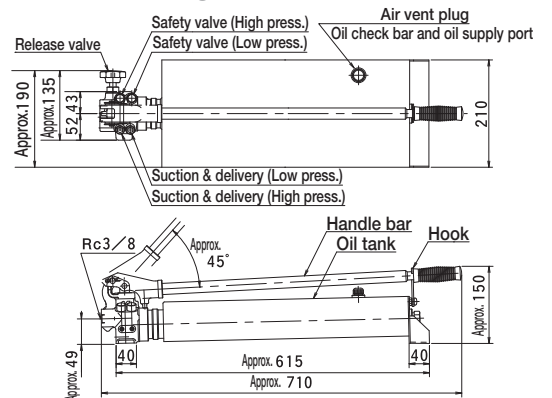
TWA-4

Dimensional drawing



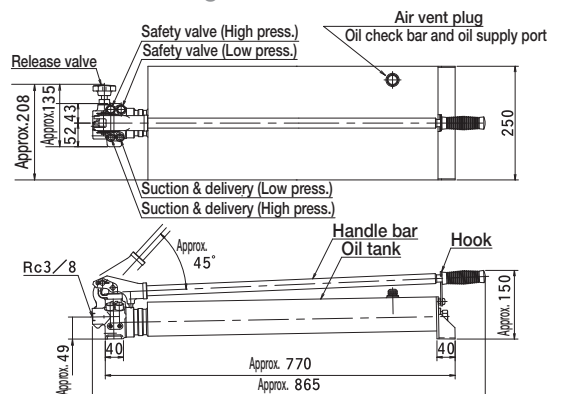
TWA-6.5

Dimensional drawing



TWA-10

Dimensional drawing



Specifications

Model	Items	Usable oil volume (ℓ)	Working pressure (MPa)		Oil delivery (ml/stroke)		Connection port	Weight approx. (kg)
			High	Low	High	Low		
TWA-4		4	72	3	2	11	NPT3/8 or Rc3/8	13.0
TWA-6.5		6						16.5
TWA-10		10						24.0

Note) Use ISO VG10 hydraulic working oil or equivalent oil.

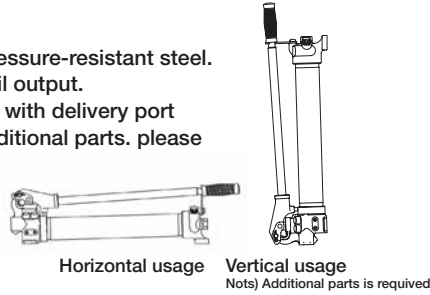
TWA type Hand Pumps

Model number	TWA	2.3
Hand pump		
Usable oil volume (ℓ)		

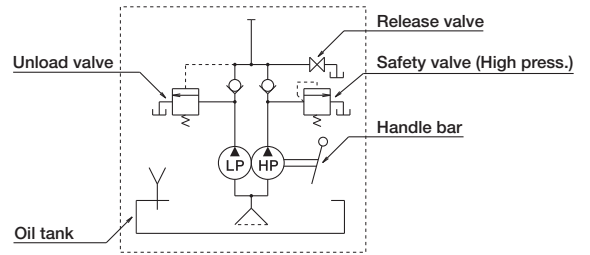
for single-acting jacks (low-pressure unload)

Features

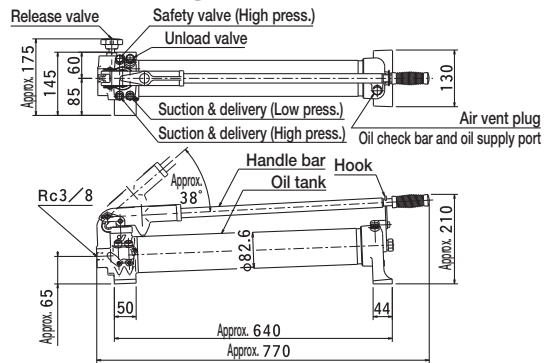
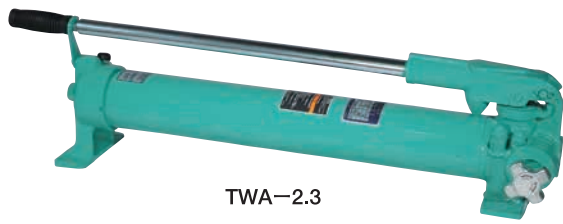
- Pump body is made of a special, pressure-resistant steel.
- High and low pressure, two-stage oil output.
- For horizontal usage. Vertical usage with delivery port downward is possible by adding additional parts. please contact us for further information.



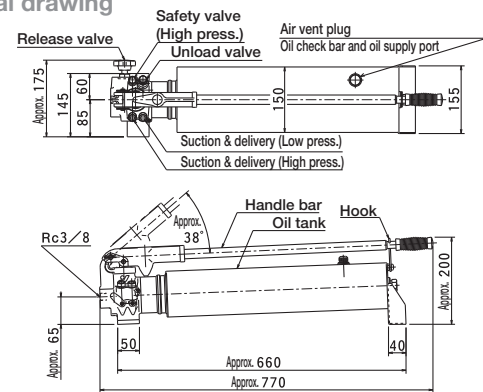
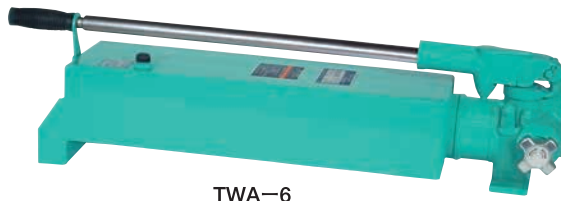
Hydraulic circuit diagram (Low-pressure unload type)



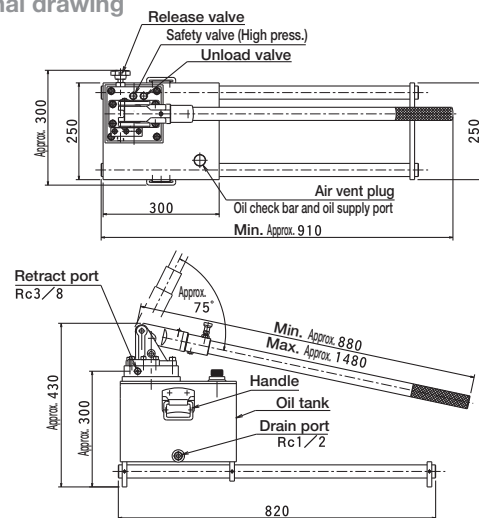
Dimensional drawing



Dimensional drawing



Dimensional drawing



Features

- Low/high two-stage large output pump.
- High quantity of usable oil.
- Suitable for large jacks.
- ※ Not applicable for vertical usage.

Specifications

Model	Items	Usable oil volume (ℓ)	Working pressure (MPa)		Oil delivery (mℓ/stroke)		Connection port	Weight approx. (kg)
			High	Low	High	Low		
TWA-2.3		2.3	72				Rc3/8	13.8
TWA-6		6	72	3	2	24		19.5
TWA-8		8	72		9			57.0
TWA-8M		8	21	2		90		57.0

Note) Use ISO VG10 hydraulic working oil or equivalent oil.

Hand pumps