

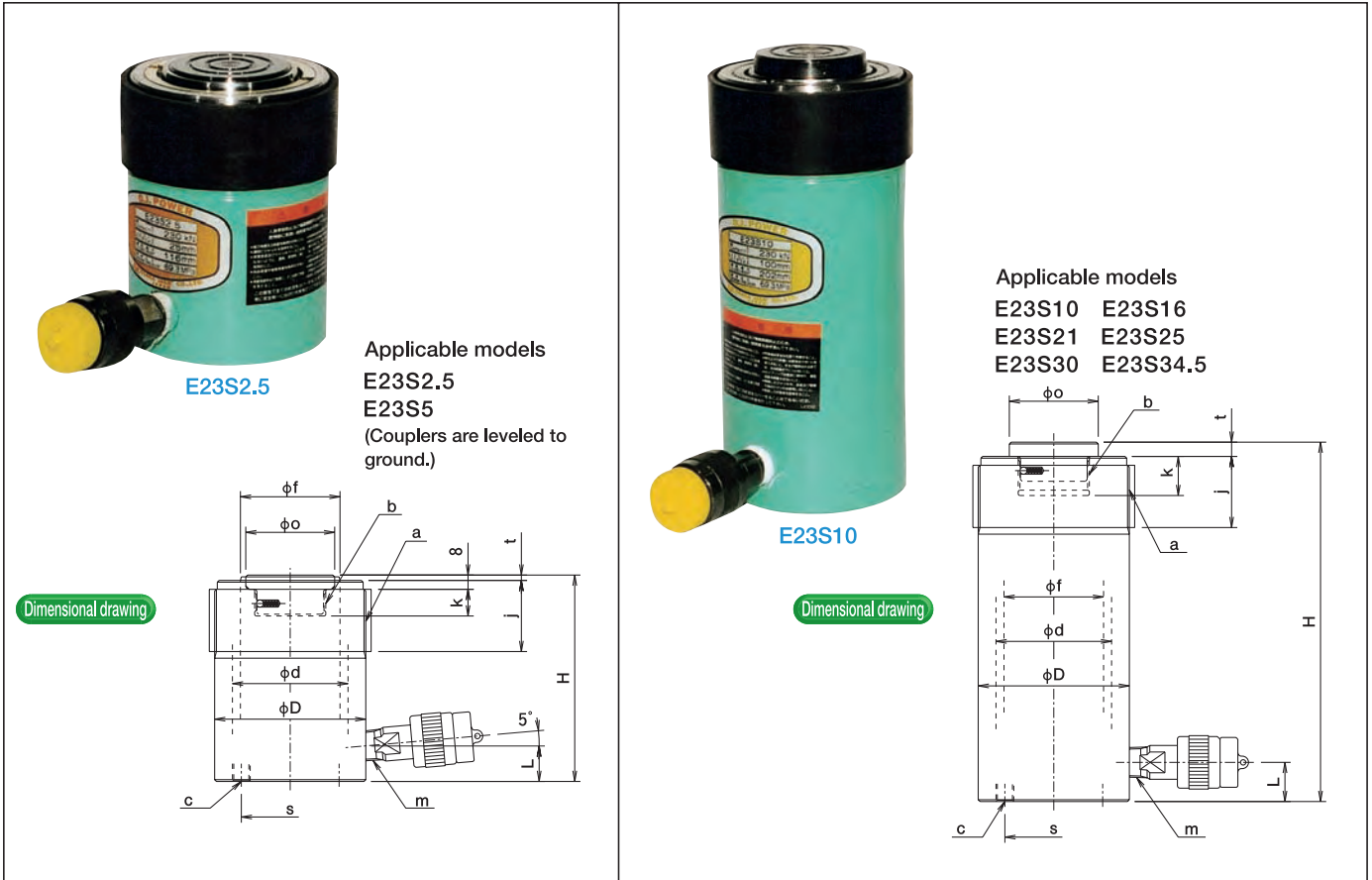
E type Power Jack 230kN

S (Spring return) type

| | | | | |
|-------------------|----------|-----------|----------|------------|
| Model number | E | 23 | S | 2.5 |
| E type | | | | |
| Capacity (ton) | | | | |
| Spring return (S) | | | | |
| Stroke (cm) | | | | |

Features

- Piston rod is plated with hard chrome.
- Piston rod seal protects against dirt.
- Saddle for insertable type, in case of use screwed type saddle, contact us.
- Use screwed type saddle when reverse use.
- Metric mounting threads in the base
- Metric mounting threads on cylinder collar
- Designed for light weight and compact type
- Allowable lateral load is 1/20 of lifting capacity.



Applicable models
 E23S10 E23S16
 E23S21 E23S25
 E23S30 E23S34.5

Specifications

| Items | Model Unit | E23S2.5 | E23S5 | E23S10 | E23S16 | E23S21 | E23S25 | E23S30 | E23S34.5 | |
|-------------------------|-------------------|----------------|-------|--------|--------|---------|---------|--------|----------|--|
| Capacity | kN(tf) | 230 (23) | | | | | | | | |
| Stroke | mm | 25 | 50 | 100 | 160 | 210 | 250 | 300 | 345 | |
| Closed height (H) | mm | 116 | 150 | 202 | 277 | 330 | 376 | 428 | 477 | |
| Cyl. outer dia. (D) | mm | 85 | | | | | | | | |
| Cyl. bore dia. (d) | mm | 65 | | | | | | | | |
| Cyl. effective area | cm ² | 33.18 | | | | | | | | |
| Oil capacity | mℓ | 83 | 166 | 332 | 531 | 697 | 830 | 996 | 1145 | |
| Weight approx. | kg | 5.5 | 6.5 | 8 | 10 | 12 | 14 | 15 | 17 | |
| Collar screw dia. (a) | mm | M85×2 | | | | | | | | |
| Collar screw length (j) | mm | 40 | | | | | | | | |
| Rod screw dia. (b) | mm | M40×2 | | | | | | | | |
| Rod screw length (k) | mm | 15 | 22 | | 25 | | | | | |
| Base screw dia. (c) | mm | 4-M10×15L | | | | | | | | |
| | (s) mm | 55 | | | | | | | | |
| Rod dia. (f) | mm | 56 | | | | | | | | |
| Saddle dia. (o) | mm | 50 | | | | | | | | |
| | (t) mm | 3 | 8 | | | | | | | |
| Port size (m) | — | NPT3/8 | | | | | | | | |
| Height to coupler (L) | mm | 20 | 22 | | | | | | | |
| Pumps applicable | Hand pump | TWA-0.7 | | | | TWA-0.9 | TWA-1.3 | | | |
| | Motor driven pump | NEX-2 or GH1/2 | | | | | | | | |
| Included coupler | | B-6JG | | | | | | | | |