

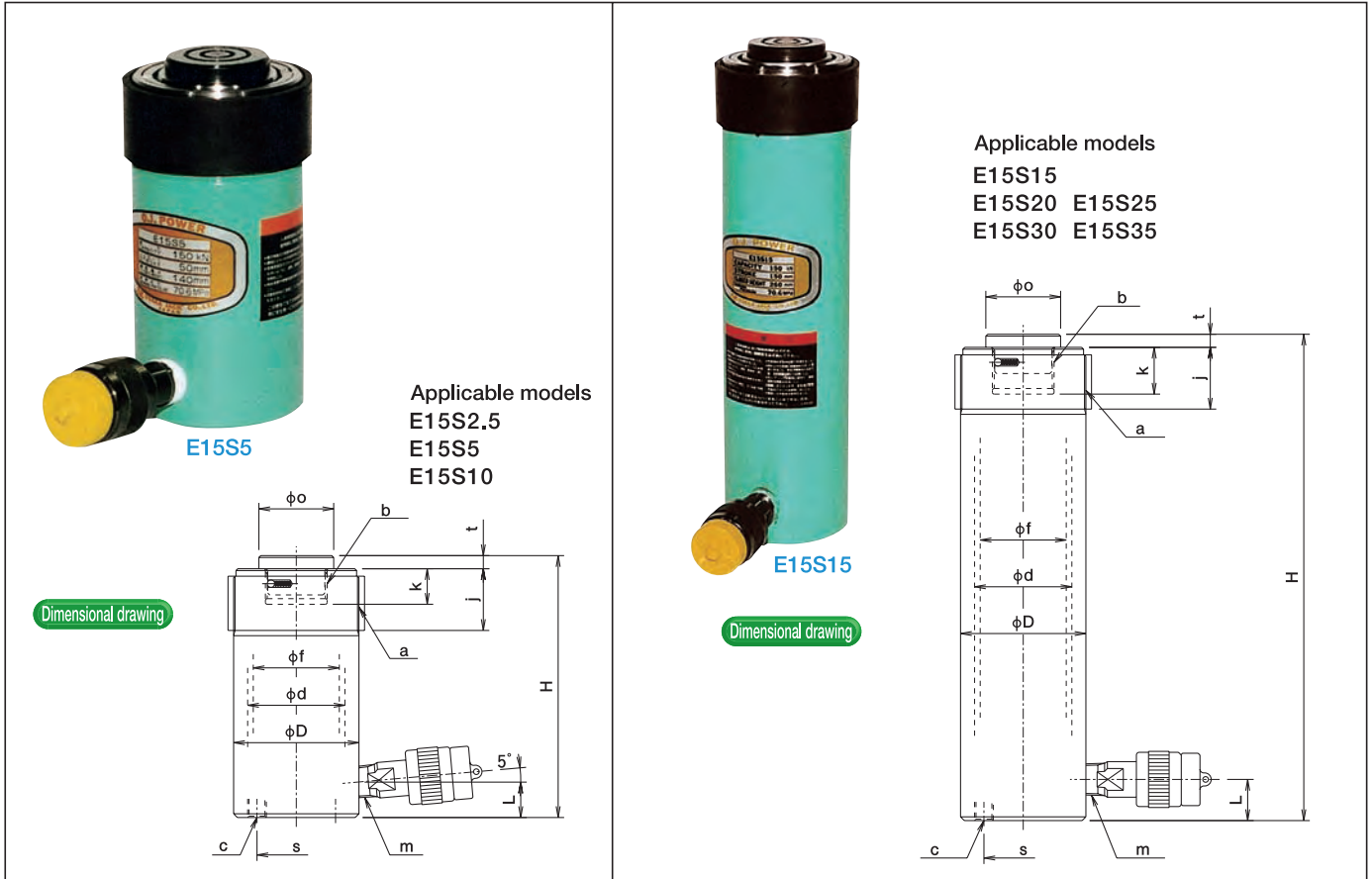
E type Power Jack 150kN

S (Spring return) type

Model number	E	15	S	2.5
E type				
Capacity (ton)				
Spring return (S)				
Stroke (cm)				

Features

- Piston rod is plated with hard chrome.
- Piston rod seal protects against dirt.
- Saddle for insertable type, in case of use screwed type saddle, contact us.
- Use screwed type saddle when reverse use.
- Metric mounting threads in the base
- Metric mounting threads on cylinder collar
- Designed for light weight and compact type
- Allowable lateral load is 1/20 of lifting capacity.



Specifications

Model		E15S2.5	E15S5	E15S10	E15S15	E15S20	E15S25	E15S30	E15S35	
Items	Unit									
Capacity	kN(tf)	150 (15)								
Stroke	mm	25	50	100	150	200	250	300	350	
Closed height (H)	mm	110	140	190	260	310	365	420	472	
Cyl. outer dia. (D)	mm	67								
Cyl. bore dia. (d)	mm	52								
Cyl. effective area	cm ²	21.24								
Oil capacity	mℓ	53	106	213	319	425	531	637	744	
Weight approx.	kg	3.2	3.8	4.8	6.3	7.5	8.5	9.5	10.5	
Collar screw dia. (a)	mm	M67×1.5								
Collar screw length (j)	mm	33								
Rod screw dia. (b)	mm	M33×2								
Rod screw length (k)	mm	19				25				
Base screw dia. (c)	mm	2-M10×15L								
	(s) mm	42								
Rod dia. (f)	mm	46								
Saddle dia. (o)	mm	40								
	(t) mm	7								
Port size (m)	—	NPT3/8								
Height to coupler (L)	mm	19				22				
Pumps applicable	Hand pump	TWA-0.3 or TWA-0.7			TWA-0.7			TWA-0.9		
	Motor driven pump	NEX-2 or GH1/2								
Included coupler		B-6JG								