

IMPACT TOOLS



NPK's award winning heavy duty impact wrenches have provided industries across the globe with precision, high power bolting since the early 1900's. Choose from our wide selection of world class pneumatic tools sure to satisfy your industrial application needs.



Choose Your Anvil Type

Choose Your Socket Retainer: Stopper Pin Type, Pin Hole Type, and Friction Ring Type.



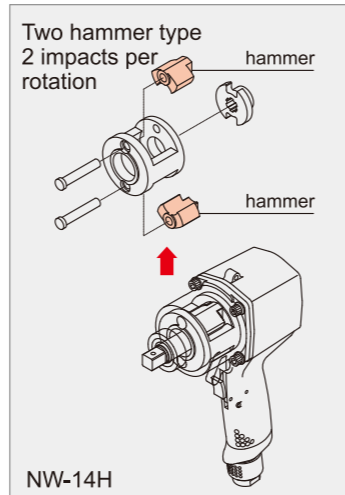
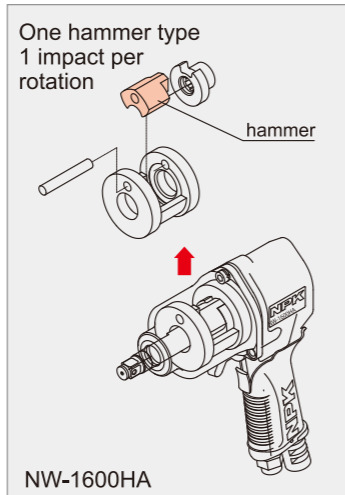
※Extended anvils available on some models

NW-1200B(2R)	50mm(2in")
NW-1600HA(2R)	50mm(2in")
NW-2000HA(4R)	100mm(4in")
NW-2800P(4R)	100mm(4in")
NW-3500GA(6P)	150mm(6in")
NW-4300GA(6P)	150mm(6in")
NW-5000(7P)	180mm(7in")



One Hammer and Two Hammer Impact Wrenches

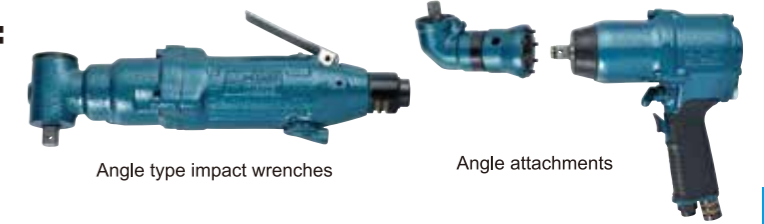
NPK's One Hammer Impact Wrenches provide a high power to weight ratio. They are well suited for automobile service and other bolting applications. Use our Two Hammer Impact Wrenches for smooth and speedy bolting applications.



Angle Type Impact Wrenches:

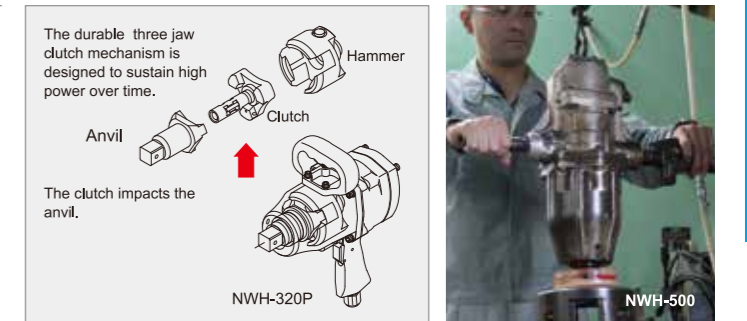
NPK's angle impact wrenches and angle attachments for some straight and pistol type impact wrenches are ideal for working in confined spaces.

Option Angle Attachments :
AT-30A for NW-800 and NW-800S AT-40 for NW-1600HA-AT



Three Jaw Clutch Impact Wrenches

NPK's Three Jaw Clutch Impact Wrenches are ideal for high-tension bolting applications including steel beam work, shipyard, and bridge construction. Models: NWH-320A, NWH-320P, NWH-500, and NWH-750

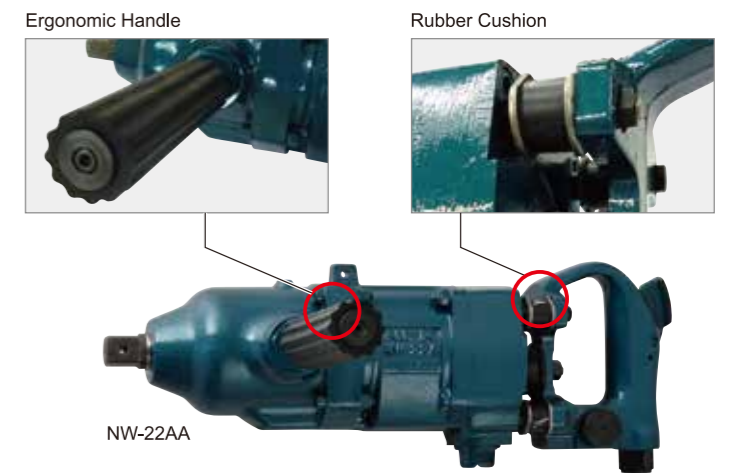


Low-Vibration Type

Our low vibration impact tools are designed with rubber cushions and ergonomic handles to reduce vibration levels.

※Models: NW-16HSA, NW19AA, and NW-22AA

Vibration level reduced by 25%



Selection Guide

Bolt size (mm)	Standard bolt			High tensile bolt		
	Pistol	Straight	Angle	Pistol	Straight	Angle
5				NW-5LP,6LFA		NAW-6HS
6	NW-5LP		NAW-6HS	NW-6HPA	NW-6HS	
8	NW-6HPA	NW-6HS		NW-800,SW-12 NW-8HPA	NW-800S	
10	NW-800 NW-8HPA	NW-800S		NW-10HPA		NAW-1200
12	SW-12 NW-10HPA		NAW-1200	NW-1200B NW-1600SA,14H		NAW-1600HA
14	NW-1200B NW-1600SA		NAW-1600HA	NW-1600HA	NW-16S	NAW-16HS,19A
16	NW-1600HA NW-14H		NAW-16HS	NW-2000HA	NW-16HS,16HSA NW-19A,19AA	
18		NW-16HS,16HSA NW-19A,19AA	NAW-19A		NW-22A,22AA	NAW-32LA
20	NW-2000HA	NW-19A,19AA		NW-2800P		
22		NW-22A,22AA	NAW-32LA	NW-3500P	NW-32LA	
24				NW-320P	NW-38	
25	NW-2800P					
27					NW-4300GA	
33		NW-32LA				
36	NW-3500P	NW-3500GA				
39	NWH-320P	NW-38				
42		NW-4300GA				

*Larger impact tools are available: NW-5000A, NWH-500, NWH-750. Please contact us for more information.
*Use appropriate air pressure (0.6 MPa at the tool)
*To choose a right tool, please consult NPK or your local dealers, as the selection guide above may not be applicable for your work condition.



Impact Wrenches (Two-Hammer)

- Two hammer impact design for efficient and speedy tightening operation.
- Ideal for assembly line work.

2 HAMMER 9.5mm(3/8")Sq.



NW-5LP(P)
NW-5LP(S)



NW-6HPA(P)
NW-6HPA(S)



NW-6HS(P)
NW-6HS(S)



NAW-6HS(P)
NAW-6HS(S)

Anvil Type

NW-○○HPA(P) ▲

► (P) = Pin Hole Type

► (S) = Stopper Pin Type

► (R) = Ring Type

9.5mm Sq

12.7mm Sq
19.05mm Sq

2 HAMMER 12.7mm(1/2")Sq.



NW-8HPA(P)
NW-8HPA(S)



NW-10HPA(P)
NW-10HPA(S)



NW-14H(P)
NW-14H(S)

Model	Code	Capacity (Bolt size)		Free speed min ⁻¹	Overall length		Weight		Spindle offset		Square drive		Air inlet thread Rc	Hose size		Average air consumption	
		mm	in		mm	in	kg	lb	mm	in	mm	in		mm	in	m ³ /min	cfm
NW-5LP(P)	20097	6	1/4	12000	152	5 ¹⁵ / ₁₆	0.6	1.3	16.5	5/8	9.5	3/8	1/4	6.3	1/4	0.25	8.8
NW-5LP(S)	20652																
NW-6HPA(P)	20114	8	5/16	8000	163	6 ³ / ₈	1.0	2.2	24	15/16	9.5	3/8	1/4	6.3	1/4	0.25	8.8
NW-6HPA(S)	25097																
NW-6HS(P)	20108	8	5/16	9000	217	8 ¹ / ₂	0.9	2.0	24	15/16	9.5	3/8	1/4	6.3	1/4	0.25	8.8
NW-6HS(S)	20859																
NAW-6HS(P)	20173	6	1/4	8000	239	9 ³ / ₈	1.5	3.3	14.5	9/16	9.5	3/8	1/4	6.3	1/4	0.25	8.8
NAW-6HS(S)	20315																
NW-8HPA(P)	20126	10	3/8	6500	165	6 ¹ / ₂	1.5	3.3	28	1 ¹ / ₈	12.7	1/2	1/4	6.3	1/4	0.3	10.6
NW-8HPA(S)	25098																
NW-10HPA(P)	20139	12	1/2	6000	169	6 ⁵ / ₈	1.7	3.7	31	1 ¹ / ₄	12.7	1/2	1/4	9.5	3/8	0.35	12.4
NW-10HPA(S)	25099																
NW-14H(P)	20147	16	5/8	5500	196	7 ¹¹ / ₁₆	3.0	6.6	34.5	1 ³ / ₈	12.7	1/2	1/4	9.5	3/8	0.35	12.4
NW-14H(S)	20677																

2 HAMMER 19.05mm(3/4")Sq.



NW-16HP(P)
NW-16HP(R)
(4 steps power control)



NW-22A(P)
(4 steps power control)



Low Vibration Type
NW-16HSA(P)
(4 steps power control)



NW-16HS(P)
(4 steps power control)



NAW-16HS(P)
(4 steps power control)



Low Vibration Type
NW-19AA(P)
(4 steps power control)



NW-19A(P)
(4 steps power control)



NAW-19A(P)
(4 steps power control)



Low Vibration Type
NW-22AA(P)
(4 steps power control)

2 HAMMER 25.4mm(1")Sq.



NW-32LA(P)
(4 steps power control)



NW-38(P)
(4 steps power control)



NAW-32LA(P)
(4 steps power control)

Model	Code	Capacity (Bolt size)		Free speed min ⁻¹	Overall length		Weight		Spindle offset		Square drive		Air inlet thread Rc	Hose size		Average air consumption	
		mm	in		mm	in	kg	lb	mm	in	mm	in		mm	in	m ³ /min	cfm
NW-16HP(P)	20737	18	11/16	5000	220	8 ⁵ / ₈	5.0	11	41.5	1 ⁵ / ₈	19.05	3/4	3/8	12.7	1/2	0.45	15.9
NW-16HP(R)	20738																
NW-16HS(P)	20151	18	11/16	4000	318	12 ¹ / ₂	5.5	12.1	41.5	1 ⁵ / ₈	19.05	3/4	3/8	12.7	1/2	0.45	15.9
NW-19A(P)	20157	20	13/16	4500	346	13 ⁵ / ₈	6.5	14.3	45	1 ³ / ₄	19.05	3/4	3/8	12.7	1/2	0.55	19.4
NW-22A(P)	20161	22	7/8	4500	383	15 ¹ / ₁₆	7.4	16.3	45	1 ³ / ₄	19.05	3/4	3/8	12.7	1/2	0.6	21.2
NAW-16HS(P)	20362	16	5/8	3500	386	15 ³ / ₁₆	9.6	21.1	30	1 ³ / ₁₆	19.05	3/4	3/8	12.7	1/2	0.45	15.9
NAW-19A(P)	20178	18	11/16	4000	415	16 ³ / ₈	10.6	23.3	31	1 ¹ / ₄	19.05	3/4	3/8	12.7	1/2	0.5	17.7
NW-16HSA(P)	20154	18	11/16	4000	339	13 ³ / ₈	5.8	12.8	41.5	1 ⁵ / ₈	19.05	3/4	3/8	12.7	1/2	0.45	15.9
NW-19AA(P)	20158	20	13/16	4500	390	15 ³ / ₄	7.0	15.4	45	1 ³ / ₄	19.05	3/4	3/8	12.7	1/2	0.55	19.4
NW-22AA(P)	20162	22	7/8	4500	399	15 ¹¹ / ₁₆	8.0	17.6	45	1 ³ / ₄	19.05	3/4	3/8	12.7	1/2	0.6	21.2
NW-32LA(P)	20166	33	1 ⁵ / ₁₆	4000	383	15 ¹ / ₁₆	10.7	23.5	55.5	2 ³ / ₁₆	25.4	1	1/2	12.7	1/2	0.85	30.0
NW-38(P)	20170	39	1 ⁹ / ₁₆	3000	463	18 ¹ / ₄	15.3	33.7	62.5	2 ⁷ / ₁₆	25.4	1	1/2	12.7	1/2	0.9	31.8
NAW-32LA(P)	20180	22	7/8	3500	484	19 ¹ / ₁₆	18.0	39.6	43	1 ¹¹ / ₁₆	25.4	1	1/2	12.7	1/2	0.85	30



NW-14H

Bolt Tightening

Grinding / Cutting

Scaling / Chipping

Drilling / Tapping

Material Handling

Others



Impact Wrenches (One-Hammer)

- One hammer impact wrench is widely used for repair and garage work.
- Powerful, light weight, and low air consumption.
- Built in power regulator.

1 HAMMER 9.5mm(3/8")Sq.



NW-800(S)
(6 steps power control)

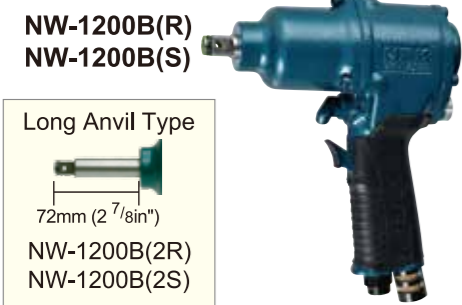


NW-800S(S)
(Stepless power control)



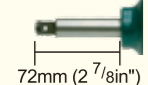
SW-12(R)
(Stepless power control)

1 HAMMER 12.7mm(1/2")Sq. 4 Steps Power Control

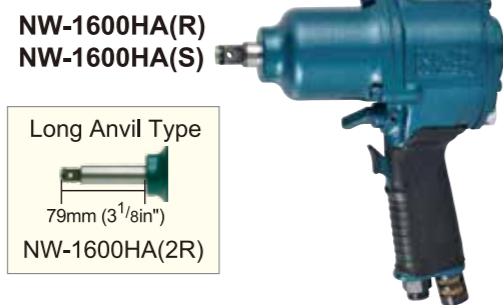


NW-1200B(R)
NW-1200B(S)

Long Anvil Type

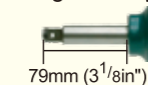


72mm (2 7/8in")
NW-1200B(2R)
NW-1200B(2S)



NW-1600HA(R)
NW-1600HA(S)

Long Anvil Type

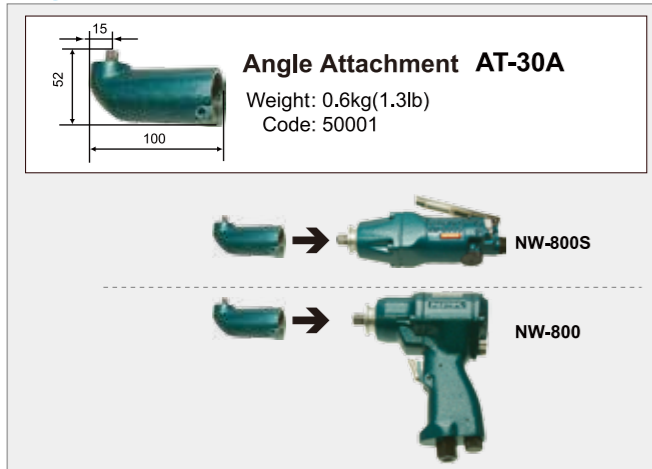


79mm (3 1/8in")
NW-1600HA(2R)



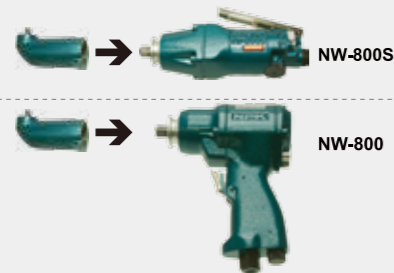
NW-1600HA-AT(R)
NW-1600HA-AT(S)

Angle Attachment for NW-800 / -800S

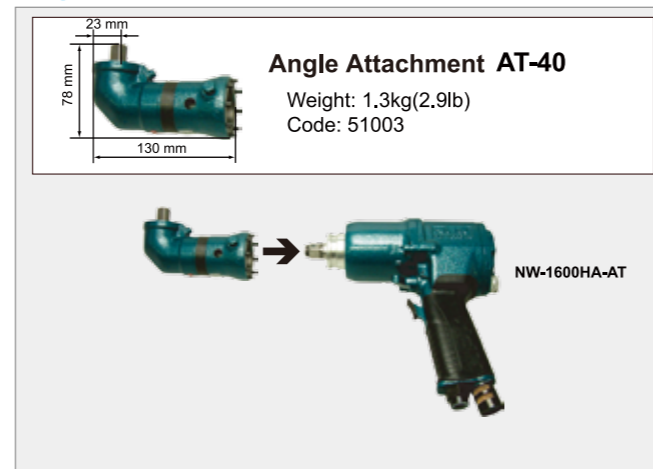


Angle Attachment AT-30A

Weight: 0.6kg(1.3lb)
Code: 50001

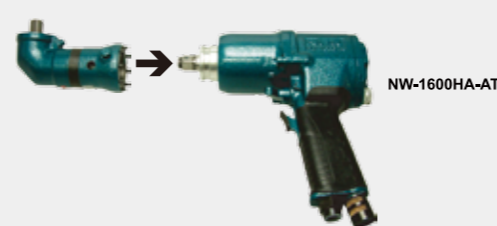


Angle Attachment for NW-1600HA-AT



Angle Attachment AT-40

Weight: 1.3kg(2.9lb)
Code: 51003



Model	Code	Capacity (Bolt size)		Free speed	Overall length		Weight		Spindle offset		Square drive		Air inlet thread	Hose size		Average air consumption	
		mm	in		mm	in	kg	lb	mm	in	mm	in		Rc	mm	in	m ³ /min
NW-800(S)	20007	10	3/8	7000	129	5 1/16	1.25	2.75	22.5	7/8	9.5	3/8	1/4	6.3	1/4	0.1	3.5
NW-800S(S)	20009	10	3/8	8000	179	7	1.1	2.4	25	1	9.5	3/8	1/4	6.3	1/4	0.1	3.5
SW-12(R)	20014	12	1/2	8000	124	4 7/8	1.26	2.9	27	1 1/16	9.5	3/8	1/4	6.3	1/4	0.1	3.5
NW-1200B(R)	25322	14	9/16	7000	174	6 7/8	1.8	4.0	28	1 1/8	12.7	1/2	1/4	6.3	1/4	0.1	3.5
NW-1200B(S)	25338																
NW-1200B(2R)	25340	14	9/16	7000	224	8 13/16	2.1	4.6	28	1 1/8	12.7	1/2	1/4	6.3	1/4	0.1	3.5
NW-1200B(2S)	25356																
NW-1600HA(R)	25362	16	5/8	5000	195	7 11/16	2.5	5.5	31.8	1 1/4	12.7	1/2	1/4	6.3	1/4	0.15	5.3
NW-1600HA(S)	25366																
NW-1600HA-AT(R)	25399	16	5/8	5000	195	7 5/8	2.5	5.5	32.5	1 1/4	12.7	1/2	1/4	6.3	1/4	0.15	5.3
NW-1600HA-AT(S)	25403																
NW-1600HA(2R)	25370	16	5/8	5000	245	9 5/8	2.6	5.7	31.8	1 1/4	12.7	1/2	1/4	6.3	1/4	0.15	5.3

1 HAMMER 12.7mm(1/2")Sq. 4 Steps Power Control

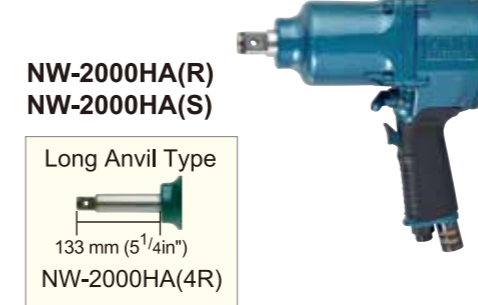


NAW-1200(S)



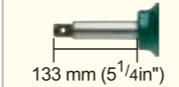
NAW-1600HA(S)

1 HAMMER 19.05mm(3/4")Sq. 4 Steps Power Control

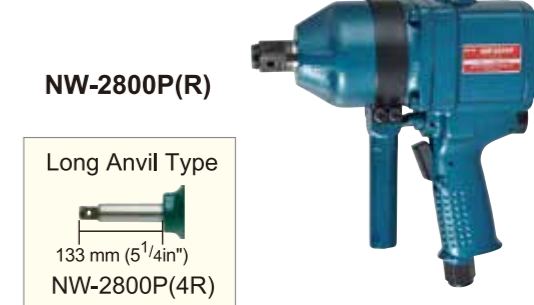


NW-2000HA(R)
NW-2000HA(S)

Long Anvil Type

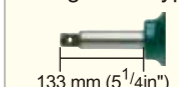


133 mm (5 1/4in")
NW-2000HA(4R)



NW-2800P(R)

Long Anvil Type



133 mm (5 1/4in")
NW-2800P(4R)

2 HAMMER 12.7mm(1/2")Sq. 4 Steps Power Control



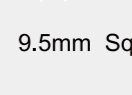
NW-1600SA(R)

Anvil Type

(P) = Pin Hole Type

(S) = Stopper Pin Type

(R) = Ring Type



9.5mm Sq

12.7mm Sq

19.05mm Sq

Model	Code	Capacity (Bolt size)		Free speed	Overall length		Weight		Spindle offset		Square drive		Air inlet thread	Hose size		Average air consumption	
		mm	in		mm	in	kg	lb	mm	in	mm	in		Rc	mm	in	m ³ /min
NW-1600SA(R)	25553	14	9/16	6500	165	6 1/2	1.6	3.5	26	1	12.7	1/2	1/4	6.3	1/4	0.15	5.3
NAW-1200(S)	20026	12	1/2	6500	364	14 5/16	3.0	6.6	23	7/8	12.7	1/2	1/4	6.3	1/4	0.1	3.5
NAW-1600HA(S)	25395	14	9/16	5000	282	11 1/8	3.6	7.9	23	7/8	12.7	1/2	1/4	6.3	1/4	0.15	5.3
NW-2000HA(R)	25405	20	13/16	4500	230	9 1/16	3.8	8.4	38	1 1/2	19.05	3/4	1/4	9.5	3/8	0.2	7.1
NW-2000HA(S)	25349																
NW-2000HA(4R)	25352	20	13/16	4500	330	13	4.2	9.2	38	1 1/2	19.05	3/4	1/4	9.5	3/8	0.2	7.1
NW-2800P(R)	20735	25	1	5000	225	8 7/8	5.0	11	41.5	1 5/8	19.05	3/4	3/8	9.5	3/8	0.25	8.8
NW-2800P(4R)	20748	25	1	5000	325	12 13/16	5.4	11.9	41.5	1 5/8	19.05	3/4	3/8	9.5	3/8	0.25	8.8



NW-2000HA



Impact Wrenches (One-Hammer)

- One hammer impact wrench is widely used for repair and garage work.
- Powerful, light weight, and low air consumption.
- Built in power regulator.

1 HAMMER 25.4mm(1") Sq. 4 Steps Power Control



NW-3500P(P)



NW-3500GA(P)



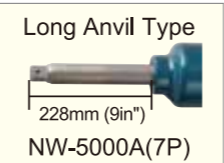
NW-4300GA(P)



NW-4300GAU(P)



NW-5000A(P)



Model	Code	Capacity (Bolt size)		Free speed	Overall length		Weight		Spindle offset		Square drive		Airinlet thread	Hose size		Average air consumption	
		mm	in		mm	in	kg	lb	mm	in	mm	in		Rc	mm	in	m ³ /min
NW-3500P(P)	20074	36	1 7/16	4000	281	11 1/16	9.2	20.2	50	1 15/16	25.4	1	3/8	12.7	1/2	0.3	10.6
NW-3500GA(P)	20072	36	1 7/16	4000	388	15 1/4	9.5	20.9	50	1 15/16	25.4	1	3/8	12.7	1/2	0.3	10.6
NW-3500GA(6P)	20073	36	1 7/16	4000	551	21 11/16	10.5	23.1	50	1 15/16	25.4	1	3/8	12.7	1/2	0.3	10.6
NW-4300GA(P)	20087	42	1 5/8	4000	454	17 7/8	12.9	28.4	57	2 1/4	25.4	1	1/2	12.7	1/2	0.4	14.1
NW-4300GA(6P)	20088	42	1 5/8	4000	591	23 1/4	14.2	31.2	57	2 1/4	25.4	1	1/2	12.7	1/2	0.4	14.1
NW-4300GAU(P)	20089	42	1 5/8	4000	454	17 7/8	12.9	28.4	57	2 1/4	25.4	1	1/2	12.7	1/2	0.4	14.1
NW-4300GAU(6P)	20831	42	1 5/8	4000	591	23 1/4	14.2	31.2	57	2 1/4	25.4	1	1/2	12.7	1/2	0.4	14.1
NW-5000A(P)	25832	48	2 1/16	3000	464	18 1/4	16.5	36.3	62	2 7/16	25.4	1	1/2	12.7	1/2	0.45	15.9
NW-5000A(7P)	25833	48	2 1/16	3000	642	25 1/4	18.0	39.6	62	2 7/16	25.4	1	1/2	12.7	1/2	0.45	15.9



Impact Wrenches (Clutch-Hammer)

- Exceptionally high power.
- Primarily used in heavy manufacturing industries; shipyard and bridge construction.



NWH-750

Clutch HAMMER 25.4mm(1") Sq.



NWH-320B(P)
(3 steps power control)



NWH-320P(P)

Clutch HAMMER 38.1mm(1 1/2") Sq.

Clutch HAMMER 44.5mm(1 3/4") Sq.

Clutch HAMMER 63.5mm(2 1/2") Sq.



NWH-500(P)



NWH-750(P)
44.5mm(1 3/4") Sq.

NWH-750-24(P)
63.5mm(2 1/2") Sq.

Model	Code	Capacity (Bolt size)		Free speed	Overall length		Weight		Spindle offset		Square drive		Airinlet thread	Hose size		Average air consumption	
		mm	in		mm	in	kg	lb	mm	in	mm	in		Rc	mm	in	m ³ /min
NWH-320B(P)	25850	39	1 9/16	4000	386	15 3/16	9.7	21.38	55	2 3/16	25.4	1	3/8	12.7	1/2	0.5	17.7
NWH-320P(P)	20183	39	1 9/16	4000	276	10 7/8	9.75	21.49	55	2 3/16	25.4	1	3/8	12.7	1/2	0.5	17.7
NWH-500(P)	20187	52	2 1/16	3500	567	22 5/16	29.0	63.8	77	3 1/16	38.1	1 1/2	G1	19.0	3/4	1.2	42.4
NWH-750(P)	20188	75	3	2200	637	25 1/16	52.5	115.5	95	3 3/4	44.5	1 3/4	G1	19.0	3/4	1.5	53
NWH-750-24(P)	20189	75	3	2200	649	25 9/16	52.6	115.7	95	3 3/4	63.5	2 1/2	G1	19.0	3/4	1.5	53

Bolt Tightening

Grinding / Cutting

Scaling / Chipping

Drilling / Tapping

Material Handling

Others



Impact Screwdrivers

- Compact and lightweight impact screw drivers.
- Quick change chuck bit holder.
- 2 types of bit holders: X (9mm) & Y (13mm) are available.



6.35mm(1/4") Quick Change Chuck Type



ND-5LPX
ND-5LPY



ND-6HPAX
ND-6HPAY



ND-6PDY
(Built-in power regulator /
6 steps power control)



ND-6HSX
ND-6HSY

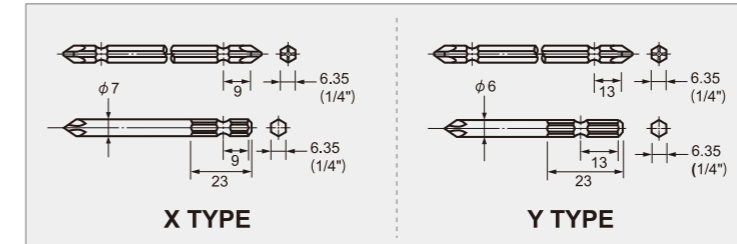


ND-6SDY
(Built-in power regulator /
stepless power control)

Model	Code	Capacity (Bolt size)		Free speed min ⁻¹	Overall length		Weight		Spindle offset		Hex drive		Air inlet thread Rc	Hose size		Average air consumption	
		mm	in		mm	in	kg	lb	mm	in	mm	in		mm	in	m ³ /min	cfm
ND-5LPX	20243	6	1/4	12000	165	6 1/2	0.65	1.4	16.5	5/8	6.35	1/4	1/4	6.3	1/4	0.15	5.3
ND-5LPY	20244																
ND-6HPAX	20221	6~8	1/4~5/16	8000	170	6 11/16	1.0	2.2	24	15/16	6.35	1/4	1/4	6.3	1/4	0.25	8.8
ND-6HPAY	20222																
ND-6PDY	25102	6~8	1/4~5/16	6000	148	5 13/16	1.4	3.1	22.5	7/8	6.35	1/4	1/4	6.3	1/4	0.15	5.3
ND-6HSX	20219	6~8	1/4~5/16	9000	224	8 3/4	0.97	2.1	24	15/16	6.35	1/4	1/4	6.3	1/4	0.25	8.8
ND-6HSY	20220	6~8	1/4~5/16	9000	224	8 13/16	0.97	2.1	24	15/16	6.35	1/4	1/4	6.3	1/4	0.25	8.8
ND-6SDY	25106	6~8	1/4~5/16	6000	198	7 13/16	1.2	2.6	25	1	6.35	1/4	1/4	6.3	1/4	0.15	5.3

Quick Bit Change

Selectable Chuck sizes



How to install a bit

- ① Pulling the holder
- ② Insert the bit.



Ratchet Wrenches



9.5mm(3/8") Sq.

Suitable for tightening work in confined spaces.



NRR-8C



S-type Anvil



NRR-10B



S-type Anvil

Model	Code	Capacity (Bolt size)		Free speed min ⁻¹	Overall length		Weight		Angle height		From center to outside		Air inlet thread Rc	Hose size		Average air consumption	
		mm	in		mm	in	kg	lb	mm	in	mm	in		mm	in	m ³ /min	cfm
NRR-8C	25867	8	5/16	200	169	6 5/8	0.54	1.1	33.1	1 5/16	15	9/16	1/4	6.3	1/4	0.1	3.5
NRR-10B	20813	10	3/8	160	263	10 3/8	1.1	2.4	40.6	1 5/8	20	13/16	1/4	6.3	1/4	0.1	3.5