

Compact and Light. Reliable load-holding performance.

KITO LEVER BLOCK TM **Lx**

LX003/005



Compact, lightweight,
portable design for ease of use in elevated work positions.
Low hand-pull force for highly reliable pulling
and lifting to the last click.



KITO LEVER BLOCK TM **LX** Series 250kg/500kg

Two capacities available – the LX003 has a rated capacity of 250kg, and the LX005 has a rated capacity of 500kg. Compact & light, these LX series hoists are suitable for work in tight quarters or elevated locations where fastening, fixing, or positioning of light loads is required.

- | | | | | | | | |
|----------------|---------|------------------|-----------|-------------|-----------------------|-------------------------|---------------------|
| Load fastening | Tension | Lifting/lowering | Anchoring | Positioning | Distortion correction | Alignment of structures | Other load handling |
|----------------|---------|------------------|-----------|-------------|-----------------------|-------------------------|---------------------|



Net weight of just
1.6kg!

(LX003)

**Minimum headroom
(distance)
between hooks:
205mm** (LX003)

Lever length of just
150mm!

(LX003)

Reliable load-holding performance

The LX series, designed with a single-step reduction gear, is characterized by a small manual fastening force and assured load holding. Reliable load fastening can be provided to the last clicking of the lever.

Compact and light

Kito's innovative technology makes the LX series compact and light. It's very easy to carry, and easy to use, even in tight quarters or in elevated work locations. What's more, it can be conveniently stored in a special carrying case (LX003 only).

Kito's original free chain adjusting mechanism

Reliable load-holding performance at any load. A required chain length is provided instantly in accordance with job condition.

Maintainability

Fasteners are designed to protect threads from damage making maintenance easier.

Nickel-plated chain

Kito's unique R&D produces world-class performance. The grade 100(1000 N/mm²) chain, made from a special high strength alloy, features an unbeatable combination of toughness and resistance to corrosion & wear. (For special environments consult your Kito distributor since corrosion resistance varies depending on corrosives involved)

Hook latch with safety mechanism

The hook latch employs tip-supporting structure for guaranteed holding and is highly resistant to deformation and damage.

Specifications and Dimensions

Rated load (W.L.L.)	(kg) [t]	250 [0.25]	500 [0.5]
Code		LX003	LX005
Standard lift	(m)	1	1.2
Hand-pull to lift full load (N) [kg]		200 [20]	310 [31]
Load Chain Diameter (mm) x Fall (mm)		3.2x1	4.3x1
Test load	(kg)	380	750
Mass (Net weight)*	(kg)	1.6	2.6
Shipping weight (Approx.)	(kg)	1.8	2.8
Dimensions (mm)	a	90.5	102
	b	73.5	93
	C	205	246
	D	150	180
	e	62	68
	g	21	24.5
	s	32	35.5
	t	11	12

* The Mass (net weight) is for the standard load-lifting height.

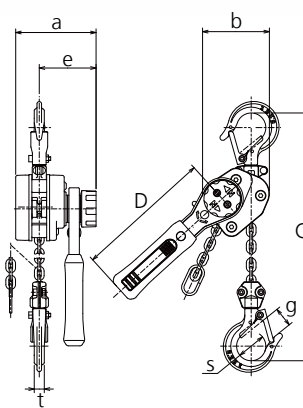
Operating environmental conditions

Operating temperature range
-40°C to +60°C

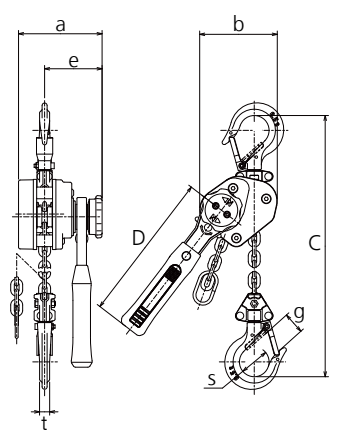
Operating humidity range
Use the hoist at under 100%RH.
This product cannot be used in water.

Materials Special materials such as sparkless materials are not used.
Asbestos are not used.

LX003



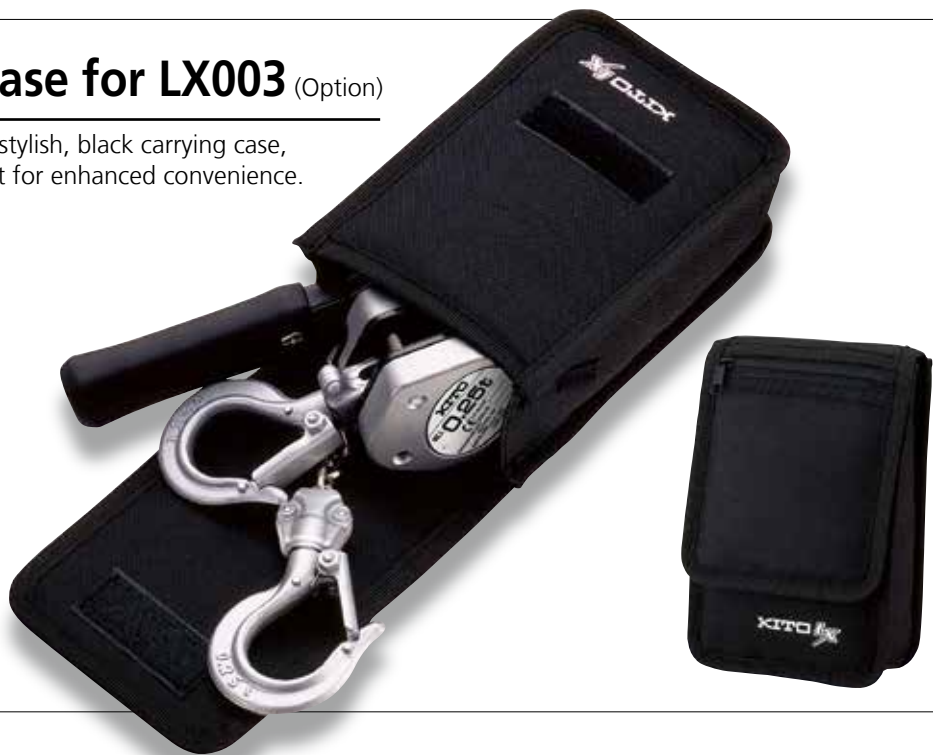
LX005



Special carrying case for LX003 (Option)

The LX003 fits comfortably in this stylish, black carrying case, which can be attached to your belt for enhanced convenience.

- Color: black
- Material: Polyester
- Size: approx. 170 x 120 x 55mm
- Has a belt loop and pocket
- KITO LX logo



For a load range 0.8-9 t, use **KITO LEVER HOIST Model L5**.

Much lighter and tougher

Seven capacities range from 0.8 to 9 tons to choose the one that best suits your application.

Extremely compact and light

Kito's innovative technology makes this model smaller and lighter than ever before. It's easy to carry and store, and the Lever Hoist is much easier to use, even in a narrow working spaces.

Nickel-plated chain

Kito's unique R&D produces world-class performance. The grade 100(1000 N/mm²) chain, made from a special high strength alloy, features an unbeatable combination of toughness and resistance to corrosion and wear. (For special environments consult your Kito distributor since corrosion resistance varies depending on corrosives involved)

High-strength frame

High grade alloy steel with solid construction, a patented induction hardening process on the load-supporting part, and increased material thickness produces an extremely strong and rigid frame.



For details please refer to the "**KITO LEVER HOIST Model L5**" catalog.



- The functions and performance of the products mentioned in the catalog have been designed based on the related regulations and standards. If they are used for other than their intended purposes such as being integrated into your equipment, we will not take any responsibility for accidents attributable to their unintended usages as well as guarantee their performance and functions. Never remodel our products.
- When you want to use our products for special purposes, consult us in advance.
- When you want to export our products, consult us in advance. There are different standards and regulations from one destination to another.
- It is prohibited to reprint, copy or divert all the information in this catalog (product patents, trademarks, photos, designs, copies, illustrations, etc.) without our consent.
- The specifications in this catalog are partly subject to change without prior notice.

KITO

KITO CORPORATION

SHINJUKU NS Bldg. 9F, 2-4-1 Nishi-Shinjuku, Shinjuku-ku, Tokyo 163-0809 JAPAN
 TEL: +81-3-5908-0180 FAX: +81-3-5908-0189
 E-mail: overseas@kito.co.jp
www.kito.co.jp

KITO CROSBY™