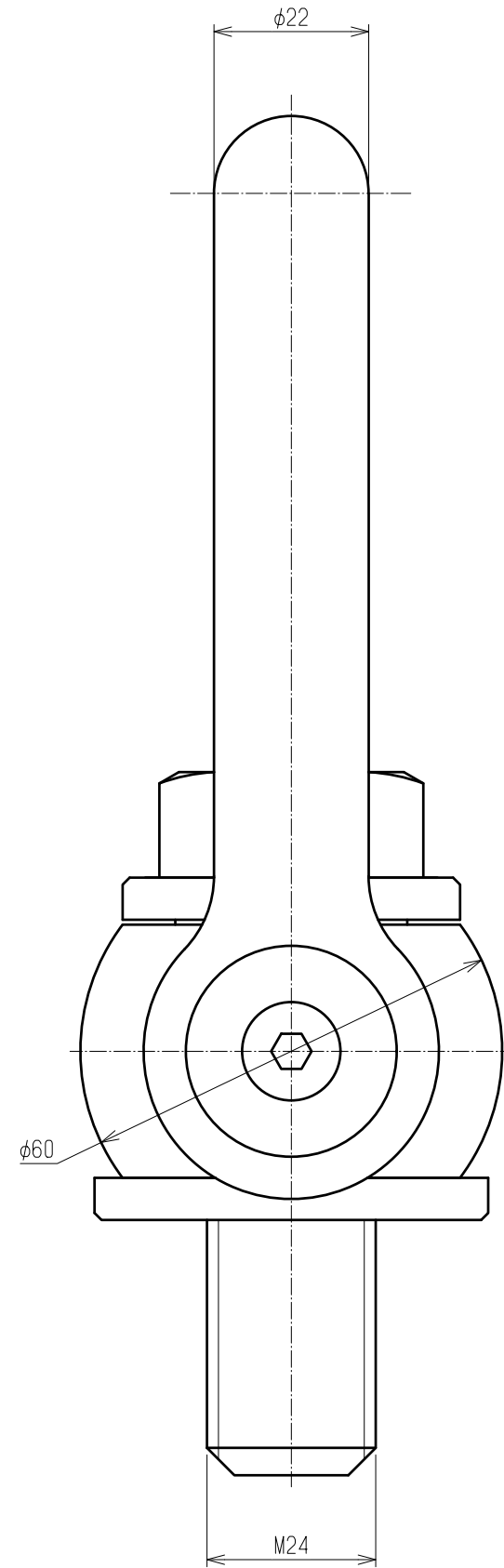
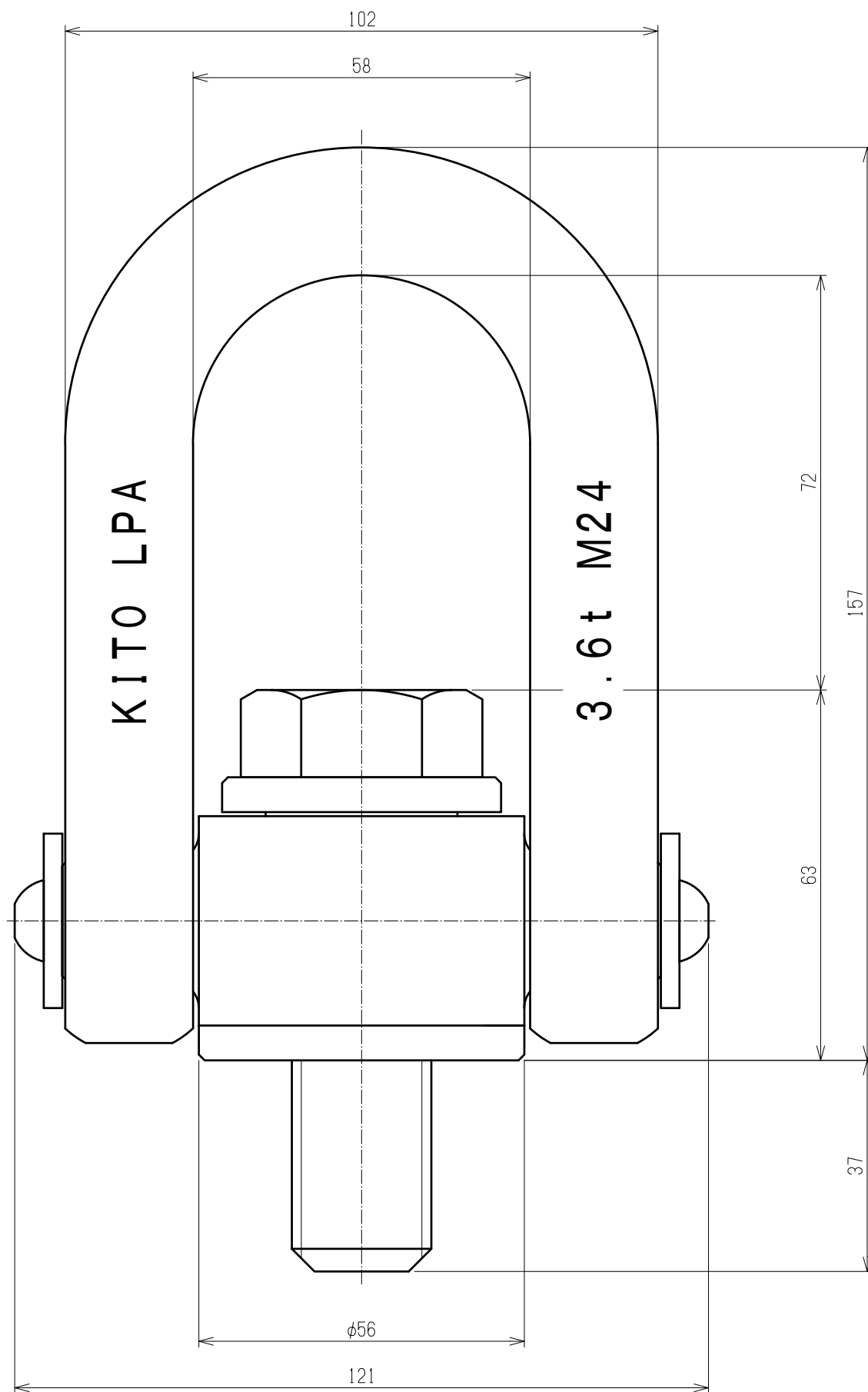


1 2 3 4 5 6 7 8 9



REV.	QTY	C O N T E N T S	DATE	DRAWN	APPROVED

APPROVED	CHECKED	DESIGNED	DRAWN	TITLE
H. Higuchi	H. Sano	T. Kasai	T. Kasai	ホントイ
2017.06.22	2017.06.22	2017.06.22	2017.06.22	CODE LPA
				DWG. NO. LPA1036A10011
				SCALE 1:1

SCALE	REV.
1:1	