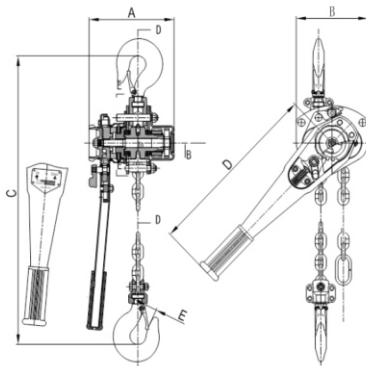


"KONDO" LEVER BLOCK MODEL: KT-L



▲ 360°Rotation



SPECIFICATION

Rated Load (T)	0.25	0.5	0.75	1	1.5	2	3	6	9	
Test Load (T)	0.375	0.75	1.125	1.5	2.25	3	4.5	9	13.5	
Standard Lift (m)	1	1.5	1.5	1.5	1.5	1.5	1.5	1.5	1.5	
Min. distance between two hooks (mm)	205	260	295	295	335	385	450	615	720	
Efforts required at Capacity (N)	217	303	140	185	234	251	363	370	375	
Diameter of Load Chain (mm)	4	5	6	6	7.1	8	10	10	10	
No. of Load Chain	1	1	1	1	1	1	1	2	3	
Dimensions (mm)	A	92	110	152	152	175	175	195	195	195
	B	75	82	128	128	148	160	181	232	366
	C	205	260	295	295	335	385	450	615	720
	D	153	261	256	256	368	368	368	368	368
	E	17	23	24	24	36	34	35	47	61
Net Weight (kg)	1.85	4.6	7.7	8	10.6	14.8	20	28	46	