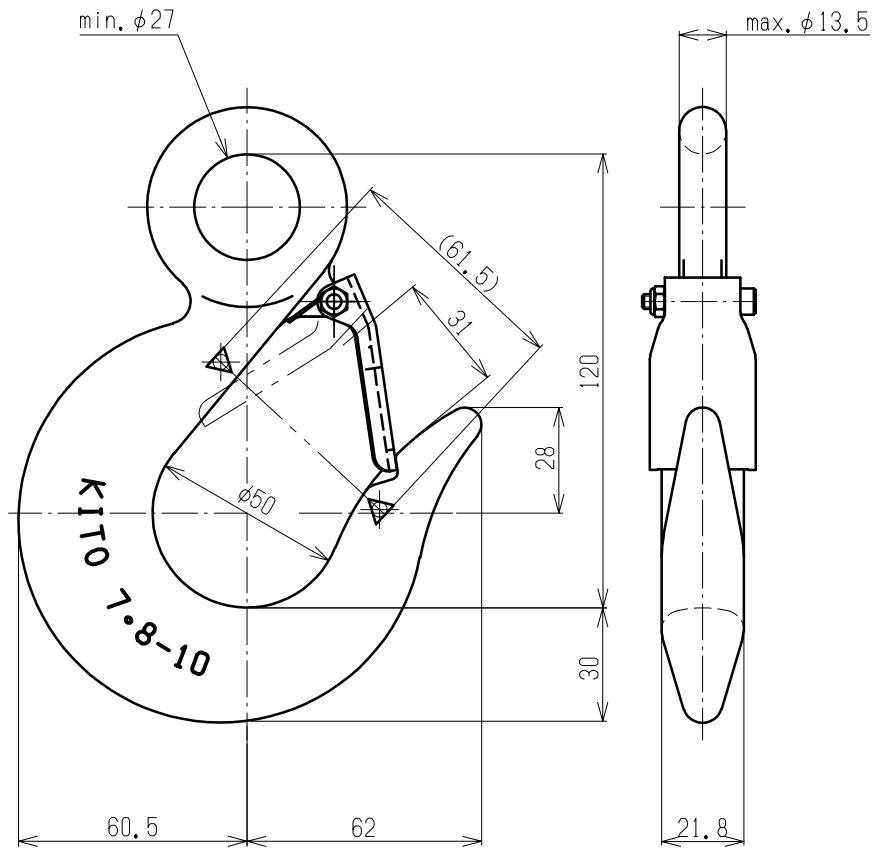


| REV. | QTY | C O N T E N T S | DATE | DRAWN | APPROVED |
|------|-----|-----------------------|------------|----------|------------|
| 1 | - | エンボス形状, 型式変更, 図番末尾1→2 | 2018.12.07 | M. Aruga | H. Higuchi |
| | | | | | |
| | | | | | |

A
B
C
D
E
F



| APPROVED | CHECKED | DESIGNED | DRAWN | TITLE | CODE | SCALE |
|------------|------------|------------|------------|------------------------------|----------------|--------|
| T. Hatano | A. Naito | T. Ozawa | T. Ozawa | Sling Hook HTL スリングフックHTL | HTL4080 | 1:2 |
| 2013.05.17 | 2013.05.17 | 2013.05.17 | 2013.05.17 | | P3HT080-11482Z | REV. 1 |

