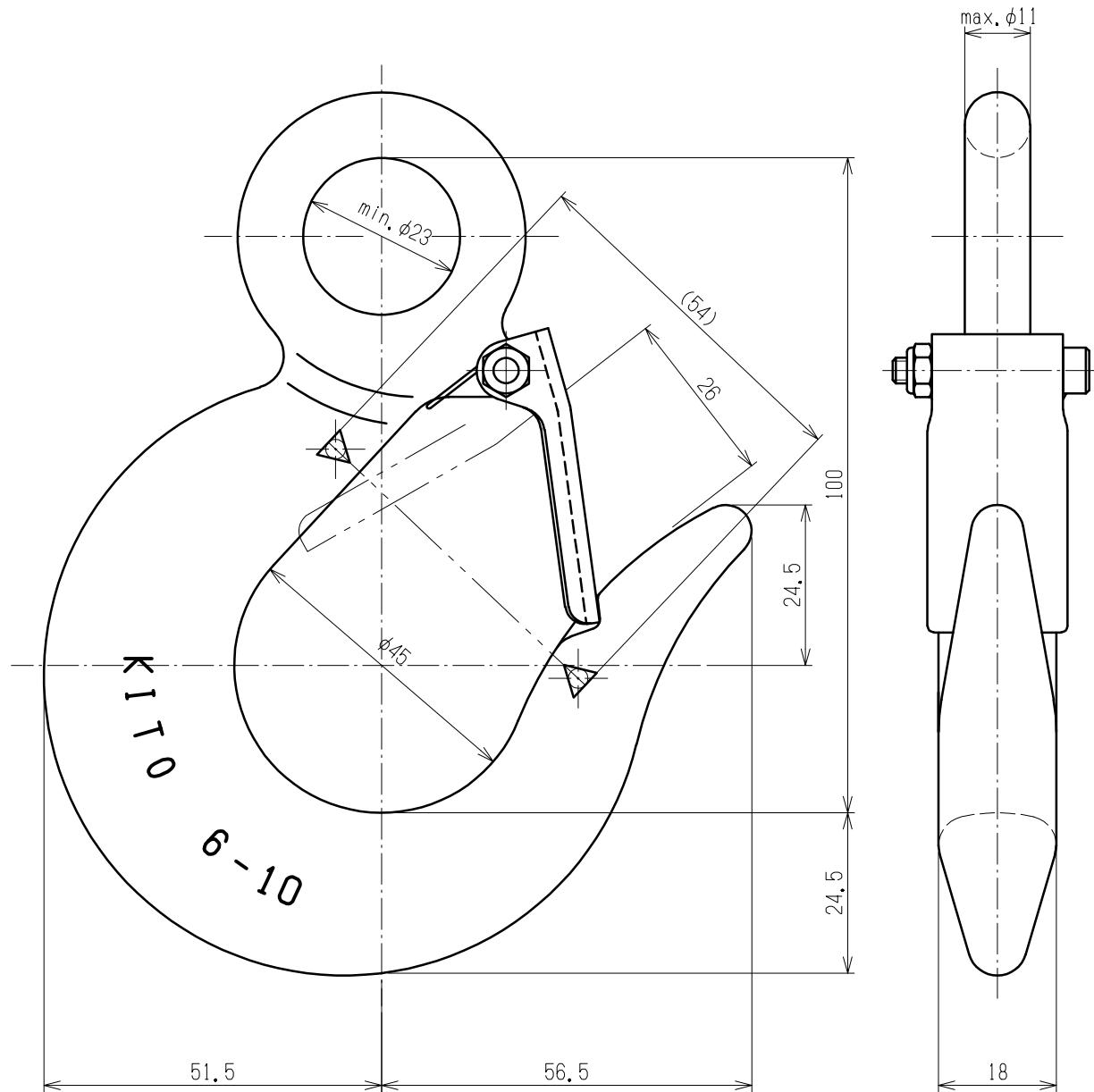


REV.	QTY	C O N T E N T S	DATE	DRAWN	APPROVED
1	-	エンボス形状, 型式変更, 図番末尾1→2	2018.12.07	M. Aruga	H. Higuchi



APPROVED	CHECKED	DESIGNED	DRAWN	TITLE		
T. Hatano	A. Naito	T. Ozawa	T. Ozawa	Sling Hook HTL スリングフックHTL		
2013.05.17	2013.05.17	2013.05.17	2013.05.17	CODE HTL4060	SCALE 1:1	
KITO				DWG. NO. P3HT060-11482Z	REV. 1	