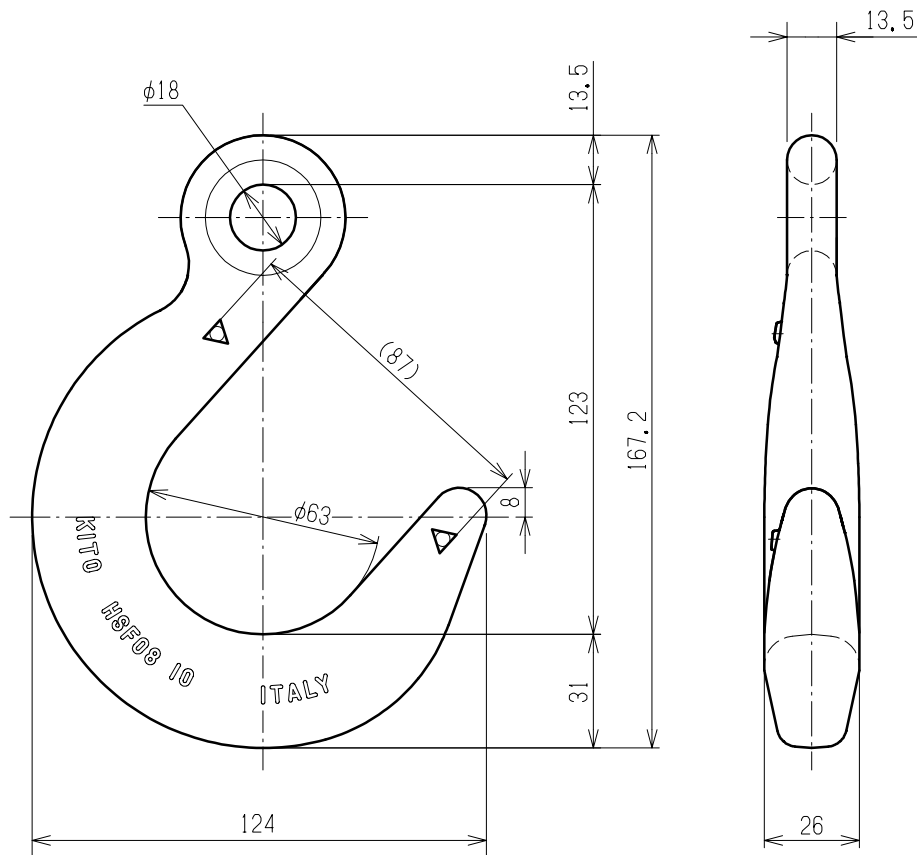


REV.	QTY	C O N T E N T S		DATE	DRAWN	APPROVED



APPROVED	CHECKED	DESIGNED	DRAWN	TITLE			
H. Higuchi	T. Ozawa	M. Aruga	M. Aruga	Foundry hook HSF ファンドリフック HSF			
2019.01.11	2019.01.11	2019.01.11	2019.01.11	CODE	HSF08	SCALE	1:2
KITO				DWG. NO.	P5HSF08090011Z	REV.	0