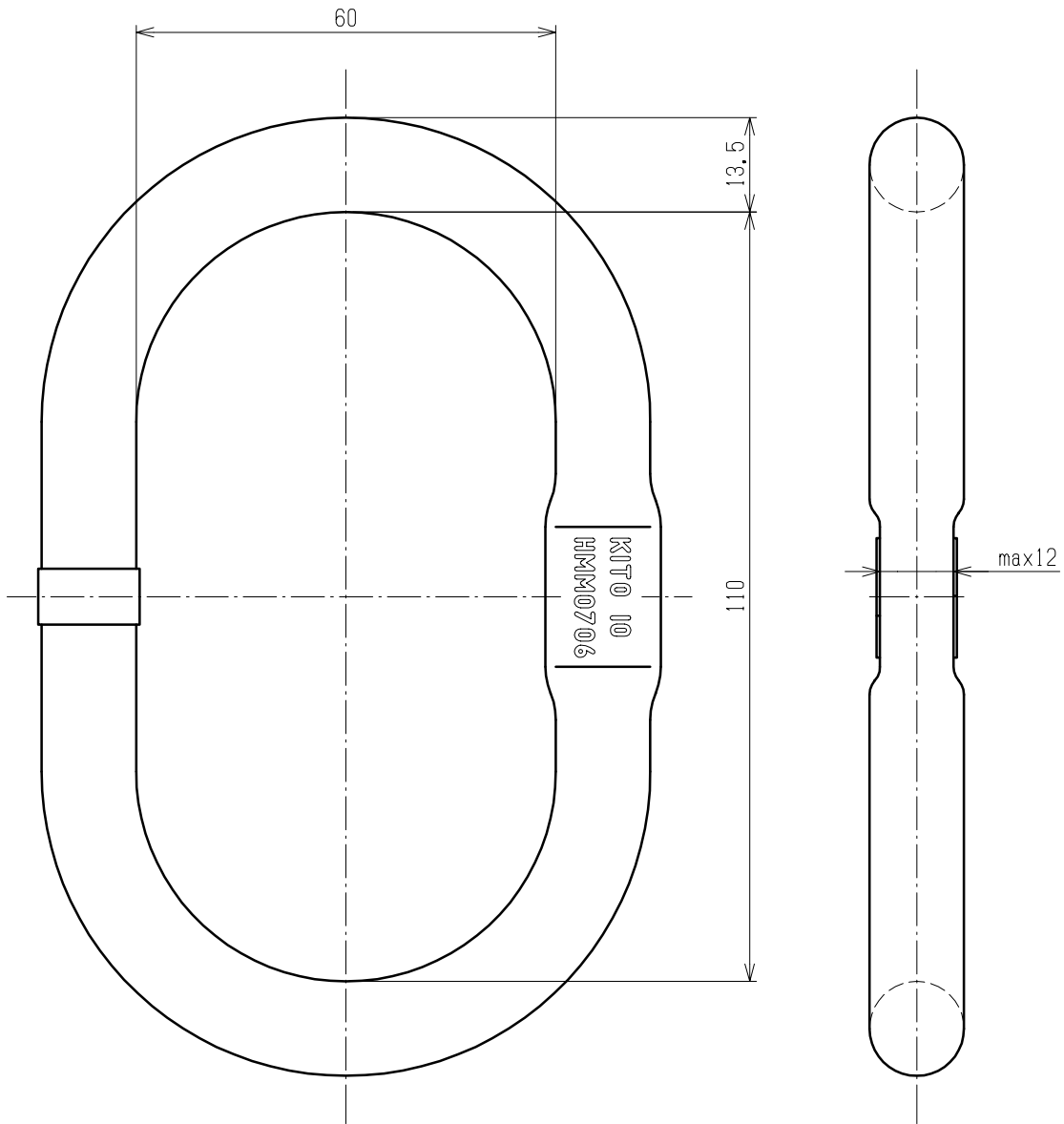


REV.	QTY	C O N T E N T S			DATE	DRAWN	APPROVED



APPROVED	CHECKED	DESIGNED	DRAWN	TITLE			
H. Higuchi	M. Aruga	M. Ono	H. Watanabe	Master link HMM マスターリンク HMM			
2018.07.24	2018.07.24	2018.07.24	2018.07.24	CODE	HMM0706	SCALE	1:1
KITO				DWG. NO.	P5HMM07090011Z	REV.	0