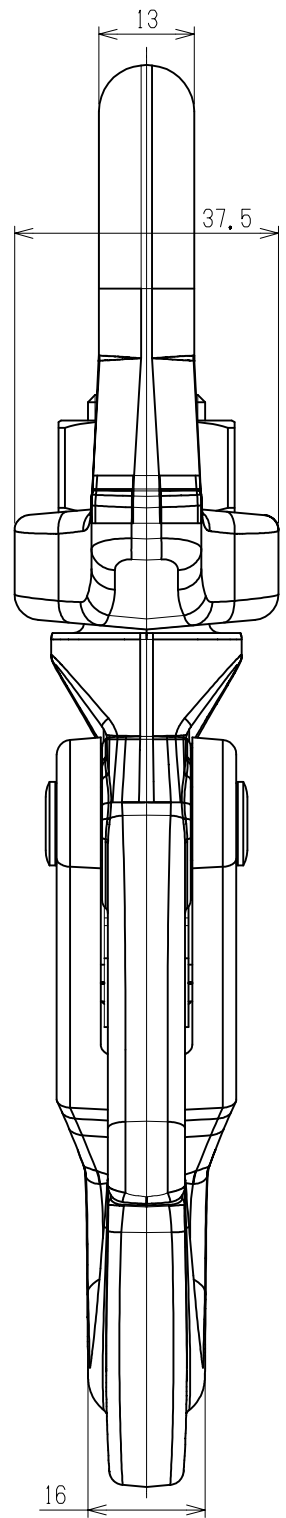
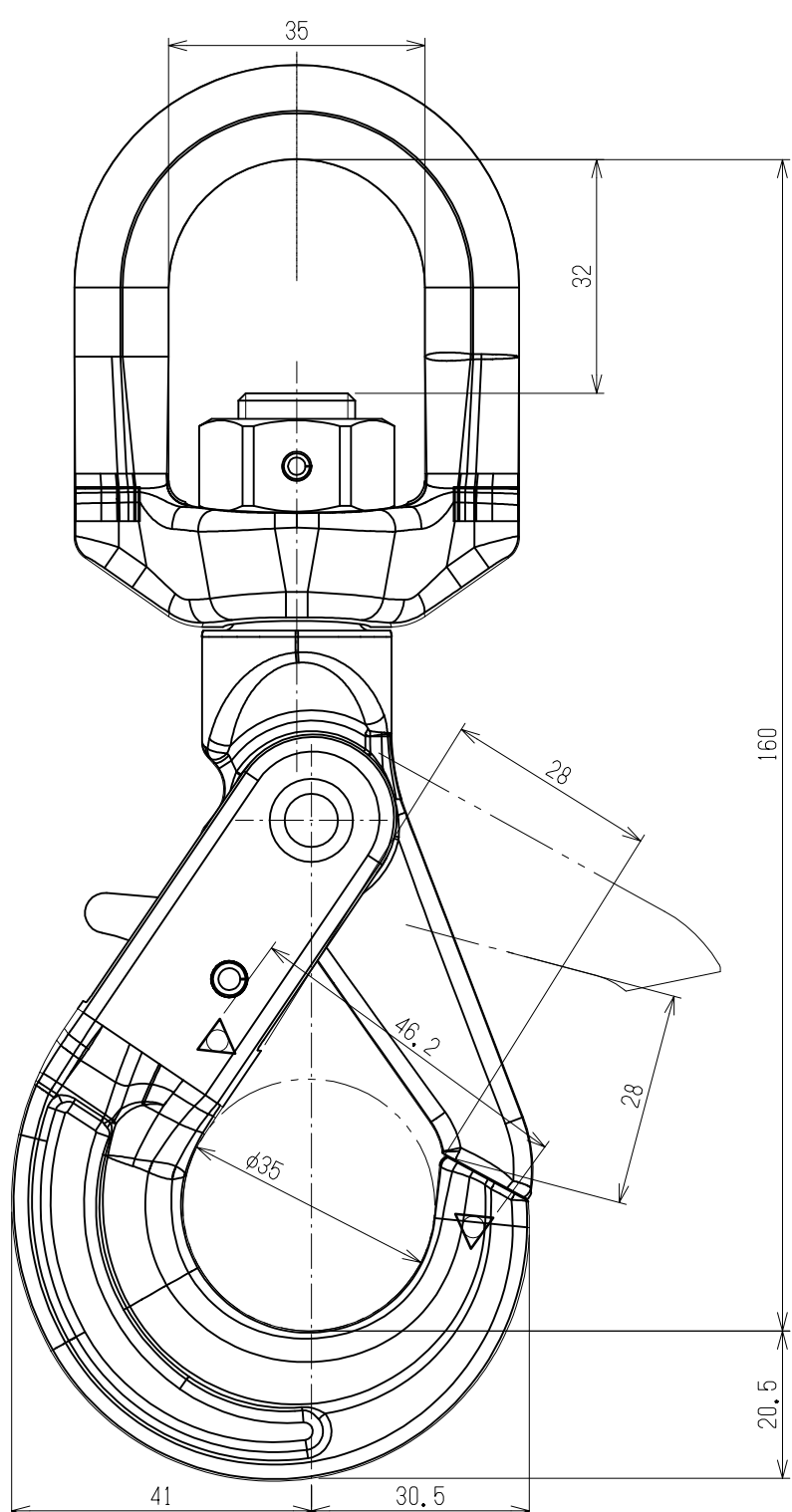


REV.	QTY	1	2	3	4	DATE	DRAWN	APPROVED
C O N T E N T S								



APPROVED	CHECKED	DESIGNED	DRAWN	TITLE		
H. Higuchi	M. Aruga	M. Aruga	M. Ono	Swivel self locking hook set スイベルフックHJK	SCALE	1:1
2018. 4. 02	2018. 4. 02	2018. 4. 02	2018. 4. 02	CODE P5HJK060	REV.	0
KITO				DWG. NO. P5HJK06020011Z		