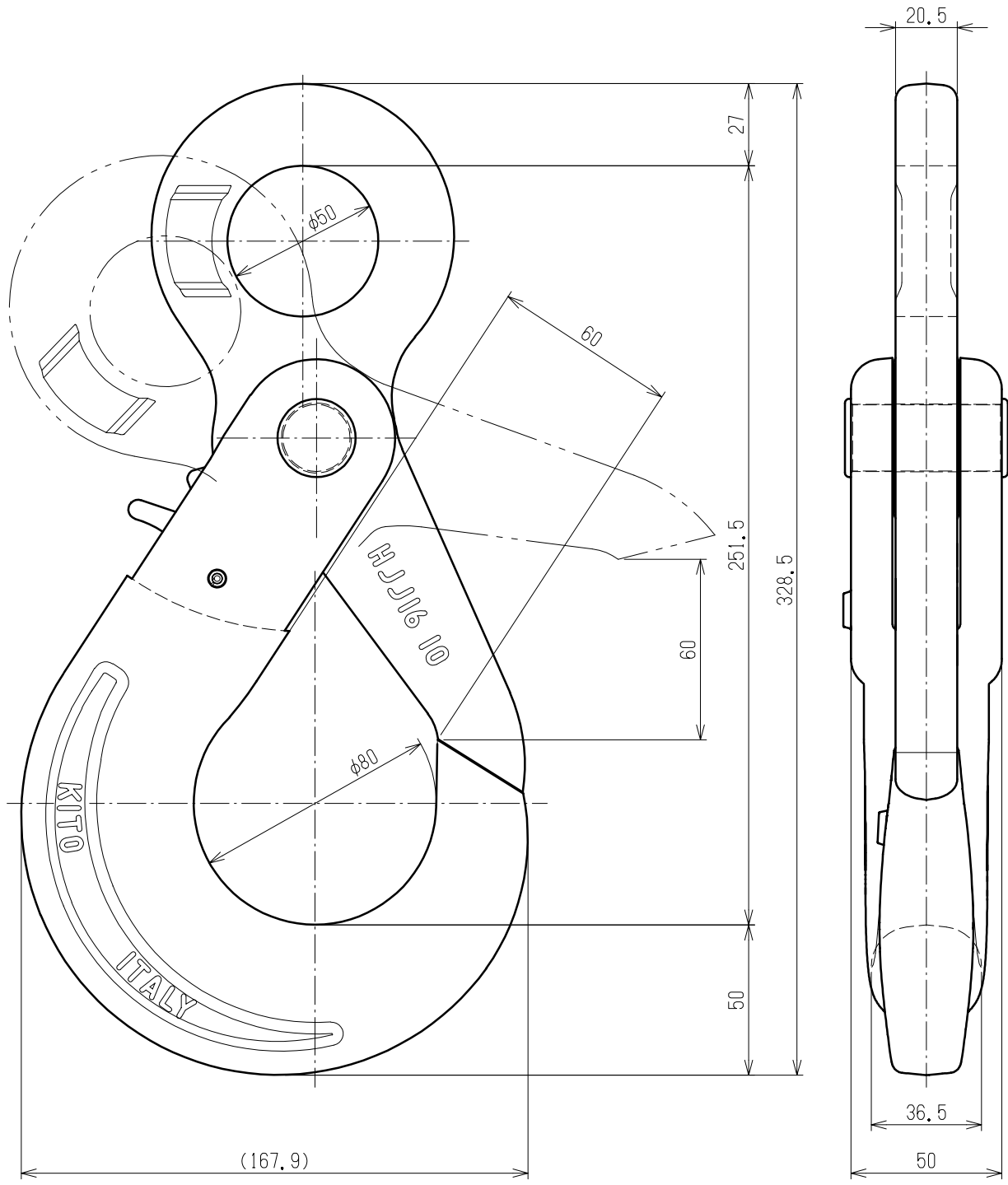


REV.	QTY	1	2	3	4	DATE	DRAWN	APPROVED
C O N T E N T S								



APPROVED	CHECKED	DESIGNED	DRAWN	TITLE			
H. Higuchi	M. Aruga	M. Ono	H. Watanabe	Self locking hook HJJ set シングルフック HJJ			
2018. 09. 24	2018. 09. 24	2018. 09. 24	2018. 09. 24	CODE	P5HJJ160	SCALE	
KITO				DWG. NO.	P5HJJ16020011Z	REV.	0