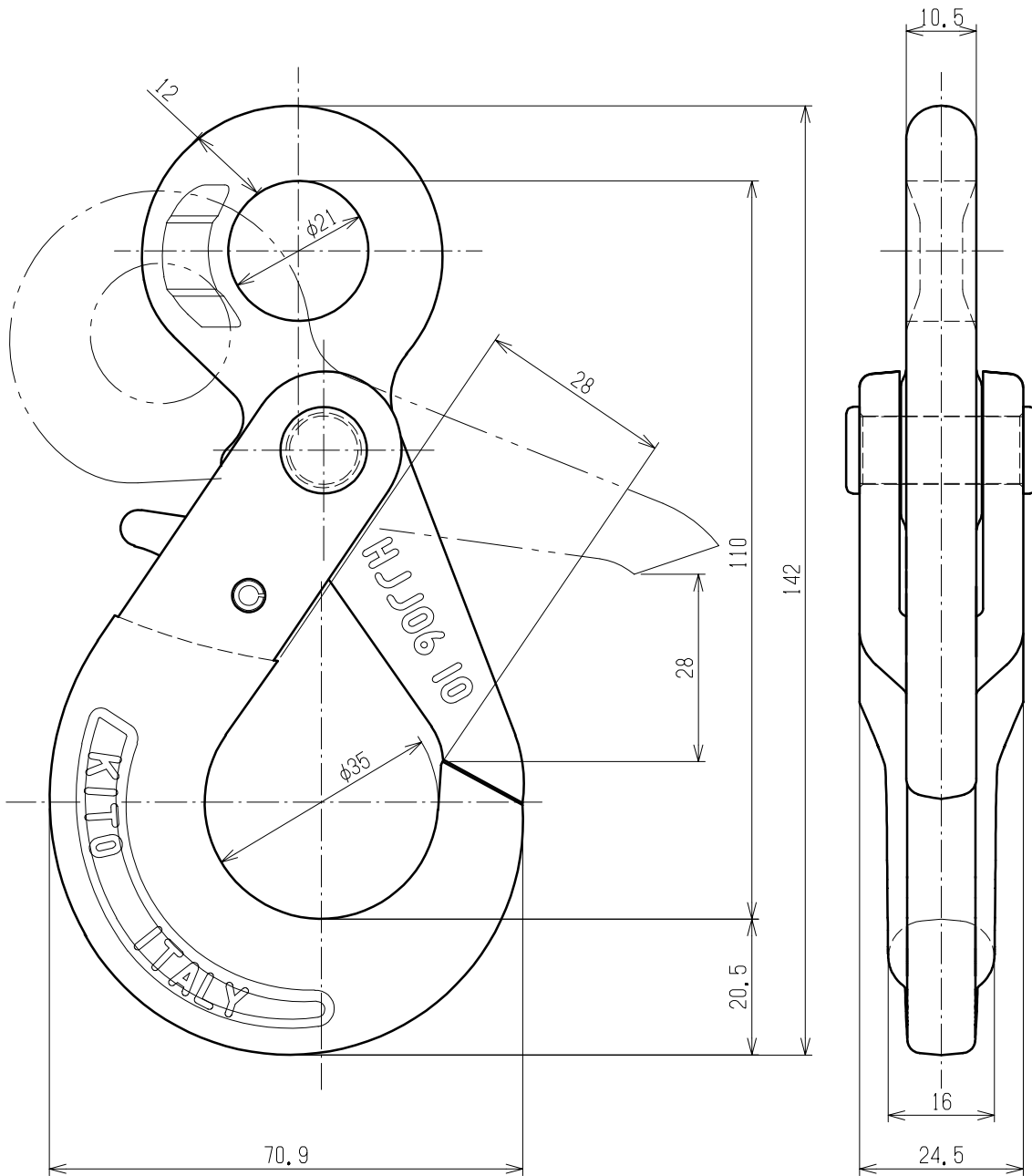


		1	2	3	4			
REV.	QTY	C O N T E N T S				DATE	DRAWN	APPROVED



APPROVED	CHECKED	DESIGNED	DRAWN	TITLE			
H. Higuchi	M. Aruga	M. Ono	H. Watanabe	Self locking hook HJJ シングルフック HJJ			
2018. 09. 24	2018. 09. 24	2018. 09. 24	2018. 09. 24	CODE	P5HJJ060	SCALE	1:1
<b>KITO</b>				DWG. NO.	P5HJJ06020011Z	REV.	0