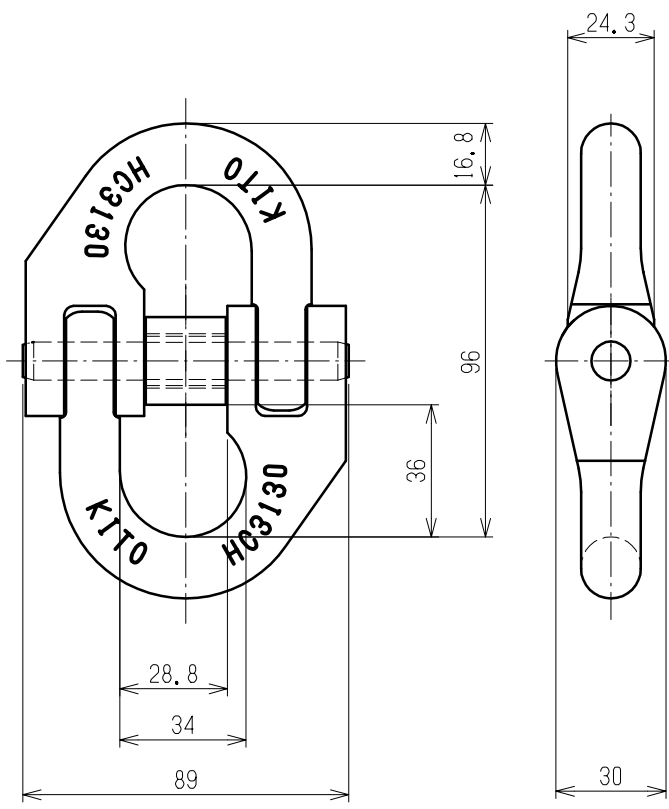



REV.	QTY	C O N T E N T S				DATE	DRAWN	APPROVED



APPROVED	CHECKED	DESIGNED	DRAWN	TITLE			
T. Hatano	A. Naito	T. Ozawa	T. Ozawa	ハイカップリングイッキ			
				CODE	HC3130	SCALE	1:2
				DWG. NO.	P4HC130-11212Z	REV.	