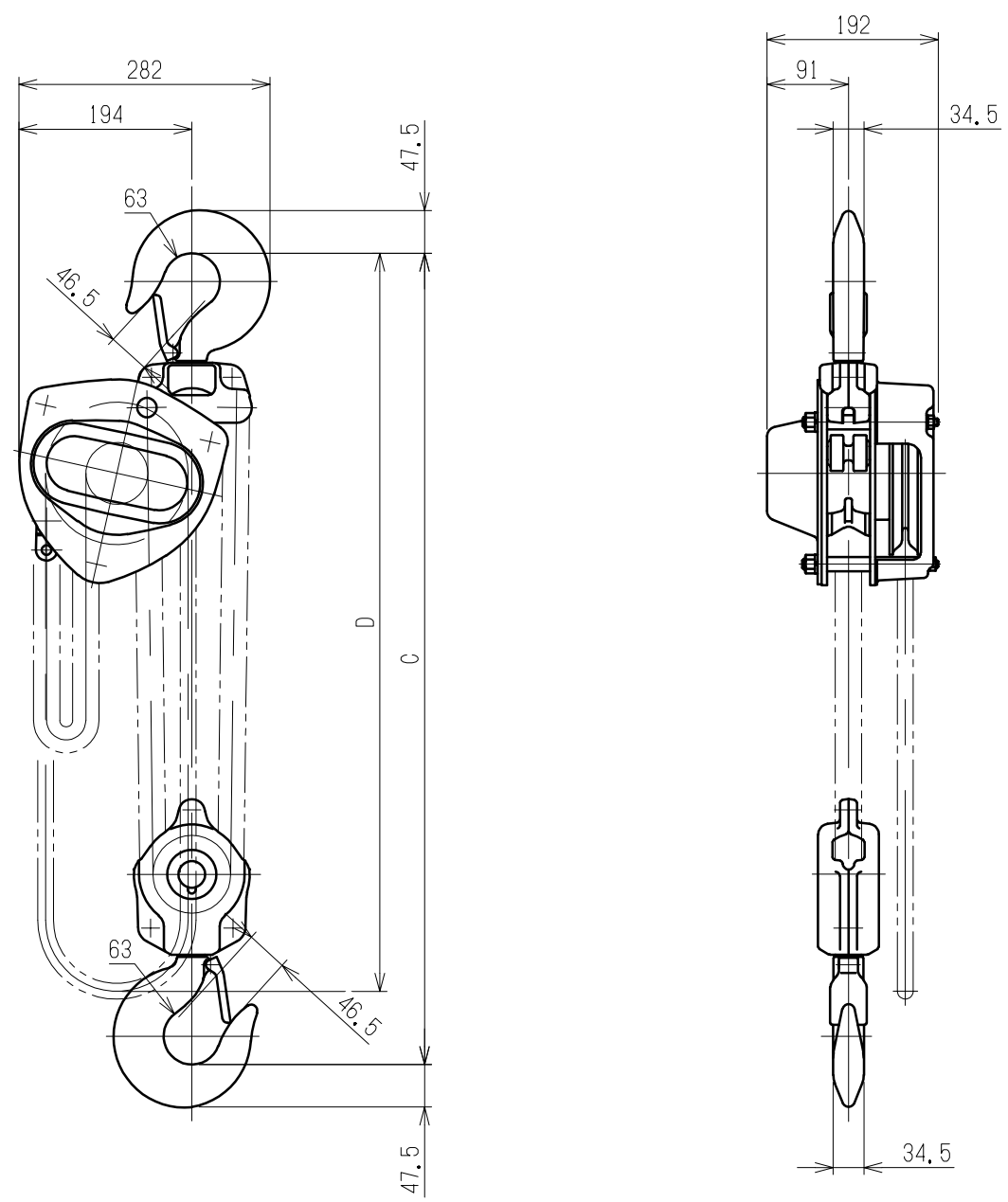


1 2 3 4 5 6 7 8 9



HAK-CB-5T

Specifications	
Working load limit	5 t
Std. lift	3.0 m
Min. headroom :C	600 mm
Chain pull to lift full load	333 N (34 kgf)
Hand chain Length from top hook :D	3.6 m
Load chain size	9 x 27 mm
Mass	41 kg
Note;	

A
B
C
D
E
F