

1 2 3 4 5 6 7 8 9

A

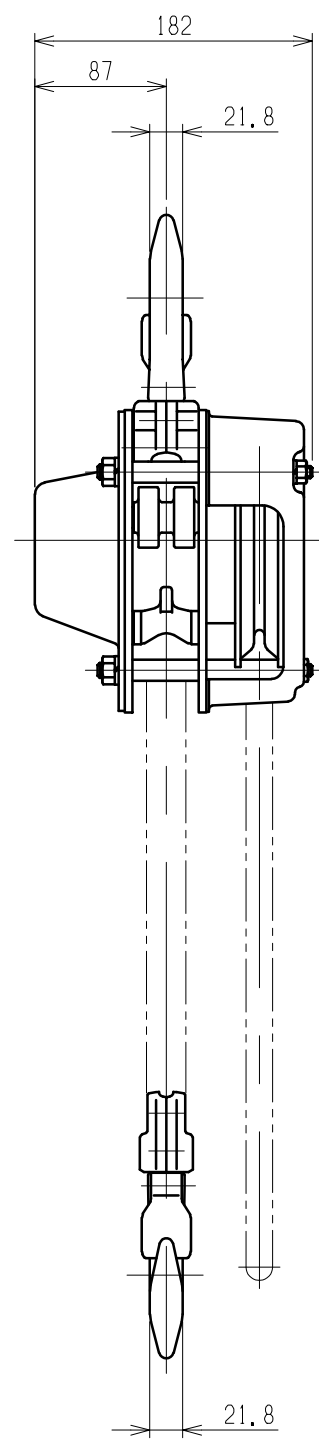
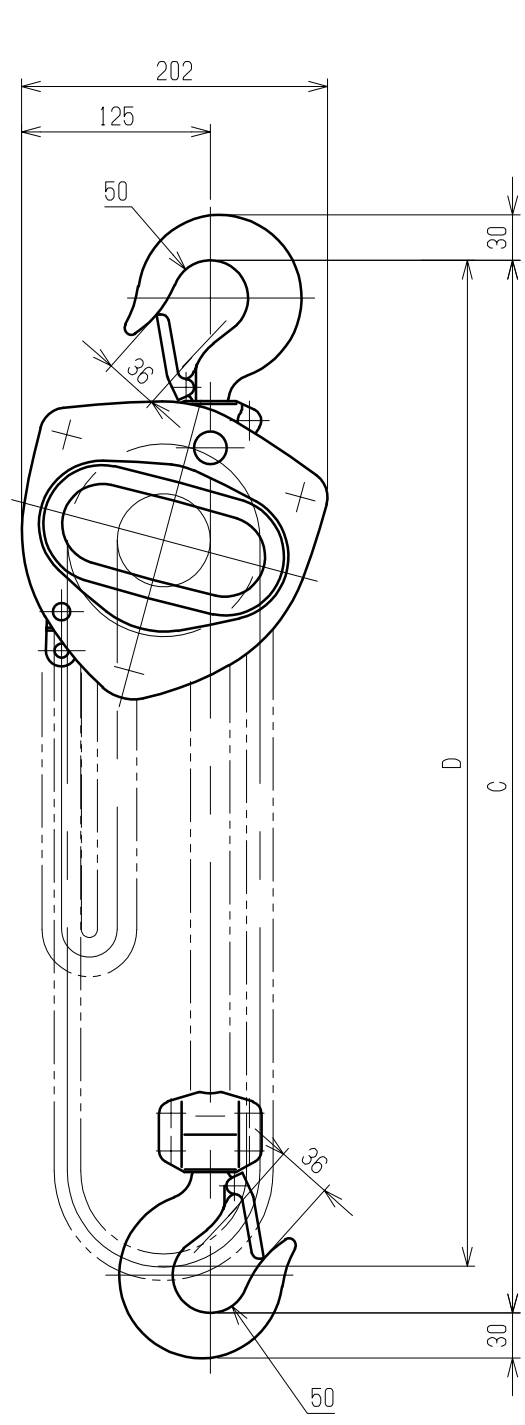
B

C

D

E

F



Specifications	
Working load limit	2 t
Std. lift	3.0 m
Min. headroom :C	375 mm
Chain pull to lift full load	353 N (36 kgf)
Hand chain Length from top hook :D	3.0 m
Load chain size	8 x 24 mm
Mass	20 kg
Note;	

HAK-CB-2T