

# Air tool balancer ATB

## Features

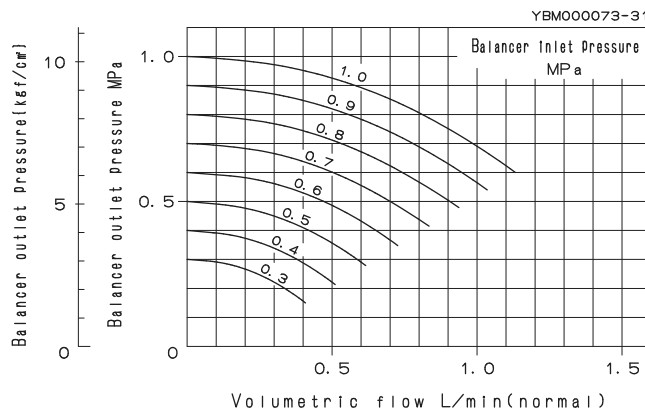
Inplace of the wire rope, the urethane hose is wound and air tools can be easily moved up and down.  
The casing and drum are made of acrylonitrile butadiene-styrene resin and are light weight.  
The diameter of the hose nipple is 9mm at inlet portion.  
And swivel joint size Rc.1/4 at outlet portion.

## Working conditions

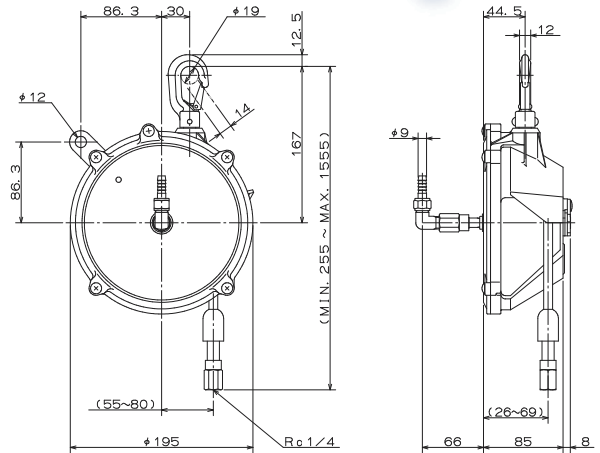
- Application area : Indoor and normal atmospheric conditions
- Temperature rang : -10°C to +40°C
- Application fluid : Air
- Maximum air pressure : 1.0MPa {10kgf/cm<sup>2</sup>}

Model	Capacity(kg)	Hose travel (m)	Air inlet.(φmm)	Mass(kg)
<b>ATB-0</b>	0.5-1.5	1.3	6.3	1.58
<b>ATB-1</b>	1.5-3.0	1.3	6.3	1.66
<b>ATB-2</b>	3.0-5.0	1.3	6.3	1.73

## Flow characteristics



## Dimensions(mm)



## FUNCTION



Ratchet system  
spring adjustment



Cushion cover  
available



CE Mark available

※ATB-2 is not available for CE Mark.

## Accessories

### Protect wire set

Parts number

**LBP000794**

The protector is available for tool fall protection caused by unintentionally detaching an air tool from a coupling.

