



# Users Manual

## Spring Balancer

**ELF-15      ELF-40      ELF-70**  
**ELF-22      ELF-50**  
**ELF-30      ELF-60**



For safe and correct operation of the product, please be sure to read this manual and fully understand its content before use.

After reading, keep the manual safe so that you can find and use it readily.

In case of resale or transfer of this product, make sure to transfer the manual to the new owner.

## CONTENTS

<b>1. Introduction .....</b>	<b>2</b>
Notation in this manual .....	2
Scope of warranty and liabilities for the equipment .....	3
Definition of intended users for this manual .....	3
Emergency contact in case of malfunctions .....	4
<b>2. Precautions for handling .....</b>	<b>4</b>
<b>3. Unpacking and Installation.....</b>	<b>4</b>
3-1 Packaging arrangement and transportation .....	4
3-2 Checks after unpacking .....	4
3-3 Disposal of packing materials.....	5
<b>4. Product Description .....</b>	<b>5</b>
4-1 Components .....	5
4-2 Operating environment .....	5
4-3 Product specifications .....	6
4-4 Applicable standards .....	6
<b>5. Installation .....</b>	<b>7</b>
5-1 Preparation and checks before installation .....	7
5-2 Installation procedures .....	8
5-3 Post-installation checks .....	10
<b>6. Usage .....</b>	<b>10</b>
6-1 Pre-operation inspections and checks .....	10
6-2 Precautions for use.....	11
6-3 Operation method of the drum lock .....	12
6-4 Replacement of the tools (equipment) .....	12
6-5 Periodical inspections.....	13
<b>7. Troubleshooting .....</b>	<b>14</b>
7-1 Countermeasures? .....	14
7-2 Releasing the fall-arrest device .....	14
<b>8. Dimensional Drawing .....</b>	<b>15</b>
<b>9. Consumables and Special Accessories .....</b>	<b>15</b>
<b>10. Disposal of Product .....</b>	<b>15</b>

# 1. Introduction



Thank you very much for your purchasing of the Spring Balancer. To prevent any trouble and obtain the best performance, please be sure to read this manual and fully understand its content.

## Notation in this manual

### Hazard levels

This product is designed with ultimate priority on the safety of operators. However, due to the nature of the system, there are risks that cannot be removed.

In this manual, the level of significance and risk is defined and indicated in three stages: "WARNING", "CAUTION", and "NOTICE". Thoroughly read and fully understand the indicated items before operating the product and performing maintenance procedures. The indications for "WARNING", "CAUTION", and "NOTICE" are in order of risk significance (WARNING > CAUTION > NOTICE). Their details are described below.

 <b>WARNING</b>	A situation that, if mishandled, may cause death or serious disability.
 <b>CAUTION</b>	A situation that, if mishandled, may cause minor or moderate injury.
<b>NOTICE</b>	Indicates a situation that, if mishandled, may cause property damage.

The extent of the problem described above (disability, injury, and property damage) is defined as follows.


**Serious disability:** Loss of eyesight, wound, burn (high-temperature or low-temperature), electric shock, bone fracture, poisoning, and other injuries that leave aftereffects and that require hospitalization or long-term outpatient treatment.

**Moderate injury:** Burn, electric shock, bone fracture, and other injuries that do not require hospitalization or long-term outpatient treatment.

**Minor injury:** Scratch, bruise, laceration, and other injuries that have a minor impact on health.





**Property damage:** Extended damage to buildings, household articles, and injury to domestic animals or pets.

Other than WARNING, CAUTION, and NOTICE described above, matters important to workers are indicated using the following format.

 <b>REMINDER</b>	Describes important details to be remembered for the operation.
---	---

### Symbols

This Users Manual uses the following symbols to simply provide information in addition to the indications above.

	Indicates a PROHIBITED action that must not be performed.		Indicates potential property damage or a danger that may inflict bodily injury.
	Indicates a REQUIRED action that must be performed.		Indicates that it is necessary to thoroughly read the manual and the relevant documents.

### Illustrations

This manual covers multiple models of the Spring Balancer. If their functions and details of operations are identical and can be correctly described in the same way, illustrations are provided taking a specific model as an example. Therefore, please note that the illustrations may be different from the actual equipment.

## Scope of warranty and liabilities for the equipment

### Warranty and liabilities for the equipment

1. We will repair or replace the product free of charge if a failure due to manufacturing defects occurs under proper usage during the warranty period. For details, contact us or your dealer.
2. The warranty will be void in the following cases:
  - 1) Change of ownership.
  - 2) Repair or modification performed by a party other than the manufacturer, agents, or dealers.
3. The warranty period is one (1) year from the date of purchase.
4. Repairs applicable to any of the following shall be charged even during the warranty period:
  - 1) Failure/damage caused by incorrect use.
  - 2) Failure/damage caused by use of non-authorized parts.
  - 3) Failure/damage caused by fire, earthquake, natural disaster, or other unexpected incident.
  - 4) Incident caused by fall, shock, negligence, or by inadequate storage.
  - 5) Failure/damage caused by use of parts or other equipment that are not included in this product.
  - 6) Replacement of consumables.
  - 7) Usage in violation of dangers or cautions stipulated in this manual.
  - 8) Failure/damage caused by any reason that is not attributable to the manufacturer.
5. Warranty exclusions such as opportunity loss.  
 Either during or after the warranty period, opportunity loss, damage to anything other than our product(s), or other duties imposed on you/your customer as a result of the failure of our product(s) are outside the scope of the warranty.

### Copyright and liabilities

The copyright for this manual is issued to Endo Kogyo Co., Ltd.  
 The manual is provided for the limited purpose of supporting the safe and proper use of the product. It cannot be used for other purposes.  
 The customer may not use or make copies of this manual, in whole or in part, outside of this purpose without receiving prior consent from Endo Kogyo Co., Ltd.  
 The customer is also prohibited from translating or modifying the content of the manual, in whole or in part.  
 The content described in the manual is subject to change without advance notice. Please note this in advance.

## Definition of intended users for this manual

This manual has been prepared to help all intended users involved with this product. From the stand point of safety, we have defined intended users according to their ability and experience and provided detailed descriptions for each group. This manual defines four user levels.

<b>Operator</b>	The operator is a user who engages in general operations. Maintenance and other operations that require special skills are excluded from the general operations. The operator is therefore not permitted to disassemble the main equipment. The operator should read the manual thoroughly and carry out their work with complete understanding of the operating procedures.
<b>Maintenance operator</b>	In addition to the work of the operator described above, the maintenance operator is permitted to perform installation, simple troubleshooting, and periodic inspections. The maintenance operator is required to develop sufficient knowledge and operating skill for this product. The maintenance operator should read the manual thoroughly and carry out their work with complete understanding of the equipment's characteristics and all work contents.







<b>Management supervisor</b>	The management supervisor is required to have sufficient knowledge of the product and advanced operating skill for this product. The management supervisor should manage not only the product itself but on-site operations that handle the product, comprehensively.
<b>Service engineer</b>	The service engineer is a worker with special knowledge and skills for installing the product, investigating the causes of a failure or damage, and performing repairs and overhauls. Service engineering (the work by the service engineer) is performed by our service technicians or authorized service technicians.

## Emergency contact in case of malfunctions

If any problem with the product arises, contact us or your dealer.

## 2. Precautions for handling

Incorrect handling of this product may cause damage to the product itself as well as a fire or injury. Thoroughly read the following precautions and be sure to heed the instructions when handling the machinery.

 <b>WARNING</b>	
	<ul style="list-style-type: none"> <li>● Do not use in explosive, flammable gas, or dusty atmospheres, any place where water or oil may splash, and near combustibles. This may cause fire or injury.</li> <li>● Do not perform any modification of the product.</li> </ul>
	The maintenance should be performed by a maintenance operator who has developed sufficient knowledge and operating skill for the balancer.
	<ul style="list-style-type: none"> <li>● Incorrect usage of the product may cause an injury. Use the product correctly in accordance with the descriptions in this manual.</li> <li>● Particularly, “WARNING”, “CAUTION”, and “NOTICE” described in this manual must be fully understood and always observed.</li> <li>● Install the product correctly in accordance with the descriptions in this manual.</li> </ul>
 <b>CAUTION</b>	
	<ul style="list-style-type: none"> <li>● Be sure to perform daily and periodic inspections.</li> <li>● Be sure to use the product within the capacity range that is described in “4-3-1 Specifications”.</li> </ul>

## 3. Unpacking and Installation

### 3-1 Packaging arrangement and transportation

The standard set of this product is packaged for delivery in a cardboard box. The total weight of the package is the sum of the weight described in “4-3-1 Specifications” and the weight of the packing materials (approximately 0.5 kg).  
When transporting the package, do not drop or allow impact to it.  
Prepare a box of a similar size for re-packaging.

### 3-2 Checks after unpacking

After opening the package, check that the following products are included. Please contact us if you find anything missing or damaged.

- Spring Balancer (main equipment) ---- 1 set
- Support Site guide or Users Manual --- 1 copy

### 3-3 Disposal of packing materials

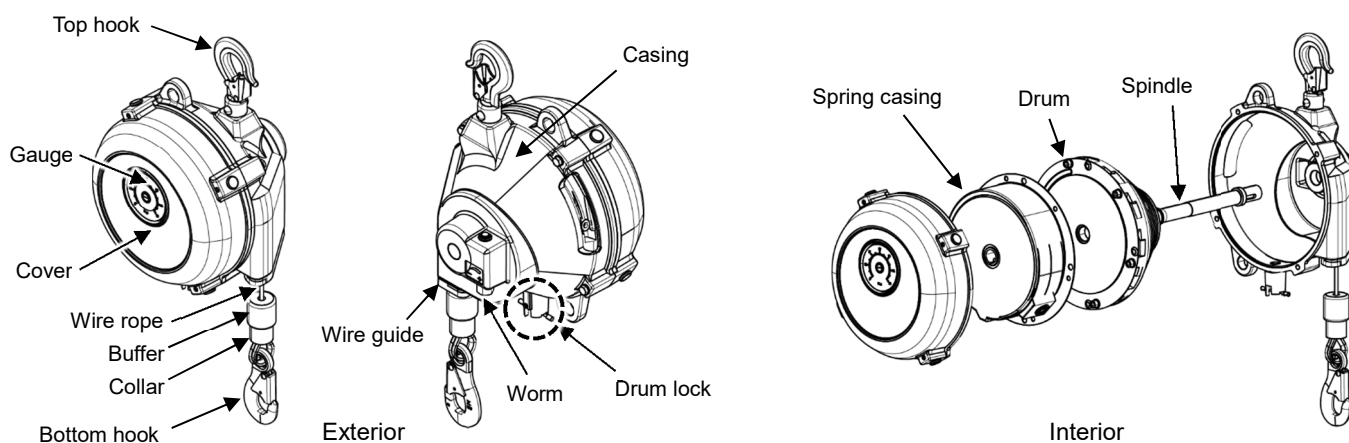
After opening the package, dispose of any packing and cushioning materials in accordance with the local regulations of the area where the product is used.

## 4. Product Description

### 4-1 Components

Note: The shapes and the number of springs differ according to the models.

#### 4-1-1 Main equipment



### 4-2 Operating environment

Installation location: General indoor  
Ambient temperature: -10°C to +50°C (no freezing)  
Humidity: 85% or less (no condensation)  
Atmosphere: Non-explosive, free of flammable or corrosive gas, or dust, water/oil should not splash directly.

## 4-3 Product specifications

### 4-3-1 Specifications

Model	Capacity range (kg)	Factory setting load (kg)	Stroke (m)	Wire rope diameter ( $\varphi$ mm)	Mass (kg)
ELF-15	9.0 to 15.0	12	2.5	4.76	10.0
ELF-22	15.0 to 22.0	18	2.5	4.76	10.2
ELF-30	22.0 to 30.0	26	2.5	4.76	11.0
ELF-40	30.0 to 40.0	35	2.5	4.76	14.5
ELF-50	40.0 to 50.0	45	2.5	4.76	14.9
ELF-60	50.0 to 60.0	55	2.5	4.76	17.1
ELF-70	60.0 to 70.0	65	2.5	4.76	18.0

### 4-3-2 Fall-arrest device

If the spring is ruptured, this device prevents the tool (equipment) attached to the bottom hook from falling across the entire stroke. If the spring is ruptured, the safety pin is activated from the spring casing and interferes (collides) with the pin installed on the spring casing, stopping the rotation of the drum.

For the method of releasing the activated fall-arrest device, refer to “7-2 Releasing the fall-arrest device”.

#### CAUTION



The fall-arrest device is not designed to prevent tools (equipment) from falling. Before using the balancer, be sure to check that the total mass (weight) of the tool (equipment) and the accessories is within the capacity range of the balancer.

#### NOTICE



If the spring tension is set lower than the minimum capacity, the fall-arrest device will be activated and prevent the vertical movement of the tool (equipment). (See “5-2-2 Installation of tools (equipment) and adjustment of the spring tension”.)

### 4-3-3 Drum lock device

You can lock the drum by setting the drum lock device. (See “6-3 Operation method of the drum lock”.) The drum lock is used to remove the tool (equipment) attached to the bottom hook or to replace the wire rope or the wire guide. (See “6-4-1 Method of removing the tool (equipment)”.)

## 4-4 Applicable standards

### ■ Machinery Directive 2006/42/EC

EN ISO 12100: Safety of machinery. General principles for design. Risk assessment and risk reduction

Note: Only the standard specification of this product complies with the standards. If the product is used in combination with non-standard parts or modified by the customer, the standards may no longer be complied with. Please note this in advance.

## 5. Installation

### **WARNING**



- **Install the balancer correctly in accordance with the descriptions in this manual. Incorrect installation may cause an injury, property damage, or damage to the balancer.**
- **Be sure to attach an auxiliary wire rope or chain to the balancer to protect workers in case the top hook or the support member (metal hanger) for the balancer should be damaged.**

### **CAUTION**



**The installation should be performed by a maintenance operator who has developed sufficient knowledge and operating skill for the balancer.**

### 5-1 Preparation and checks before installation

#### 5-1-1 Tools and equipment for installation

All of the following items must be prepared by the customer.

- Auxiliary wire rope or chain
- Support members (metal hangers)

#### 5-1-2 Check of installation location

Before installing the product, check that the installation location does not have any of the following problems.

- 1 Check that the support members have a sufficient strength.
- 2 Ensure that sufficient space for performing maintenance, including the adjustment of the spring tension, is available on a side of the main equipment.
- 3 Ensure that adequate work space is available around the main equipment.
- 4 Check that the installation location has the installation environment described in “4-2 Operating environment”.
- 5 If a trolley is used, attach a carabiner.
- 6 Check that there are no sharp edges in the installation location.



## 5-2 Installation procedures

### 5-2-1 Installation of the Spring Balancer

**⚠ CAUTION**

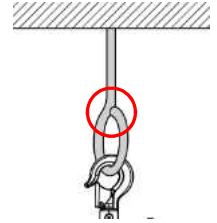


Do not fix the top hook. Using the product with the top hook fixed may cause damage or a fall.

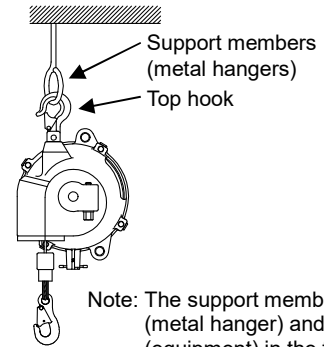
**NOTICE**



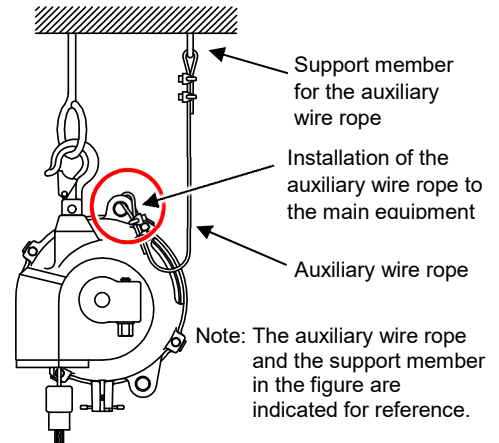
- Use a support member (metal hanger) with no opening as shown in the figure on the right, so that the balancer does not come off while in motion.
- Attach the support member such that the balancer does not collide with its surroundings.
- When installing multiple balancers alongside, place them at different heights so that they do not collide with each other.



- 1 Prepare a support member (metal hanger) with a sufficient strength. Attach the top hook of the balancer directly to the support member (metal hanger).



- 2 Check that the top hook latch is closed.
- 3 Ensure that the balancer moves freely.
- 4 Prepare an auxiliary wire rope or chain that has a strength at least 10 times greater than the maximum capacity of the balancer.
- 5 As shown in the figure on the right, attach an end of the auxiliary wire rope or chain to a support member (metal hanger) different from the support member (metal hanger) to which the top hook has been attached. Attach the other end of the auxiliary wire rope or chain to the main equipment of the balancer.



**⚠ CAUTION**

**Loosen the auxiliary wire rope or chain to allow the balancer to move freely.**

**The slack must be such that the balancer stops within 100 mm if the top hook or the support member (metal hanger) for the balancer are damaged and the balancer falls.**

**5-2-2 Installation of tools (equipment) and adjustment of the spring tension**

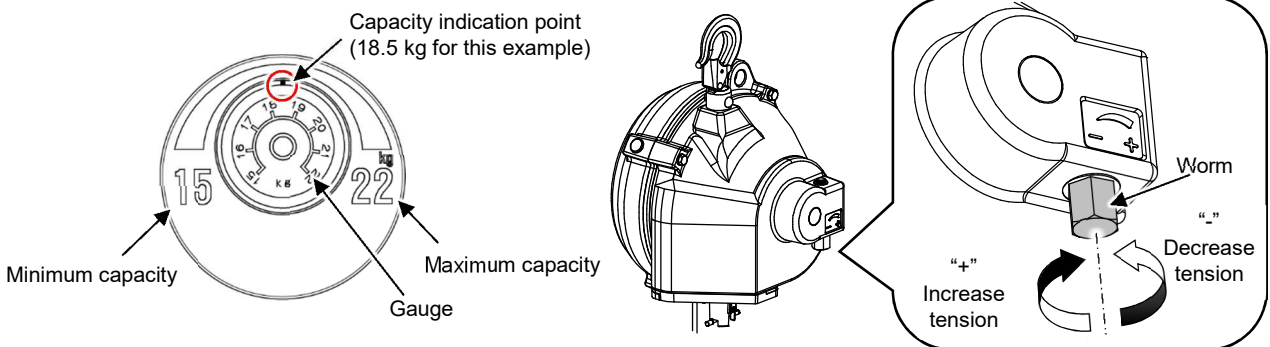
**⚠ WARNING**

**Do not pull out the wire rope when the balancer is not loaded. If the wire rope is released by mistake while being pulled out without a load, it may quickly be wound up, causing an injury.**

**NOTICE**

**If the spring tension is set higher than the maximum capacity, not only will the specified stroke not be obtained, but the life of the spring will also be reduced. Also, if the spring tension is set lower than the minimum capacity, the fall-arrest device will be activated and prevent the vertical movement of the tool (equipment).**

- 1 Check whether the total mass (weight) of the tool (equipment) and the accessories is within the capacity range of the balancer.
- 2 While checking the gauge, turn the worm with a spanner or the like to adjust the spring tension so that the tension is suitable for the mass (weight) of the tool.
  - The tension will increase if you turn the worm in the “+” direction (clockwise).
  - The tension will decrease if you turn the worm in the “-” direction (counterclockwise).



- 3 Lift the tool (equipment) and attach it to the bottom hook of the balancer. Do not pull out the wire rope.
- 4 After attaching the tool (equipment), perform readjustment and ensure that balance is achieved.


**NOTICE**

**If the spring tension is too strong, the main equipment of the balancer or the wire rope may be damaged.**

## 5-3 Post-installation checks

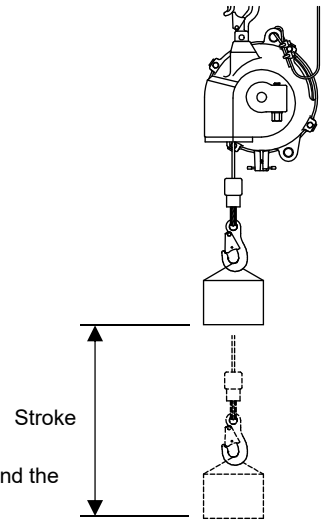
### 5-3-1 Checking the working range (stroke)

**NOTICE**

 Do not extend the wire rope beyond the stroke. Doing so may damage the balancer.


- 1 Ensure that work can be performed within the range of the stroke. For the stroke of each product, see “4-3-1 Specifications”.
- 2 If the range of the stroke is insufficient, lower the installation height of the balancer or use an appropriate sling between the bottom hook and the tool (equipment).


Note: The auxiliary wire rope, the support member, and the tool (equipment) in the figure are indicated for reference.



## 6. Usage

### 6-1 Pre-operation inspections and checks

 **WARNING**

 If any abnormality is found as a result of inspection, do not use the balancer.

- If any loose bolts or screws are found in the inspections, retighten the bolts and screws.
- When you notice any wear, deterioration or deformation of the parts, contact us or your dealer.

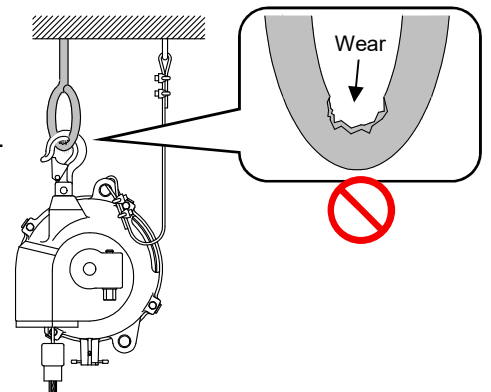
Inspect and check the following items before starting the operation:

#### ■ Check of the surroundings

- 1 Ensure that there is no trash or unnecessary equipment around the balancer or in the work space.
- 2 If there is any obstacle and the like that cannot be removed, contact the person in charge of the work.

#### ■ Inspection of the support member (metal hanger)

- 1 Check that the support member (metal hanger) is not worn.
- 2 If any wear is found, immediately stop the operation.

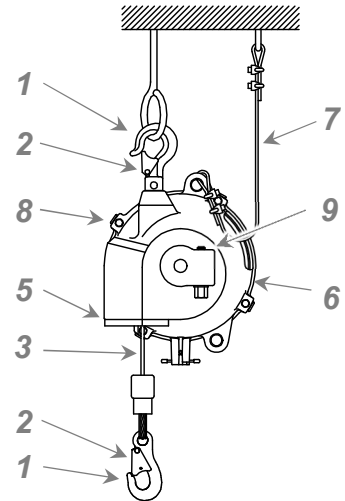


Note: The support member (metal hanger) in the figure is indicated for reference.

■ **Check of the main equipment of the balancer**

For the main equipment of the balancer, perform the following inspections and checks.

- 1 Check that the top and bottom hooks are not worn and can rotate smoothly.
- 2 Check that the latches of the top and bottom hooks are not deformed and do not come off the hooks.
- 3 Check that the wire rope is not worn (Note: particular attention should be paid to wire breakage and the base of terminal locks).
- 4 Check that the buffer is not worn or cracked.
- 5 Check for significant wear or cracks in the wire guide. Check that the mounting screws are not loose.
- 6 Check that the case is not worn, the mounting bolts are not loose, and air is not leaking.
- 7 Check that the auxiliary wire rope (or chain) is not worn and the mounting bolts are not loose.
- 8 Check that the pin and the safety pin have not dropped off.
- 9 Check the E-type retaining ring is not removed.
- 10 Check that the screws and the bolts in various parts are not loose.



Note: The support member (metal hanger) and the auxiliary wire rope in the figure are indicated for reference.

**6-2 Precautions for use**

**! WARNING**

- Do not move directly under the tool (equipment) suspended from the balancer.
- Do not perform any modification of the balancer.
- Do not remove tools (equipment) with the wire rope pulled out. The wire rope may be quickly wound up, causing an injury.

**! CAUTION**

- Be sure to use the product within the capacity range. (Refer to the capacity range in "4-3-1 Specifications")

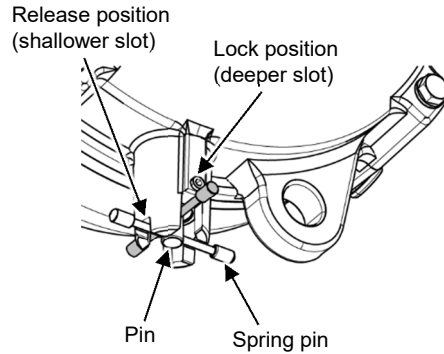
**NOTICE**

- Do not extend the wire rope further than its stroke.
- Do not extend the wire rope in an oblique direction.
- Adjust the spring tension before the operation.

Remove the tool (equipment) while lifting it and with the wire rope completely wound inside the drum.

## 6-3 Operation method of the drum lock

Operate the drum lock according to the figure below.



### 6-3-1 Activation of the drum lock

#### **WARNING**



- Do not remove the tool (equipment) attached to the bottom hook until it is confirmed that the drum is securely locked. If the drum is locked inadequately, the drum lock may be released during the work. Then, the wire rope may be quickly wound up, causing an injury.

- 1 Remove the spring pin from the release position and move it to the lock position.
- 2 Move the tool (equipment) up and down to check that the drum is securely locked.

### 6-3-2 Release of the drum lock

#### **WARNING**



- Do not release the drum lock when the balancer is not loaded or after the tool (equipment) is replaced with one with a different mass (weight). If the drum lock is released in such situations, the wire rope may be quickly wound up as soon as the lock is released, the tool may fall, or an injury may be caused. Attach the tool and adjust the spring tension before releasing the drum lock.

- 1 If the tool has been removed, be sure to attach the removed tool.
- 2 Remove the spring pin from the lock position and move it to the release position.

## 6-4 Replacement of the tools (equipment)

### 6-4-1 Method of removing the tool (equipment)

#### **WARNING**




- Do not move directly under the tool (equipment) suspended from the balancer.
- Do not remove tools (equipment) with the wire rope pulled out. The wire rope may be quickly wound up, causing an injury.


- 1 Confirm that the tool (equipment) can be moved up and down.
- 2 Lift the tool and wind the wire rope completely inside the drum.
- 3 Remove the tool (equipment).

### 6-4-2 Method of attaching the tool (equipment)


 **WARNING**

 • Do not move directly under the tool (equipment) suspended from the balancer.

 **CAUTION**


 Be sure to use the product within the capacity range. (Refer to the capacity range in “4-3-1 Specifications”)


**NOTICE**

 Adjust the spring tension before the operation.


- 1 Check whether the total mass (weight) of the tool (equipment) and the accessories is within the capacity range of the balancer.
- 2 Install the tool (equipment) and adjust the spring tension in accordance with “0 Installation of tools (equipment) and adjustment of the spring tension”.

### 6-4-3 Replacement of the tool (equipment) using the drum lock


 **WARNING**

 • Do not move directly under the tool (equipment) suspended from the balancer.  
• Do not replace the tool with one with a different mass.  
• Do not remove the tool before checking that the drum is securely locked by moving the tool (equipment) up and down. If the drum is locked inadequately, the drum lock may be released during the work. Then, the wire rope may be quickly wound up, causing an injury.

 **CAUTION**

 Be sure to use the product within the capacity range. (Refer to the capacity range in “4-3-1 Specifications”)

**NOTICE**

 Adjust the spring tension before the operation.

- 1 Confirm that the tool (equipment) can be moved up and down.
- 2 Lock the drum within the range of the stroke according to “6-3 Operation method of the drum lock”, and then remove the tool.
- 3 Confirm that the mass of the tools is identical, and attach the tool (equipment) according to “0 Installation of tools (equipment) and adjustment of the spring tension”.

## 6-5 Periodical inspections

Perform an inspection at least once per month.

For the method of the periodical inspections, download “Repair Manual” from our website and refer to “2-2 Periodical inspections” in “Repair Manual”.


<http://www.endo-kogyo.co.jp>

If the product is used in an unfavorable environment or used frequently, reduce the interval between the inspections.


## 7. Troubleshooting

### 7-1 Countermeasures?

**⚠ WARNING**

 Do not remove the tool (equipment) attached to the wire rope end until the cause of the failure is identified. If the tool (equipment) is removed, the wire rope may be quickly wound up, causing an injury.

**⚠ CAUTION**

 If you notice anything unusual, stop the operation immediately. After checking the items listed in the table below, appropriate measures should be taken by a maintenance operator who has developed sufficient knowledge and operating skill for the balancer.

- If the situation does not relate to any of the listed items in the table below, contact us or your dealer.

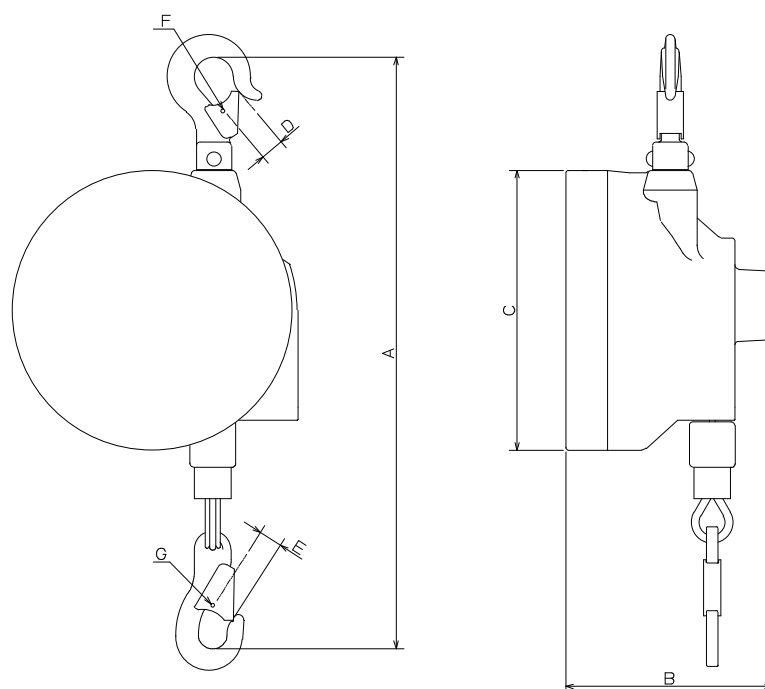
Failure	Reason	Measure
• The wire rope cannot be pulled out or wound.	• The drum lock is activated.	• Release the drum lock. See “6-3 Operation method of the drum lock”.
	• The spring tension is increased too much and the spring has been tightly wound.	• Decrease the spring tension. See “0 Installation of tools (equipment) and adjustment of the spring tension”.
	• The spring tension is decreased too much and the fall-arrest device has been activated.	• Release the fall-arrest device. See “7-2 Releasing the fall-arrest device”.
	• The wire rope came off the groove on the drum and is caught between the casing and the drum.	• Return the wire rope to the groove on the drum. See “2-6 Countermeasures when the wire rope is caught between the drum and the casing” in “Repair Manual”.
	• The spring has been ruptured.	• Replace the spring. See “2-4 Replacement of the spring” in “Repair Manual”.

### 7-2 Releasing the fall-arrest device

If the fall-arrest device is activated, for example, when the spring tension is reduced too much, release the fall-arrest device with the following procedure.

- 1 Move the tool (equipment) up and down manually.  
The tool can be moved up and down within approximately 70 mm to 160 mm.
- 2 If the tool descends after being lifted up by hand and then released, turn the worm in the “+” direction (clockwise) until the tool starts ascending. At this time, never remove the tool.
- 3 Confirm that the tool can be moved up and down, and that the fall-arrest device is released.
- 4 If the fall-arrest device cannot be released with the procedure above, the spring is ruptured. Replace the spring according to “2-4 Replacement of the spring” in “Repair Manual”.

## 8. Dimensional Drawing



Outline drawing (Table of external dimensions)

Model	Dimension (mm)							
	A		B	C	D	E	F	G
	MIN.	MAX.						
ELF-15, 22, 30	469	2969	213	φ230	18	18	φ3.2	φ3.2
ELF-40, 50	487	2987	228	φ250	18	18	φ3.2	φ3.2
ELF-60, 70	487	2987	258	φ250	18	18	φ3.2	φ3.2

## 9. Consumables and Special Accessories

The consumables include the following parts. If any of these parts are broken or any wear or damage is found, replace them.

- Spring
- Wire rope
- Wire guide
- Drum

Note: For the replacement of the consumables and other parts, download “Repair Manual” from our website or contact us or your dealer.

For special accessories of the Spring Balancer, check in the catalog linked on our website.

Our website: <http://www.endo-kogyo.co.jp/>

## 10. Disposal of Product

When disposing of the product, follow the local regulations of the area where the product to be disposed, and dispose it as industrial waste.



## **ENDO 遠藤工業株式会社**

〒959-1261 新潟県燕市秋葉町 3 丁目 14 番 7 号  
<http://www.endo-kogyo.co.jp>

本社営業部	〒959-1261 新潟県燕市秋葉町 3 丁目 14 番 7 号 TEL : 0256-62-5133 FAX : 0256-62-5772
エコファクトリー	〒959-1276 新潟県燕市小池 5181 番地 1 TEL : 0256-63-9306 FAX : 0256-63-4393
東京営業部	〒101-0042 東京都千代田区神田東松下町 12 番 2 号 JBSL 神田ビル 2F TEL : 03-5295-3711 FAX : 03-5295-3717
名古屋営業所	〒460-0011 愛知県名古屋市中区大須 1 丁目 7 番 14 号パーク IM ビル 3F TEL : 052-253-6231 FAX : 052-253-6240
大阪営業部	〒556-0021 大阪府大阪市浪速区幸町 2 丁目 3 番 14 号ダイトービル 3F TEL : 06-6568-1571 FAX : 06-6568-1573
九州営業所	〒812-0013 福岡県福岡市博多区博多駅東 3 丁目 11 番 15 号文喜ビル 3F TEL : 092-412-5281 FAX : 092-412-5280
サービス営業グループ	〒959-1261 新潟県燕市秋葉町 3 丁目 14 番 7 号 TEL : 0256-64-4786 FAX : 0256-62-5772 E-mail : <a href="mailto:service@endo-kogyo.co.jp">service@endo-kogyo.co.jp</a>

---

## **ENDO ENDO KOGYO CO., LTD.**

3-14-7, Akiba cho, Tsubame, Niigata 959-1261, Japan  
<http://www.endo-kogyo.co.jp/> TEL: 81-256-62-5133

- 本書、ならびに本製品の仕様は、改善のために予告なしに変更することがあります。
- 本書の内容の無断転載を禁止します。
- This manual and the specifications of this product are subject to change for improvement without advance notice.
- It is strictly prohibited to reprint or copy any information contained in this manual.



# Repair Manual

## Spring Balancer

**ELF-15**

**ELF-40**

**ELF-70**

**ELF-22**

**ELF-50**

**ELF-30**

**ELF-60**



For safe and correct operation of the product, please be sure to read this manual and fully understand its content before use.

After reading, keep the manual safe so that you can find and use it readily.

In case of resale or transfer of ownership of this product, make sure to transfer the manual to the new owner.

# Introduction



Thank you very much for purchasing the Spring Balancer. To prevent any trouble and obtain the best performance, please be sure to read this Repair Manual and the separate Users Manual, and fully understand their content.

## Notation in this manual

### Hazard levels

This product is designed with ultimate priority on the safety of operators. However, due to the nature of the system, there are risks that cannot be removed.

In this manual, the level of significance and risk is defined and indicated in three stages: "WARNING", "CAUTION", and "NOTICE". Thoroughly read and fully understand the indicated items before operating the product and performing maintenance procedures. The indications for "WARNING", "CAUTION", and "NOTICE" are in order of risk significance (WARNING > CAUTION > NOTICE). Their details are described below.

 <b>WARNING</b>	A situation that, if mishandled, may cause death or serious disability.
 <b>CAUTION</b>	A situation that, if mishandled, may cause minor or moderate injury.
<b>NOTICE</b>	A situation that, if mishandled, may cause property damage.

The extent of the problem described above (disability, injury, and property damage) is defined as follows.


**Serious disability:** Loss of eyesight, wound, burn (high-temperature or low-temperature), electric shock, bone fracture, poisoning, and other injuries that leave aftereffects and that require hospitalization or long-term outpatient treatment.

**Moderate injury:** Burn, electric shock, bone fracture, and other injuries that do not require hospitalization or long-term outpatient treatment.

**Minor injury:** Scratch, bruise, laceration, and other injuries that have a minor impact on health.





**Property damage:** Extended damage to buildings, household articles, and injury to domestic animals or pets.

Other than WARNING, CAUTION, and NOTICE described above, matters important to workers are indicated using the following format.

 <b>REMINDER</b> Describes important details to be remembered for the operation.
--

## Symbols

This Users Manual uses the following symbols to simply provide information in addition to the indications above.

	Indicates a PROHIBITED action that must not be performed.		Indicates potential property damage or a danger that may inflict bodily injury.
	Indicates a REQUIRED action that must be performed.		Indicates that it is necessary to thoroughly read the manual and the relevant documents.

## Illustrations

This manual covers multiple models of the Spring Balancer. If their functions and details of operations are identical and can be correctly described in the same way, illustrations are provided taking a specific model as an example. Therefore, please note that the illustrations may be different from the actual equipment.

## Scope of warranty and liabilities for the equipment

---

### Warranty and liabilities for the equipment

1. We will repair or replace the product free of charge if a failure due to manufacturing defects occurs under proper usage during the warranty period. For details, contact us or your dealer.
2. The warranty will be void in the following cases:
  - 1) Change in ownership.
  - 2) Repair or modification performed by a party other than the manufacturer, agents, or dealers.
3. The warranty period is one (1) year from the date of purchase.
4. Repairs applicable to any of the following shall be charged even during the warranty period:
  - 1) Failure/damage caused by incorrect use.
  - 2) Failure/damage caused by use of non-genuine parts.
  - 3) Failure/damage caused by fire, earthquake, natural disaster, or other unexpected incident.
  - 4) Incident caused by fall, shock, negligence, or by inadequate storage.
  - 5) Failure/damage caused by use of parts or other equipment that are not included in this product.
  - 6) Replacement of consumables.
  - 7) Usage in violation of dangers or cautions stipulated in the Users Manual and this manual.
  - 8) Failure/damage caused by any reason that is not attributable to the manufacturer.
5. Warranty exclusions such as opportunity loss.

Either during or after the warranty period, opportunity loss, damage to anything other than our product(s), or other duties imposed on you/your customer as a result of the failure of our product(s) are outside the scope of the warranty.

### Copyright and liabilities

The copyright for this manual belongs to Endo Kogyo Co., Ltd.

The manual is provided for the limited purpose of supporting the safe and proper use of the product. It cannot be used for other purposes.

The customer may not use or make copies of this manual, in whole or in part, outside of this purpose without receiving prior consent from Endo Kogyo Co., Ltd.

The customer is also prohibited from translating or modifying the content of the manual, in whole or in part.

The content described in the manual is subject to change without advance notice. Please note this in advance.

## Definition of intended users for this manual

---

This manual has been prepared to help all intended users involved with this product. From the standpoint of safety, we have defined intended users according to their ability and experience and provided detailed descriptions for each group.

This manual defines four user levels.

<b>Operator</b>	The operator is a user who engages in general operations. Maintenance and other operations that require special skills are excluded from the general operations. The operator is therefore not permitted to disassemble the main equipment. The operator should read the manual thoroughly and carry out their work with complete understanding of the operating procedures.
<b>Maintenance operator</b>	In addition to the work of the operator described above, the maintenance operator is permitted to perform installation, simple troubleshooting, and periodic inspections. The maintenance operator is required to develop sufficient knowledge and operating skill for this product. The maintenance operator should read the manual thoroughly and carry out their work with complete understanding of the equipment's characteristics and all work contents.
<b>Management supervisor</b>	The management supervisor is required to have sufficient knowledge of the product and advanced operating skill for this product. The management supervisor should manage not only the product itself but on-site operations that handle the product, comprehensively.
<b>Service engineer</b>	The service engineer is a worker with special knowledge and skills for installing the product, investigating the causes of a failure or damage, and performing repairs and overhauls. Service engineering (the work by the service engineer) is performed by our service technicians or other authorized service personnel.

## Emergency contact in case of malfunctions

---





If any problem with the product arises, contact us or your dealer.



## CONTENTS

<b>Introduction .....</b>	<b>1</b>
Notation in this manual .....	1
Scope of warranty and liabilities for the equipment .....	3
Definition of intended users for this manual .....	4
Emergency contact in case of malfunctions .....	4
<b>1. Precautions for handling .....</b>	<b>6</b>
<b>2. Maintenance.....</b>	<b>7</b>
2-1 Daily inspections.....	7
2-2 Periodical inspections.....	7
2-3 Replacement of the wire rope .....	9
2-4 Replacement of the spring .....	13
2-5 Replacement of the wire guide.....	23
2-6 Countermeasures when the wire rope is caught between the drum and the casing .....	25

# 1. Precautions for handling

Incorrect handling of this product may cause damage to the product itself as well as a fire or injury. Thoroughly read the following precautions and be sure to heed the instructions when handling the machinery.

 <b>WARNING</b>	
	<ul style="list-style-type: none"><li>● Do not use in explosive, flammable gas, or dusty atmospheres, any place where water or oil may splash, or near combustibles. This may cause fire and injury.</li><li>● Do not perform any modifications to the product.</li></ul>
	<p>The maintenance should be performed by a maintenance operator who has developed sufficient knowledge and operating skill for the balancer.</p>
	<ul style="list-style-type: none"><li>● Incorrect usage of the product may cause injury. Use the product correctly in accordance with the descriptions in this manual.</li><li>● Particularly, “WARNING”, “CAUTION”, and “NOTICE” described in this manual must be fully understood and always observed.</li><li>● Install the product correctly in accordance with the descriptions in this manual.</li></ul>

 <b>CAUTION</b>	
	<ul style="list-style-type: none"><li>● Be sure to perform daily and periodic inspections.</li><li>● Be sure to use the product within the capacity range that is described in “4-3-1 Specifications” of the Users Manual.</li></ul>



# 2. Maintenance

## ⚠ WARNING



The maintenance should be performed by a maintenance operator who has developed sufficient knowledge and operating skill for the balancer.

## ⚠ CAUTION



Replace any parts using genuine parts only.

Daily and periodic inspections are required for the product to be used safely and properly. If any failure is found in the inspections, the relevant parts must be replaced. For details, contact us or your dealer.

### 2-1 Daily inspections

Before starting the operation, refer to “6-1 Pre-operation inspections and checks” of the separate Users Manual and perform the inspections and checks daily.

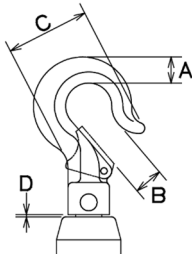
### 2-2 Periodical inspections

Perform an inspection at least once per month. If the product is used in an unfavorable environment or used frequently, reduce the interval between the inspections.

#### 2-2-1 Inspection of the hook

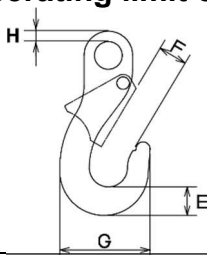
See the figure below and measure the dimensions of the hook. The hook must be replaced when any dimensions have reached the limiting dimensions. Stop using the balancer, and contact us or your dealer.

##### ■ Operating limit of the top hook



Limiting dimension (mm)			
A	B	C	D
15.3	20.0	54.5	2.0

##### ■ Operating limit of the bottom hook



Limiting dimension (mm)			
E	F	G	H
14.9	19.5	53.5	5

## 2-2-2 Inspection of the wire rope

See the figure below and measure the dimension of the wire rope. The wire rope must be replaced when the dimension has reached the limiting dimension or the limiting number of broken wires within one pitch. Stop using the balancer and change the wire rope (see “2-3 Replacement of the wire rope”), or contact us or your dealer.

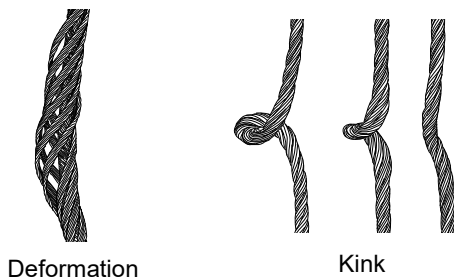
### ■ Operating limit of the wire rope



Dimension I (mm)		Limiting number of broken wires within one pitch
Reference dimension	Limiting dimension	
4.76	4.3	13

### ■ Check of the state of the wire rope

Check that there is no deformation or kink in the wire rope.



Note: Kink is the state in which the wire rope is partially deformed due to torsion or looseness.

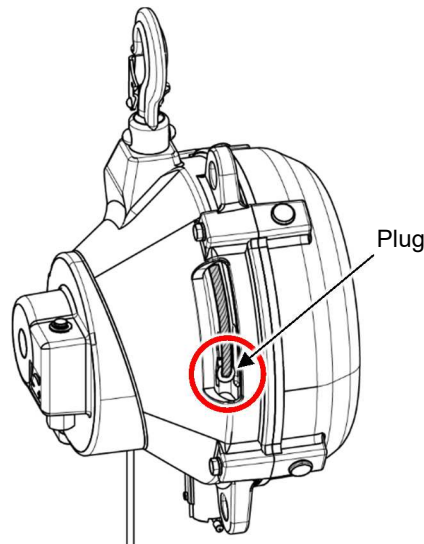
## 2-3 Replacement of the wire rope

### **WARNING**



Do not release the drum lock when the balancer is not loaded or after the tool (equipment) is replaced with one with a different mass (weight). If the drum lock is released in such situations, the wire rope may be quickly wound up as soon as the lock is released, the tool may fall, or an injury may be caused. Attach the tool and adjust the spring tension before releasing the drum lock.

- 1 Pull down the tool (equipment) and extend the wire rope completely.
- 2 Align the position of the plug attached to the drum so that the plug can be seen through the window as shown in the figure below.



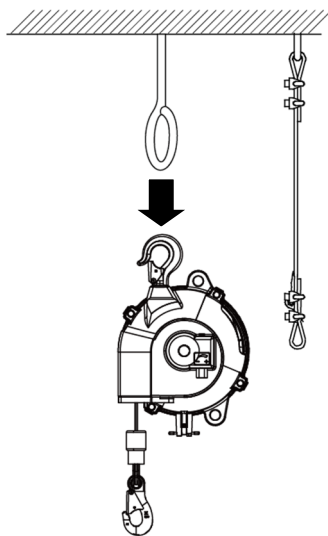
- 3 Activate the drum lock. (See “6-3 Operation method of the drum lock” in the Users Manual)
- 4 Before removing the tool, move the tool up and down to check that the drum is securely locked.

### **WARNING**

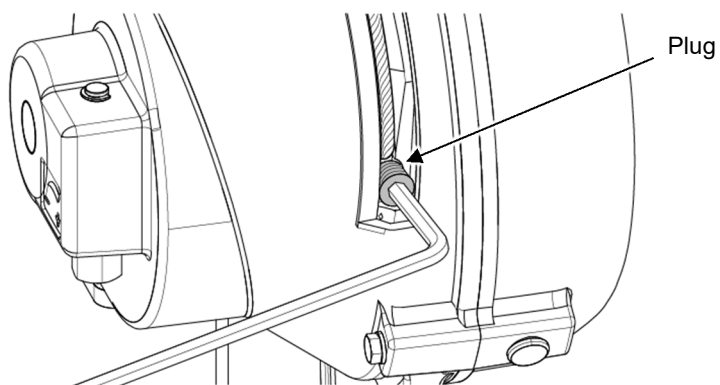


Do not remove the tool before checking that the drum is securely locked by moving the tool (equipment) up and down. If the drum is locked inadequately, the drum lock may be released during the work. Then, the wire rope may be quickly wound up, causing an injury.

- 5 Remove the balancer from the support member and place it on the ground or on a workbench.



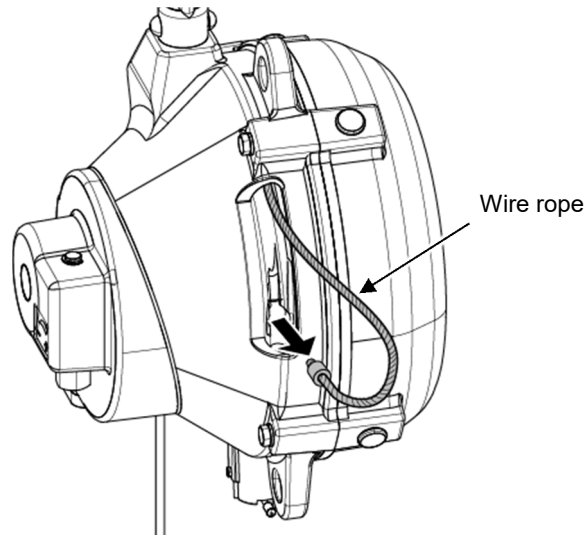
- 6 Remove the plug with a hex. key.



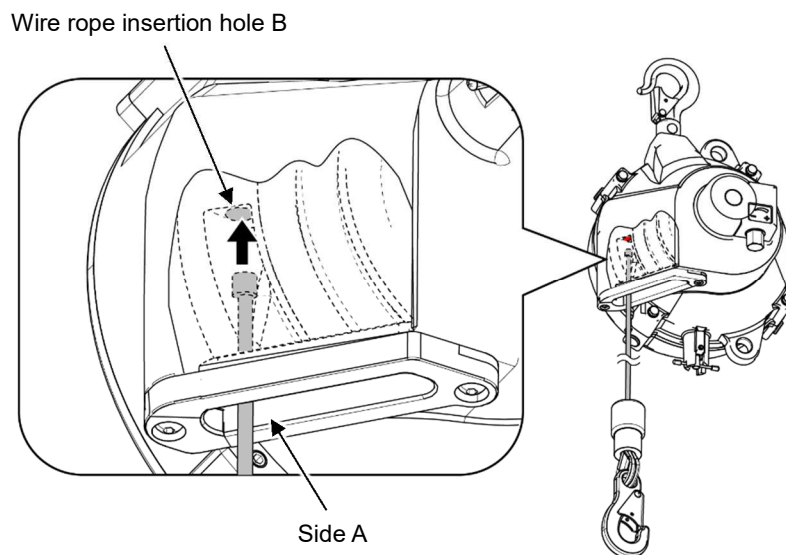
- 7 Pull the wire rope from the drum until it is totally removed.

**! REMINDER**

If the end of the wire rope becomes stuck while drawing the wire rope into the drum, push or squeeze the end of the wire rope into the drum using a tool to dislodge it.



- 8 Insert the new wire rope into the drum through wire rope insertion hole B from side A as shown in the figure below, and pass the wire rope inside the drum.



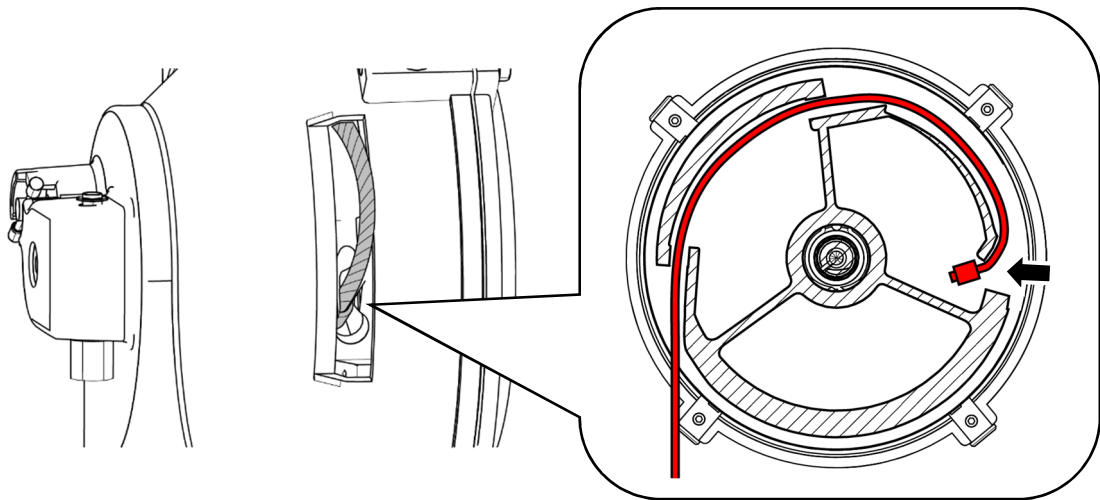
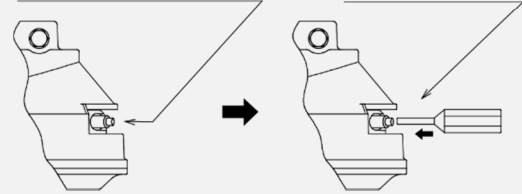
- 9** Pull out the end of the wire rope through the window and insert the end into the hole for the plug.

**! REMINDER**

When the wire rope becomes stuck inside the drum, it can be passed through the drum easily by twisting and squeezing it.

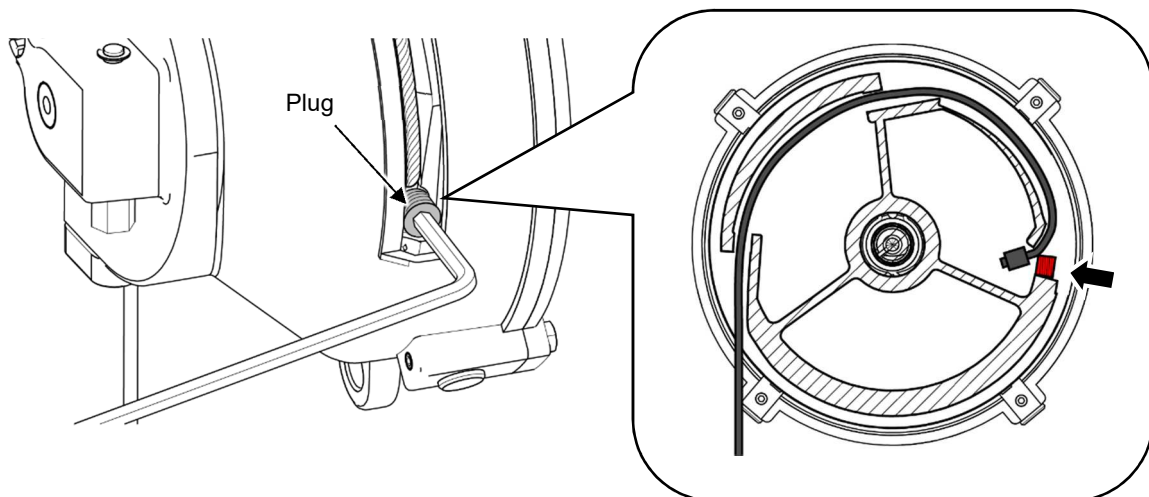
If the end of the wire rope is caught while pulling it

Squeeze the end of the wire rope using a tool



Sectional drawing

- 10** Attach the plug and tighten it with a hex. key.



Sectional drawing

- 11** Install the balancer to the support members.

- 12** Attach the removed tool to the bottom hook again, and release the drum lock.

## 2-4 Replacement of the spring

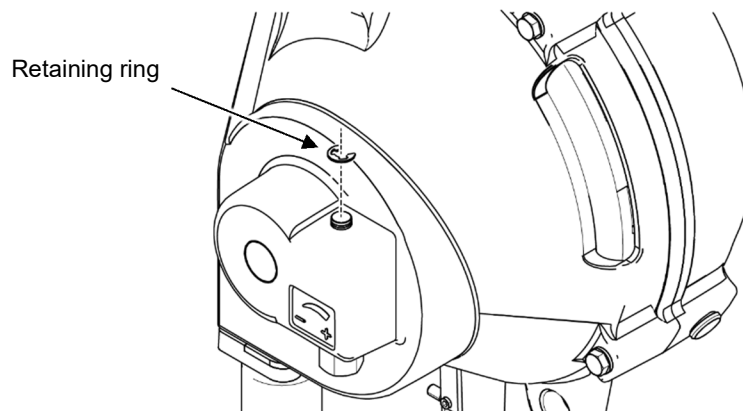
### **WARNING**



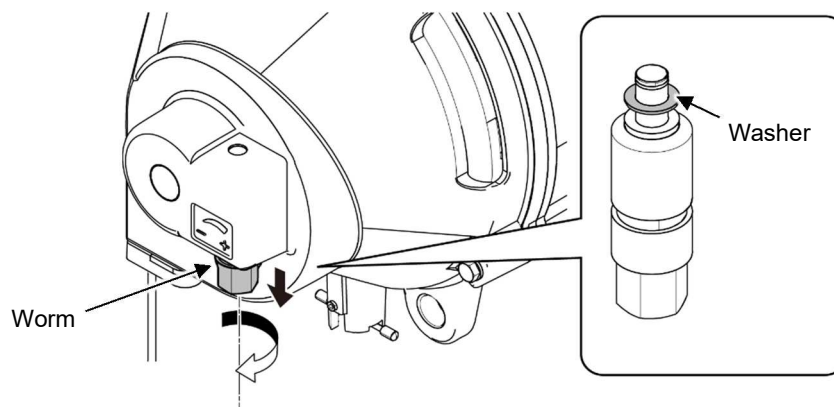
- The spring should be replaced by a maintenance operator who has developed sufficient knowledge and operating skill for the balancer.
- The spring of the product is highly dangerous if handled incorrectly. Handle the spring with great caution when replacing it.
- Do not remove the spring from the spring assembly. The spring may rapidly extend, causing an injury.
- Replace the spring as “a set of spring parts”.
- Multiple springs are used for ELF-40 and the models with a larger capacity. Therefore, even if one of the springs is ruptured, tension remains in the other springs. Perform the work with caution.

### 2-4-1 Removal of the spring

- 1 Remove the retaining ring from the end of the worm.



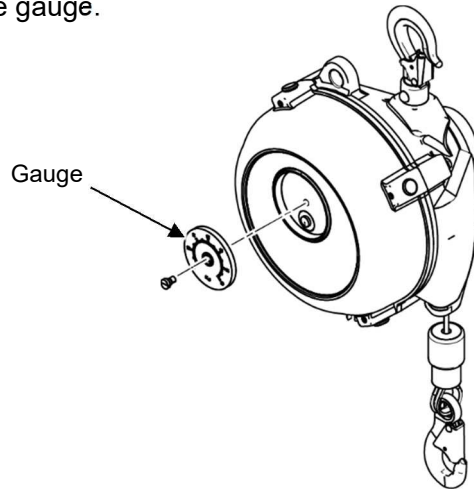
- 2 Turn the worm in the “-” direction (counterclockwise) until the worm comes off and release the spring tension. Pull the wire rope to confirm that no spring tension remains.



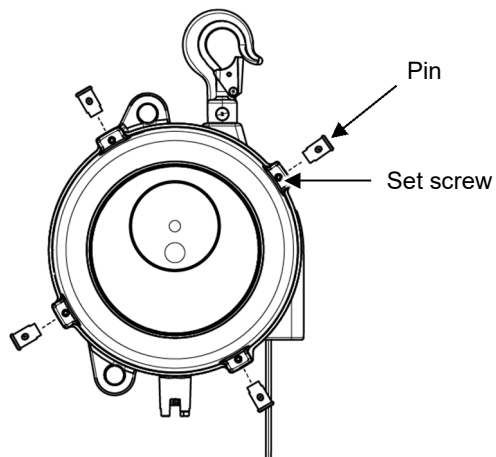
The washer comes off together with the worm. Keep the washer because it is used for reinstallation. If the washer cannot be removed, follow step 9 to remove the washer.

## Spring Balancer Repair Manual

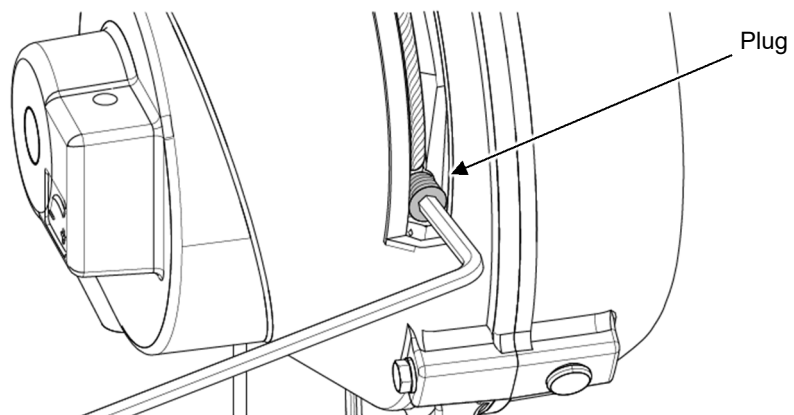
- 3 Remove the balancer from the support member and place it on the ground or on a workbench.
- 4 Remove the gauge.



- 5 Loosen the set screw and remove all pins.



- 6 Remove the plug with a hex. key.

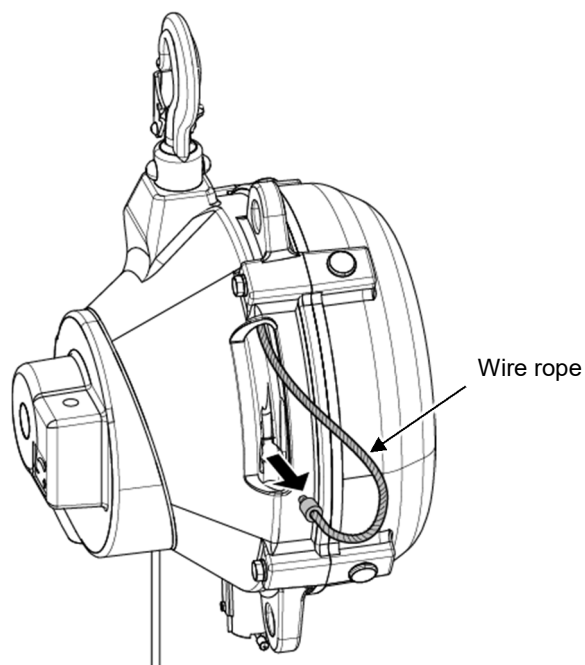




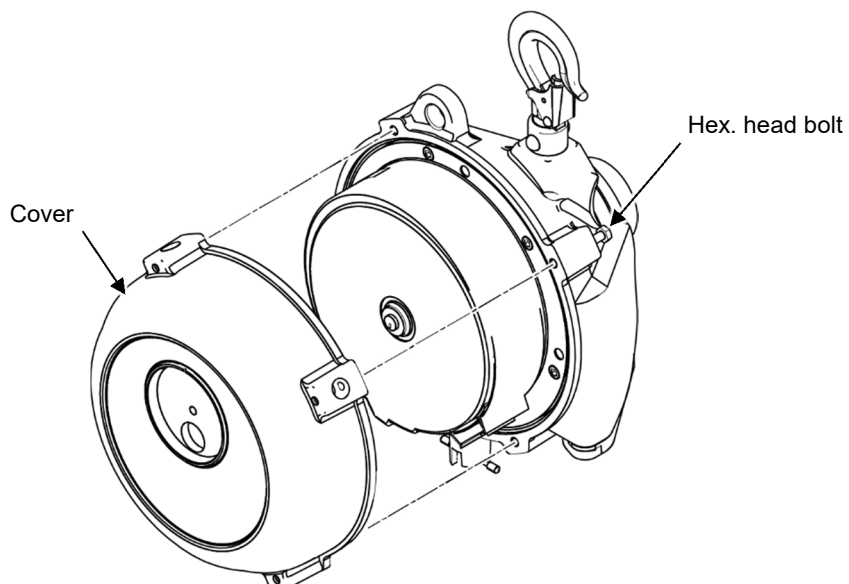
- 7 Pull the wire rope from the drum until it is totally removed.

**!** REMINDER

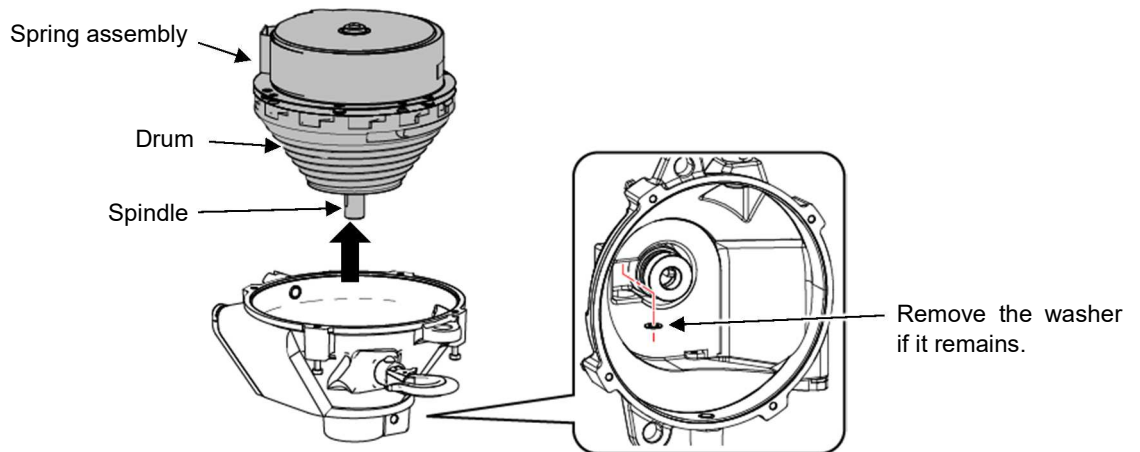
If the end of the wire rope becomes stuck while drawing the wire rope into the drum, push or squeeze the end of the wire rope into the drum using a tool to dislodge it.



- 8 Loosen the hex. head bolts and remove the cover.

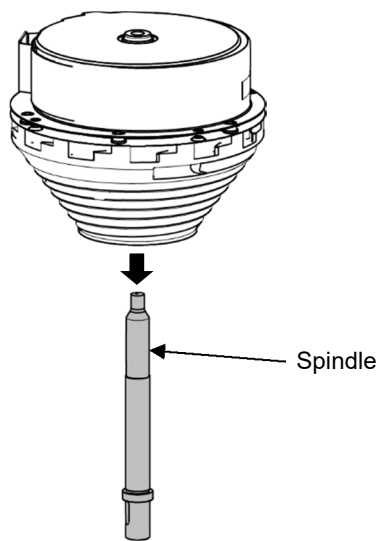


- 9** Remove the spring assembly, drum, and spindle as one unit from the casing.

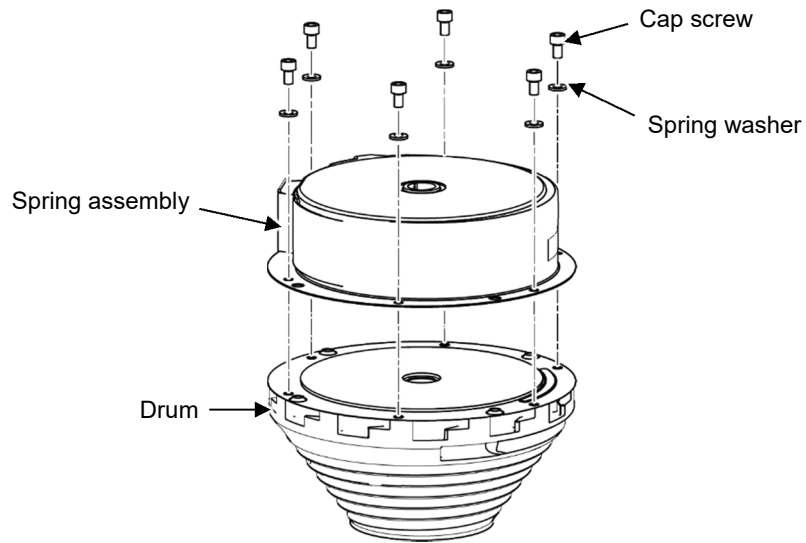


If the washer cannot be removed in step 2, remove the remaining washer from the inside of the casing. Keep the washer because it is used for reinstallation.

- 10** Remove the spindle.



- 11** Remove the Cap screw and the spring washers, and separate the spring assembly from the drum.



**⚠ WARNING**



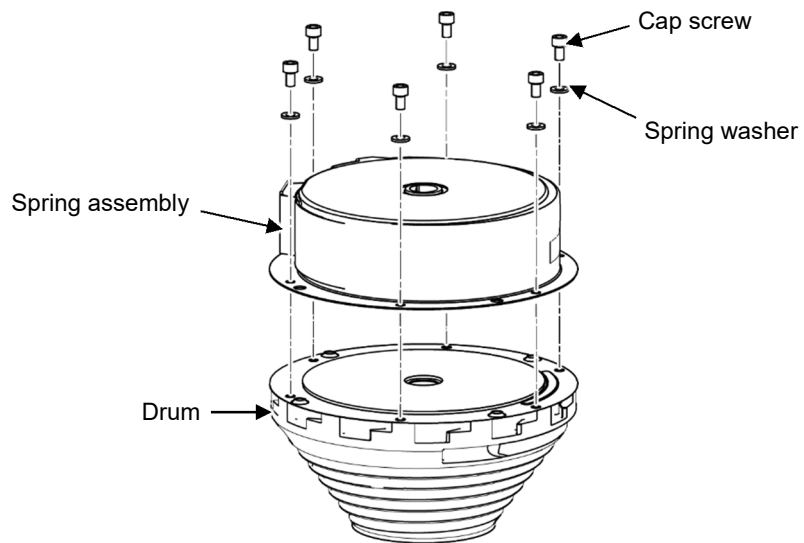
**Do not remove the cover from the spring assembly.**

**If the cover of the spring assembly is removed, the spring inside may spring out, causing an injury.**

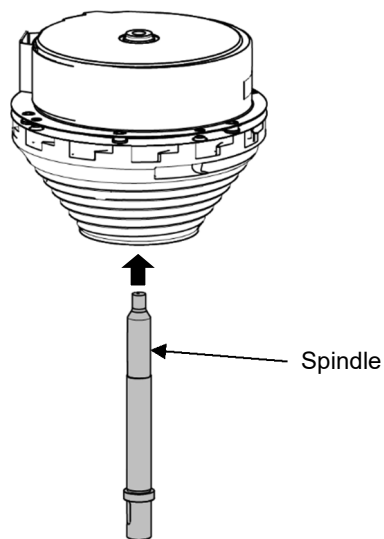


## 2-4-2 Assembling of the spring

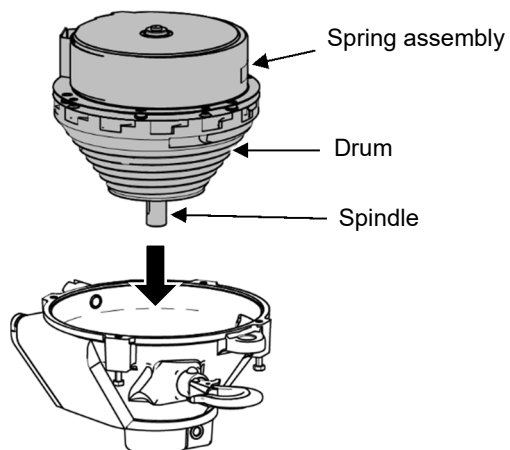
- 1 Attach the spring assembly on the drum with the Cap screw and the spring washers.



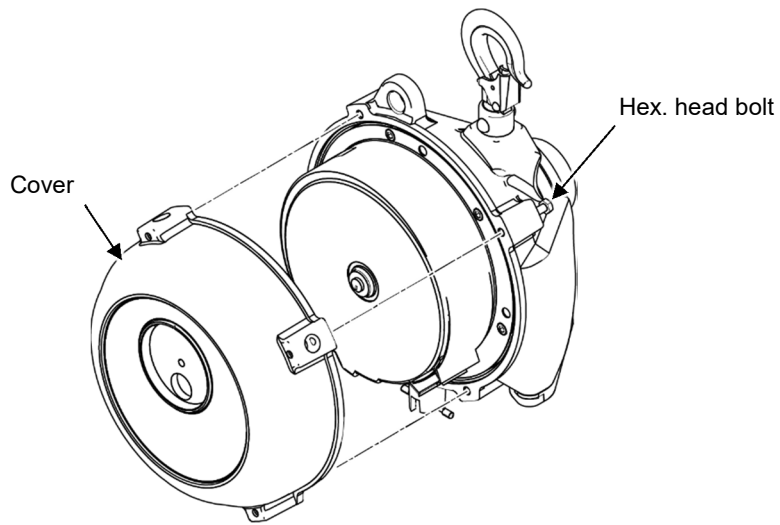
- 2 Attach the spindle.



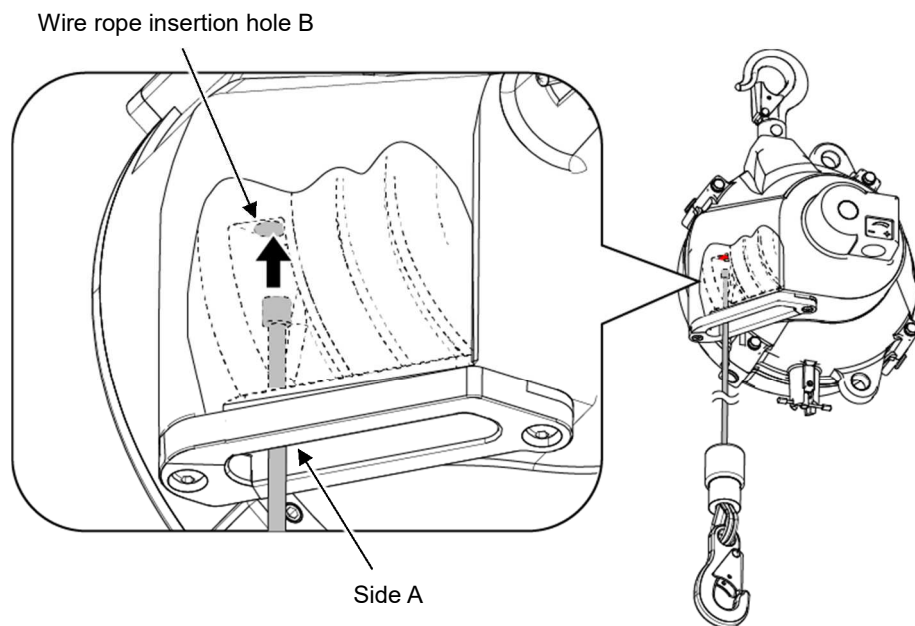
- 3 Attach the spring assembly, drum, and spindle to the casing.



- 4** Attach the cover, and attach the hex. head bolts and the spring washers.



- 5** Insert the wire rope into the drum through wire rope insertion hole B from side A as shown in the figure below, and pass the wire rope inside the drum.



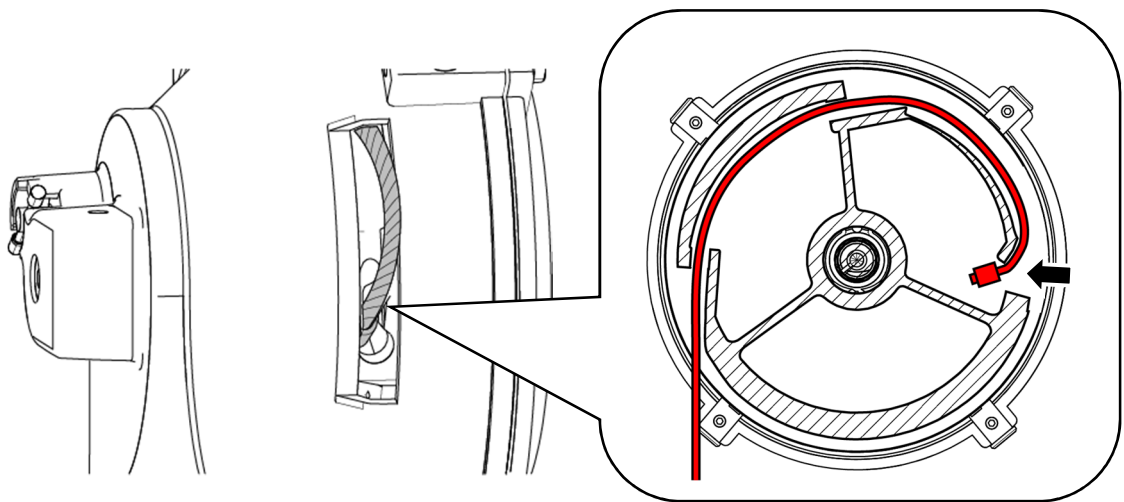
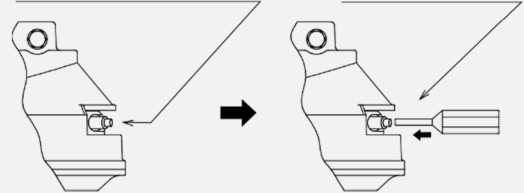
- 6 Pull out the end of the wire rope through the window and insert the end into the hole for the plug.

**!** REMINDER

When the wire rope becomes stuck inside the drum, it can be passed through the drum easily by twisting and squeezing it.

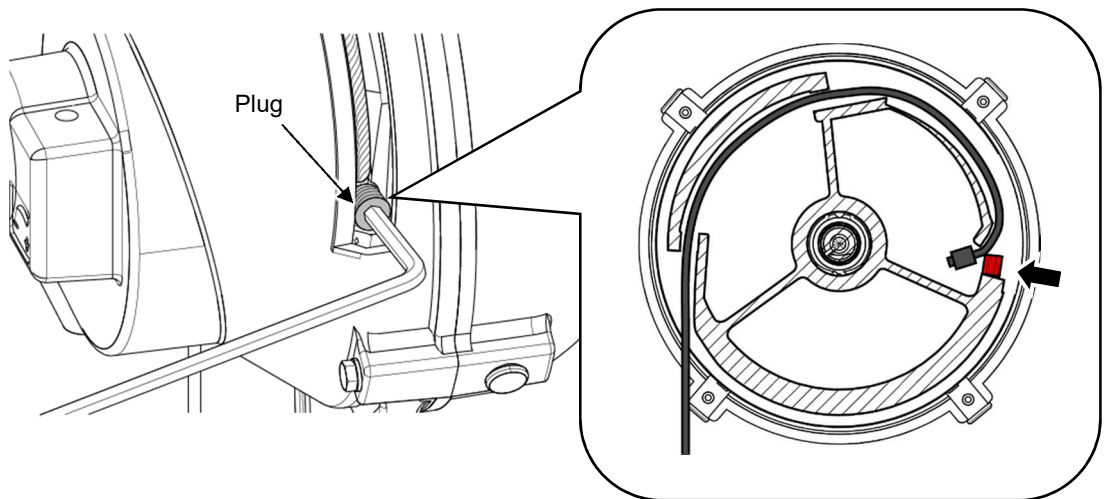
If the end of the wire rope is caught while pulling it

Squeeze the end of the wire rope using a tool



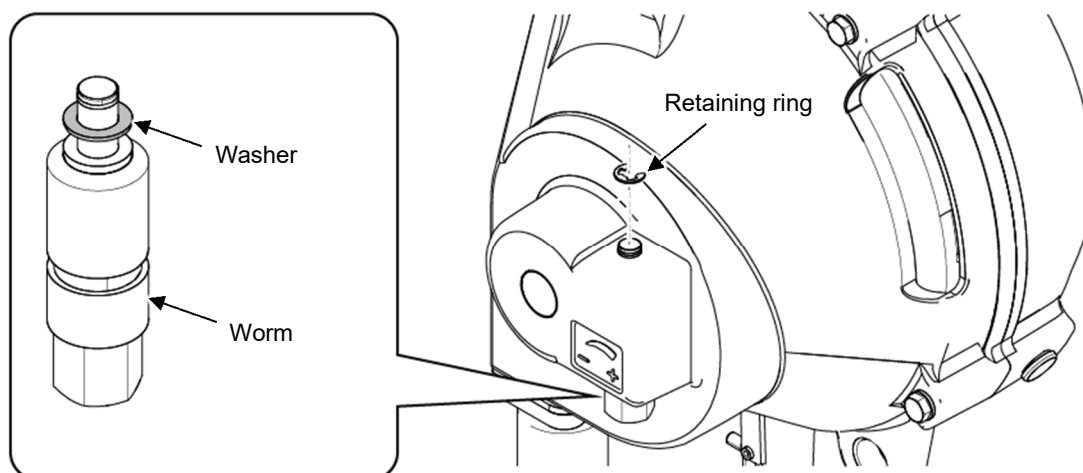
Sectional drawing

- 7 Attach the plug and tighten it with a hex. key.



Sectional drawing

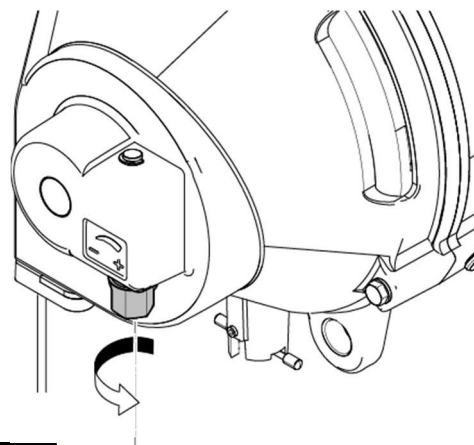
- 8 Attach the worm together with the washer and attach the retaining ring.



- 9 Turn the worm in the “+” direction (clockwise) and wind the spring.

**! REMINDER**

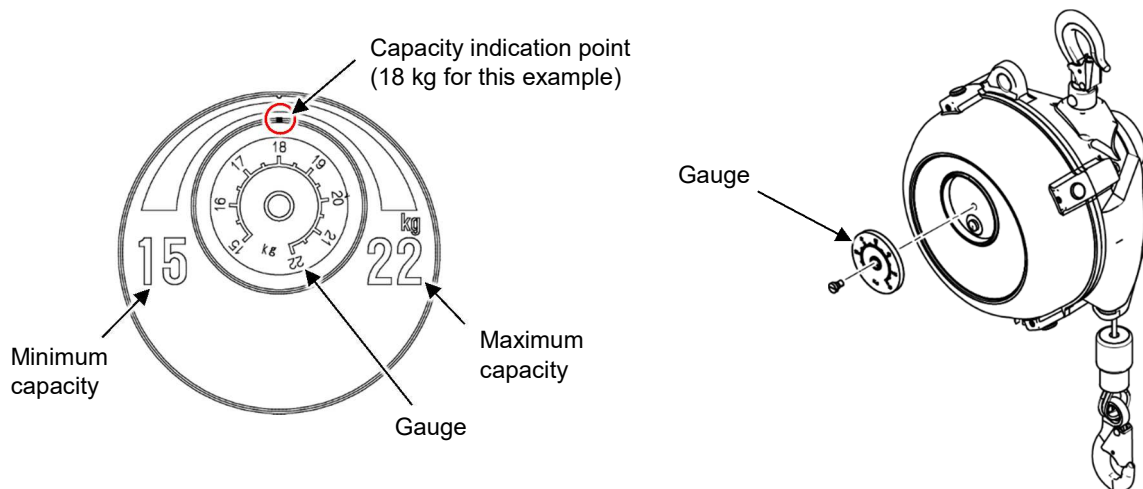
When the worm is turned, the wire rope is wound inside the drum. Prevent the wire rope from coming off the groove on the drum.  
After the wire rope is completely wound inside the drum, further turn the worm by the number of times described in the table below.



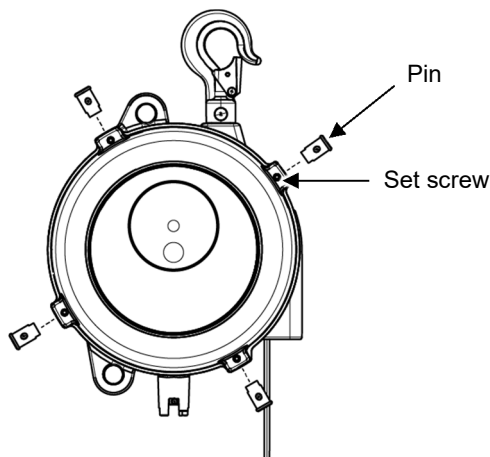
Model	Number of worm turns	Setting weight
ELF-15	Approx. 140	Approx.12kg
ELF-22	Approx. 120	Approx.18kg
ELF-30	Approx. 130	Approx.26kg
ELF-40	Approx. 120	Approx.35kg
ELF-50	Approx. 110	Approx.45kg
ELF-60	Approx. 135	Approx.55kg
ELF-70	Approx. 120	Approx.65kg

- 10 Attach a weight whose mass (weight) has been measured within the capacity range to the bottom hook, and adjust the spring tension. (See “5-2-2 Installation of tools and equipment and adjustment of the spring tension” in the Users Manual)

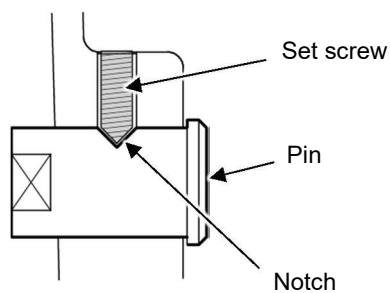
**11** Attach the gauge according to the adjusted load.



**12** Attach all pins.



**13** Align the notch on the pin with the tip of the set screw, and fix the pin with the set screw.



**⚠ WARNING**

**!** If the pins are not installed correctly, the fall-arrest device may not be activated when the spring is ruptured, causing an injury or property damage. Be sure to install all pins, and correctly fix them with the set screws.



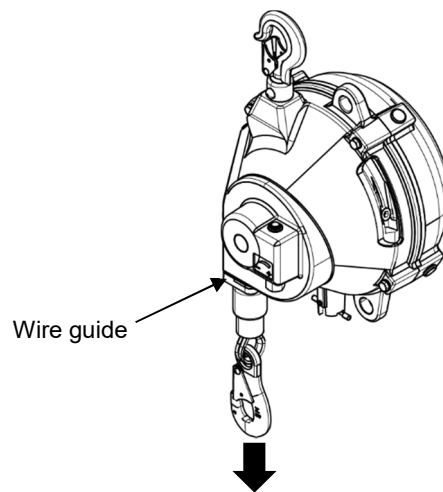
## 2-5 Replacement of the wire guide

### **WARNING**

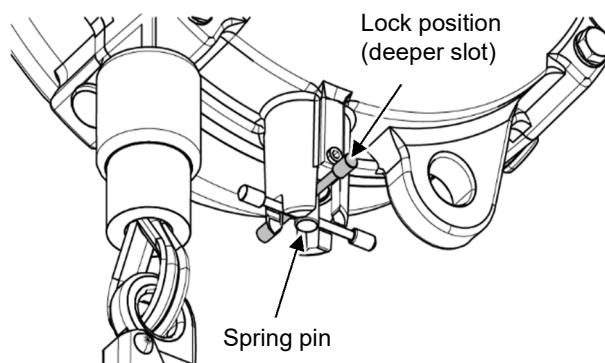


Do not remove the tool before checking that the drum is securely locked by moving the tool (equipment) up and down.  
If the drum is locked inadequately, the drum lock may be released during the work. Then, the wire rope may be quickly wound up, causing an injury.

- 1 Extend the wire rope to a position where the wire guide can be replaced.

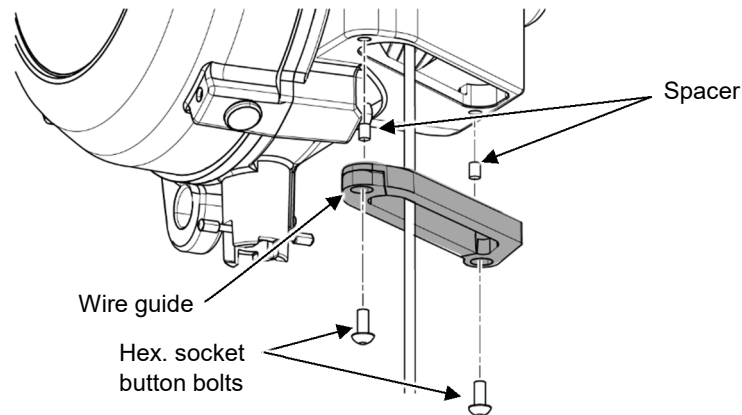


- 2 Turn the spring pin to the lock position, and lock the drum. (See “6-3 Operation method of the drum lock” in the Users Manual)



- 3 Before removing the tool (equipment), move the tool up and down to check that the drum is securely locked.
- 4 Remove the balancer from the support member and place it on the ground or on a workbench.

- 5 Remove the hex. socket button bolts (2 pieces), and remove the wire guide from the casing together with the spacers. Keep the spacers because it is used for reinstallation.



- 6 Attach the new wire guide and the spacers with the hex. socket button bolts (2 pieces). Tighten the hex. socket button bolts with a torque between 2.8 and 3.0 N·m.

**!** REMINDER

The hex. socket button bolts are processed to prevent looseness. Always replace the used screws with new ones after removing them.

- 7 Install the balancer to the support members.  
(See “5-2-1 Installation of the Spring Balancer” in the Users Manual)
- 8 Attach the removed tool to the bottom hook again, and release the drum lock.

**!** **WARNING**



**Do not release the drum lock when the balancer is not loaded or after the tool (equipment) is replaced with one with a different mass (weight). If the drum lock is released in such situations, the wire rope may be quickly wound up as soon as the lock is released, the tool may fall, or an injury may be caused. Attach the tool and adjust the spring tension before releasing the drum lock.**

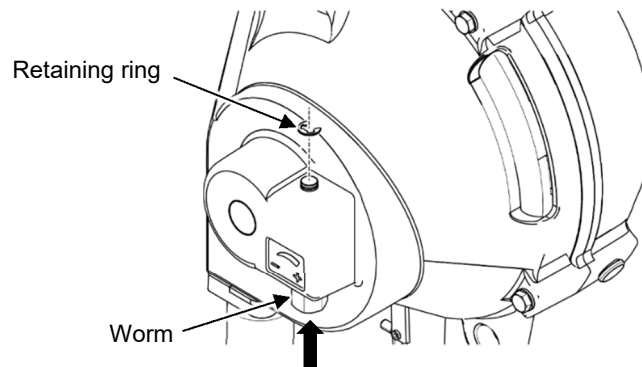
## 2-6 Countermeasures when the wire rope is caught between the drum and the casing

- 1 Strongly pull the wire rope with the tool (equipment) attached.

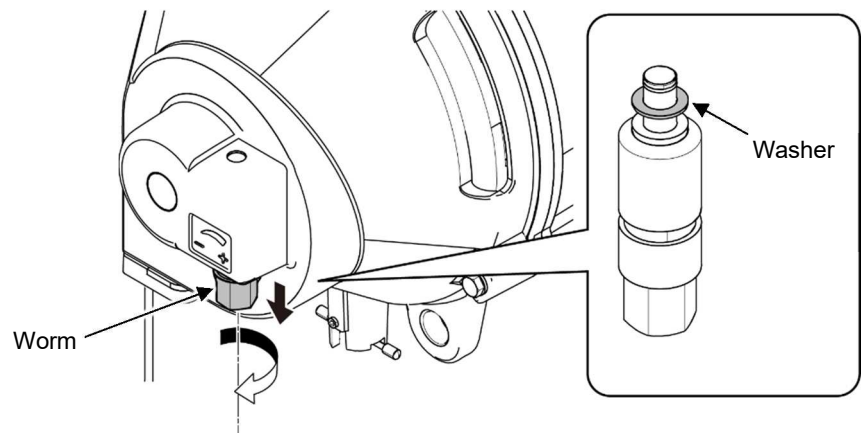
**!** REMINDER

Inspect the wire rope after pulling it out. Replace the wire rope if any damage is found.

- 2 If the wire rope cannot be pulled out, remove the retaining ring from the end of the worm.



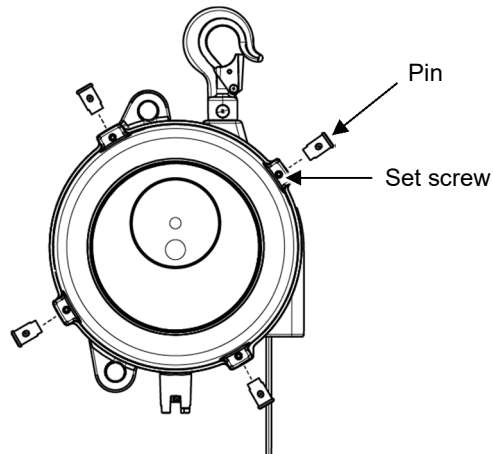
- 3 To release the spring tension, turn the worm in the “-” direction (counterclockwise) and remove the worm.



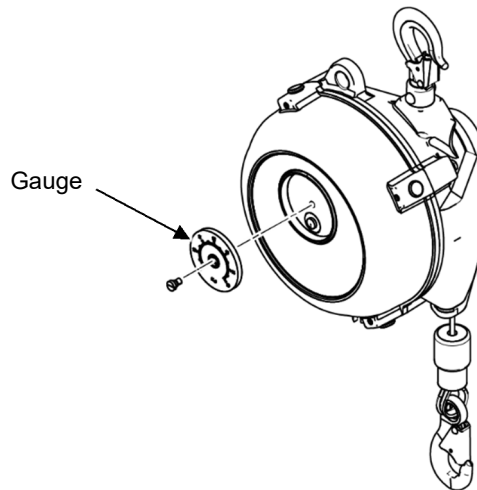
The washer comes off together with the worm. Keep the washer because it is used for reinstallation. If the washer cannot be removed, follow step 7 to remove the washer.

- 4 Remove the tool from the bottom hook, and remove the balancer from the support members.

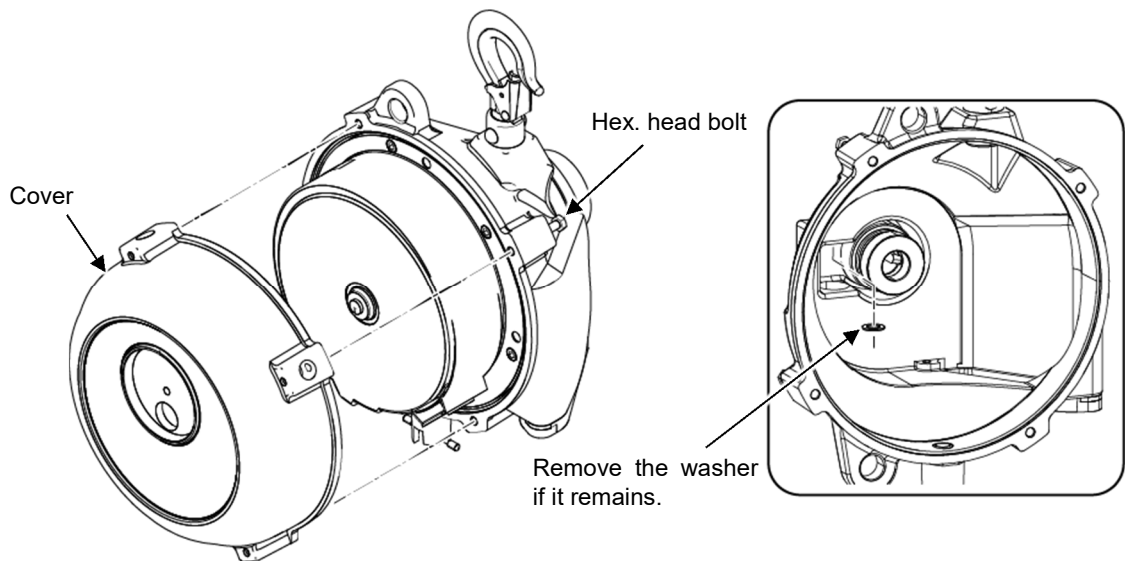
- 5 Loosen the set screw and remove all pins.



- 6 Remove the gauge.

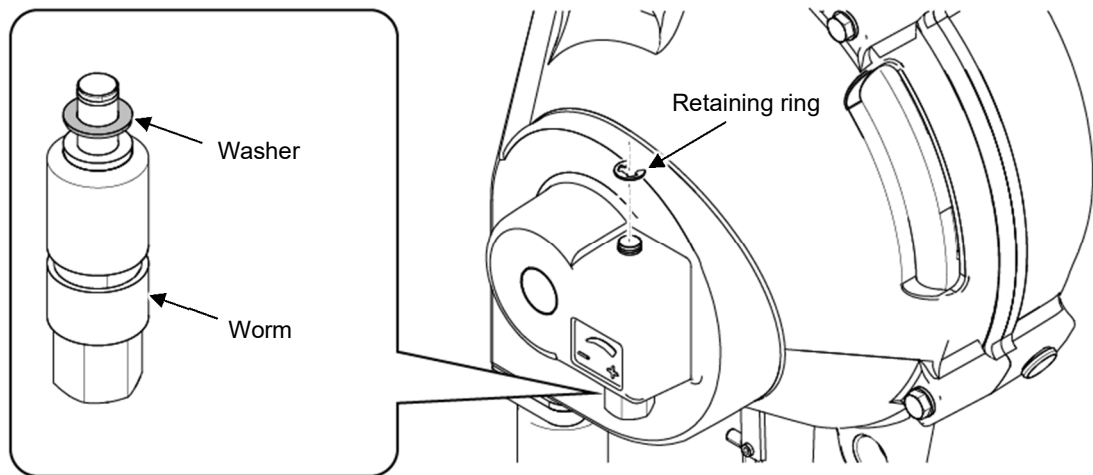


- 7 Loosen the hex. head bolts and remove the cover.



If the washer cannot be removed in step 3, remove the remaining washer from the inside of the casing. Keep the washer because it is used for reinstallation. (See Step 9 in "2-4-1 Removal of the spring" ).

- 8 Pull out the wire rope completely, and inspect the wire rope. Replace the wire rope if any damage is found.
- 9 Attach the cover, and attach the hex. head bolts and the spring washers.
- 10 Attach the worm together with the washer and attach the retaining ring.



- 11 Adjust the spring tension, and attach the gauge and the pins.  
(See steps 9 to 13 in "2-4-2 Assembling of the spring")

## **ENDO 遠藤工業株式会社**

〒959-1261 新潟県燕市秋葉町 3 丁目 14 番 7 号  
<http://www.endo-kogyo.co.jp>

本社営業部	〒959-1261 新潟県燕市秋葉町 3 丁目 14 番 7 号 TEL : 0256-62-5133 FAX : 0256-62-5772
エコファクトリー	〒959-1276 新潟県燕市小池 5181 番地 1 TEL : 0256-63-9306 FAX : 0256-63-4393
東京営業部	〒101-0042 東京都千代田区神田東松下町 12 番 2 号 JBSL 神田ビル 2F TEL : 03-5295-3711 FAX : 03-5295-3717
名古屋営業所	〒460-0011 愛知県名古屋市中区大須 1 丁目 7 番 14 号パーク IM ビル 3F TEL : 052-253-6231 FAX : 052-253-6240
大阪営業部	〒556-0021 大阪府大阪市浪速区幸町 2 丁目 3 番 14 号ダイトービル 3F TEL : 06-6568-1571 FAX : 06-6568-1573
九州営業所	〒812-0013 福岡県福岡市博多区博多駅東 3 丁目 11 番 15 号文喜ビル 3F TEL : 092-412-5281 FAX : 092-412-5280
サービス営業グループ	〒959-1261 新潟県燕市秋葉町 3 丁目 14 番 7 号 TEL : 0256-64-4786 FAX : 0256-62-5772 E-mail : <a href="mailto:service@endo-kogyo.co.jp">service@endo-kogyo.co.jp</a>

## **ENDO ENDO KOGYO CO., LTD.**

3-14-7, Akiba cho, Tsubame, Niigata 959-1261, Japan  
<http://www.endo-kogyo.co.jp/> TEL: 81-256-62-5133

- 本書ならびに本製品の仕様は改善のために予告なしに変更することがあります。
- 本書の内容の無断転載を禁止します。
- This manual and the specifications of this product are subject to change for improvement without advance notice.
- It is strictly prohibited to reprint or copy any information contained in this manual.



# PARTS LIST

## Spring Balancer

<b>ELF-15</b>	<b>ELF-40</b>	<b>ELF-70</b>
<b>ELF-22</b>	<b>ELF-50</b>	
<b>ELF-30</b>	<b>ELF-60</b>	

---

This Parts List covers products from 2021 onwards. Please contact us for any inquiries regarding other parts of the product.

# 1. Introduction

- Please use only genuine parts for replacements or repairing.
- Scope of the parts list

This parts list shows parts for the Spring balancer ELF series. Models are as below.

Model	Capacity range (kg)	Factory Setting Load (kg)	Stroke (m)	Wire rope diameter (φ mm)	Mass (kg)
ELF-15	9.0~15.0	12	2.5	4.76	10.0
ELF-22	15.0~22.0	18	2.5	4.76	10.2
ELF-30	22.0~30.0	26	2.5	4.76	11.0
ELF-40	30.0~40.0	35	2.5	4.76	14.5
ELF-50	40.0~50.0	45	2.5	4.76	14.9
ELF-60	50.0~60.0	55	2.5	4.76	17.1
ELF-70	60.0~70.0	65	2.5	4.76	18.0

- How to find the parts from the list

Please refer the reference number on the exploded view and choose the parts from the list according to its reference number.

Ref. No	Parts No.	Description	Quantity			Remarks
			ELF-15	ELF-22	ELF-30	
—	LBP001364	Casing assembly	1	1	1	
1	P2B100155	—Casing	1	1	1	
—	LBP000215	—Hook complete	1	1	1	
2	—	— — Hook	1	1	1	
—	LBP000216	— — Latch set	1	1	1	
3	—	— — — Latch	1	1	1	
4	—	— — — Spring	1	1	1	
5	—	— — — Rivet	1	1	1	
6	—	— — Shaft	1	1	1	

The mark indicates the range of the set or the complete unit.

- How to order the parts

Please inform us or our distributors of the parts information which include the model, part description, parts number and quantity.

Example

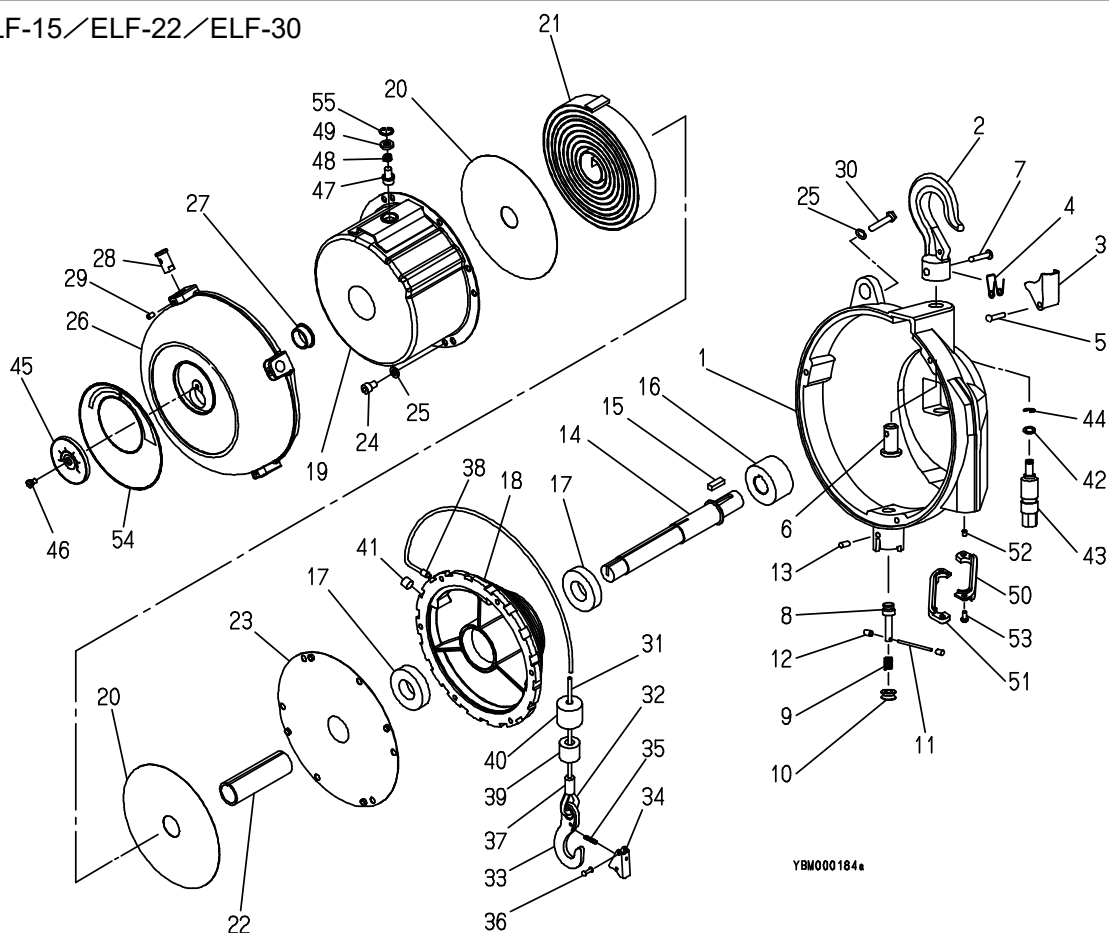
model: ELF-15 parts name: drum parts number: P2B100006 quantity: 1



## 2. Parts list

### 2-1 Spring balancer Body

■ ELF-15/ELF-22/ELF-30

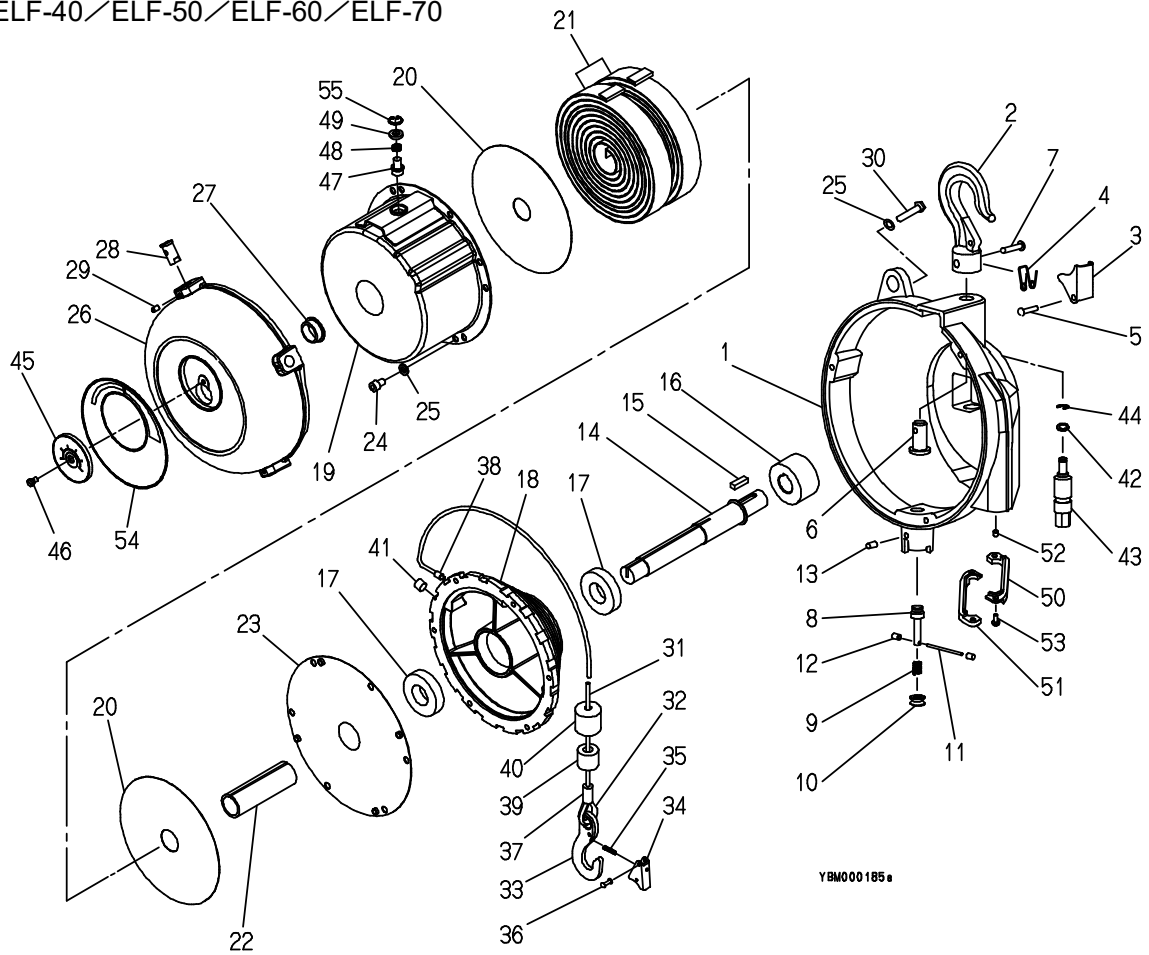


YBM000164\*

Ref. No	Parts No.	Description	Quantity			Remarks
			ELF-15	ELF-22	ELF-30	
—	LBP001364	Casing assembly	1	1	1	
1	P2B100155	—Casing	1	1	1	
—	LBP000215	—Hook complete	1	1	1	
2	—	— — Hook	1	1	1	
—	LBP000216	— — Latch set	1	1	1	
3	—	— — — Latch	1	1	1	
4	—	— — — Spring	1	1	1	
5	—	— — — Rivet	1	1	1	
6	—	— — Shaft	1	1	1	
7	—	— — Rivet	1	1	1	
—	LBP001366	—Drum lock assembly	1	1	1	
8	—	— — Pin	1	1	1	
9	—	— — Spring	1	1	1	
10	—	— — Collar	1	1	1	
11	—	— Spring pin	1	1	1	
12	P2B400359	Cap	2	2	2	
13	P2B400041	Set screw	1	1	1	
14	P2B300052	Spindle	1	—	—	
14	P2B300053	Spindle	—	1	1	
15	P2B400164	Key	1	1	1	
16	P2B300051	Worm wheel	1	1	1	
17	KA60103040	Ball bearing	2	2	2	

Ref. No	Parts No.	Description	Quantity			Remarks
			ELF-15	ELF-22	ELF-30	
18	P2B100006	Drum	1	1	1	
—	LBP000607	Spring assembly	1	—	—	
—	LBP000608	Spring assembly	—	1	—	
—	LBP000609	Spring assembly	—	—	1	
19	—	—Spring case	1	1	1	
20	—	—Plate	2	2	2	
21	—	—Spring	2	1	1	
22	—	—Bushing	1	1	1	
—	LBP001823	—Safety pin set	1	1	1	
47	—	— — Safety pin	1	1	1	
48	—	— — Spring	1	1	1	
49	—	— — Spacer	1	1	1	
55	—	— — Retaining ring	1	1	1	
23	—	—Cover	1	1	1	
24	KA00910610	Cap screw	6	6	6	
25	KA31120600	Spring washer	10	10	10	
—	LBP001367	Cover assembly	1	—	—	
—	LBP001368	Cover assembly	—	1	1	
—	LBP001371	—Cover complete	1	—	—	
—	LBP001372	—Cover complete	—	1	1	
26	—	— — Cover	1	1	1	
27	—	— — Bushing	1	1	1	
28	P2B400045	—Pin	4	4	4	
29	P2B400042	—Set screw	4	4	4	
30	KA00120642	Hex. head bolt	4	4	4	
—	LBP000223	Wire rope assembly	1	1	1	
31	—	—Wire rope	1	1	1	
32	—	—Thimble	1	1	1	
—	LBP002127	—Hook complete	1	1	1	
33	—	— — Hook	1	1	1	
—	LBP002128	— — Latch set	1	1	1	
34	—	— — — Latch	1	1	1	
35	—	— — — Spring	1	1	1	
36	—	— — — Rivet	1	1	1	
37	—	—Lock tube	1	1	1	
38	—	—Lock tube	1	1	1	
39	P2B400151	—Collar	1	1	1	
40	P2B400148	—Buffer	1	1	1	
41	P2B400179	Plug	1	1	1	
42	P2B400163	Washer	1	1	1	
43	P2B300063	Worm	1	1	1	
44	KA40310060	Retaining ring	1	1	1	
45	P2B300066	Gauge	1	—	—	
45	P2B300067	Gauge	—	1	—	
45	P2B300068	Gauge	—	—	1	
46	P2B400165	Screw	1	1	1	
—	LBP001375	Wire guide set	1	1	1	
50	—	—Wire guide	1	1	1	
51	—	—Wire guide	1	1	1	
52	P2B401352	—Spacer	2	2	2	
53	P2B401213	—Hex. socket button bolt	2	2	2	
54	P2B300989	Name plate	1	—	—	
54	P2B300990	Name plate	—	1	—	
54	P2B300991	Name plate	—	—	1	

■ ELF-40/ELF-50/ELF-60/ELF-70



Ref. No	Parts No.	Description	Quantity				Remarks
			ELF-40	ELF-50	ELF-60	ELF-70	
—	LBP001365	Casing assembly	1	1	1	1	
1	P2B100156	—Casing	1	1	1	1	
—	LBP000215	—Hook complete	1	1	1	1	
2	—	—-Hook	1	1	1	1	
—	LBP000216	—-Latch set	1	1	1	1	
3	—	—- - -Latch	1	1	1	1	
4	—	—- - -Spring	1	1	1	1	
5	—	—- - -Rivet	1	1	1	1	
6	—	—-Shaft	1	1	1	1	
7	—	—-Rivet	1	1	1	1	
—	LBP001366	—Drum lock assembly	1	1	1	1	
8	—	—-Pin	1	1	1	1	
9	—	—-Spring	1	1	1	1	
10	—	—-Collar	1	1	1	1	
11	—	—-Spring pin	1	1	1	1	
12	P2B400359	Cap	2	2	2	2	
13	P2B400041	Set screw	1	1	1	1	
14	P2B300287	Spindle	1	1	—	—	
14	P2B300288	Spindle	—	—	1	1	
15	P2B400482	Key	1	1	1	1	
16	P2B300289	Worm wheel	1	1	1	1	
17	KA60103050	Ball bearing	2	2	2	2	
18	P2B100053	Drum	1	1	1	1	
—	LBP000610	Spring assembly	1	—	—	—	
—	LBP000611	Spring assembly	—	1	—	—	

Ref. No	Parts No.	Description	Quantity				Remarks
			ELF-40	ELF-50	ELF-60	ELF-70	
—	LBP000612	Spring assembly	—	—	1	—	
—	LBP000613	Spring assembly	—	—	—	1	
19	—	— Spring case	1	1	1	1	
20	—	— Plate	2	2	2	2	
21	—	— Spring	2	2	2	2	
22	—	— Bushing	1	1	1	1	
—	LBP001140	— Safety pin set	1	1	1	1	
47	—	— — Safety pin	1	1	1	1	
48	—	— — Spring	1	1	1	1	
49	—	— — Spacer	1	1	1	1	
55	—	— — Retaining ring	1	1	1	1	
23	—	— Cover	1	1	1	1	
24	KA00910610	Cap screw	6	6	6	6	
25	KA31120600	Spring washer	10	10	10	10	
—	LBP001369	Cover assembly	1	1	—	—	
—	LBP001370	Cover assembly	—	—	1	1	
—	LBP001373	— Cover complete	1	1	—	—	
—	LBP001374	— Cover complete	—	—	1	1	
26	—	— — Cover	1	1	1	1	
27	—	— — Bushing	1	1	1	1	
28	P2B400045	— Pin	4	4	4	4	
29	P2B400042	— Set screw	4	4	4	4	
30	KA00120644	Hex. head bolt	4	4	4	4	
—	LBP000223	Wire rope assembly	1	1	1	1	
31	—	— Wire rope	1	1	1	1	
32	—	— Thimble	1	1	1	1	
—	LBP002127	— Hook complete	1	1	1	1	
33	—	— — Hook	1	1	1	1	
—	LBP002128	— — Latch set	1	1	1	1	
34	—	— — — Latch	1	1	1	1	
35	—	— — — Spring	1	1	1	1	
36	—	— — — Rivet	1	1	1	1	
37	—	— Lock tube	1	1	1	1	
38	—	— Lock tube	1	1	1	1	
39	P2B400151	— Collar	1	1	1	1	
40	P2B400148	— Buffer	1	1	1	1	
41	P2B400179	Plug	1	1	1	1	
42	P2B400163	Washer	1	1	1	1	
43	P2B300063	Worm	1	1	1	1	
44	KA40310060	Retaining ring	1	1	1	1	
45	P2B300280	Gauge	1	—	—	—	
45	P2B300281	Gauge	—	1	—	—	
45	P2B300282	Gauge	—	—	1	—	
45	P2B300283	Gauge	—	—	—	1	
46	P2B400165	Screw	1	1	1	1	
—	LBP001375	Wire guide set	1	1	1	1	
50	—	— Wire guide	1	1	1	1	
51	—	— Wire guide	1	1	1	1	
52	P2B401352	— Spacer	2	2	2	2	
53	P2B401213	— Hex. socket button bolt	2	2	2	2	
54	P2B300992	Name plate	1	—	—	—	
54	P2B301014	Name plate	—	1	—	—	
54	P2B301015	Name plate	—	—	1	—	
54	P2B301016	Name plate	—	—	—	1	

## **ENDO 遠藤工業株式会社**

〒959-1261 新潟県燕市秋葉町 3 丁目 14 番 7 号  
<http://www.endo-kogyo.co.jp>

本社営業部	〒959-1261 新潟県燕市秋葉町 3 丁目 14 番 7 号 TEL : 0256-62-5133 FAX : 0256-62-5772
エコファクトリー	〒959-1276 新潟県燕市小池 5181 番地 1 TEL : 0256-63-9306 FAX : 0256-63-4393
東京営業部	〒101-0042 東京都千代田区神田東松下町 12 番 2 号 JBSL 神田ビル 2F TEL : 03-5295-3711 FAX : 03-5295-3717
名古屋営業所	〒460-0011 愛知県名古屋市中区大須 1 丁目 7 番 14 号パーク IM ビル 3F TEL : 052-253-6231 FAX : 052-253-6240
大阪営業部	〒556-0021 大阪府大阪市浪速区幸町 2 丁目 3 番 14 号ダイトービル 3F TEL : 06-6568-1571 FAX : 06-6568-1573
九州営業所	〒812-0013 福岡県福岡市博多区博多駅東 3 丁目 11 番 15 号文喜ビル 3F TEL : 092-412-5281 FAX : 092-412-5280
サービス営業グループ	〒959-1261 新潟県燕市秋葉町 3 丁目 14 番 7 号 TEL : 0256-64-4786 FAX : 0256-62-5772 E-mail : <a href="mailto:service@endo-kogyo.co.jp">service@endo-kogyo.co.jp</a>

---

## **ENDO KOGYO CO., LTD.**

3-14-7, Akiba cho, Tsubame, Niigata 959-1261, Japan  
<http://www.endo-kogyo.co.jp/> TEL: 81-256-62-5133

- 本書ならびに本製品の仕様は改善のために予告なしに変更することがあります。
- 本書の内容の無断転載を禁止します。
- This manual and the specifications of this product are subject to change for improvement without advance notice.
- It is strictly prohibited to reprint or copy any information contained in this manual.