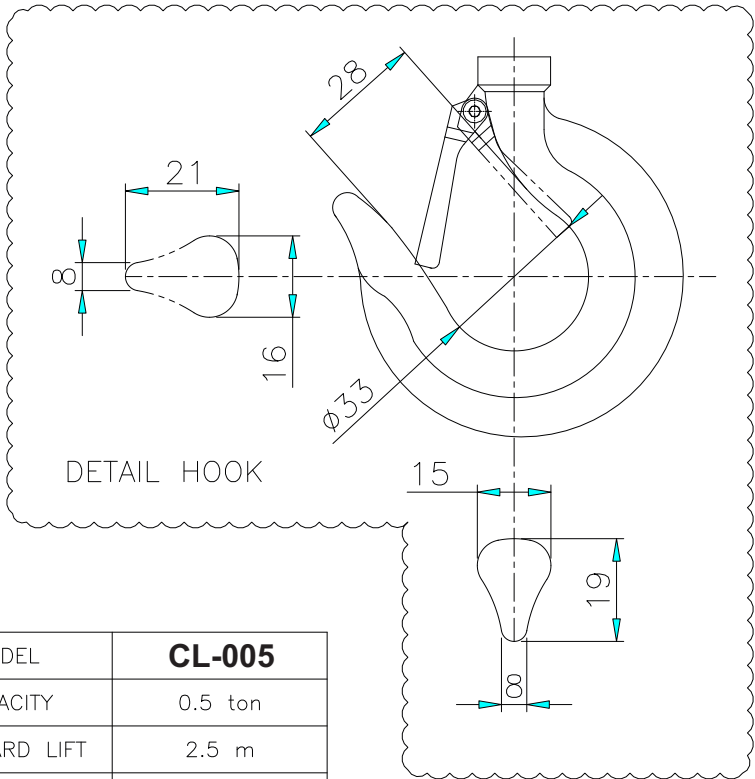
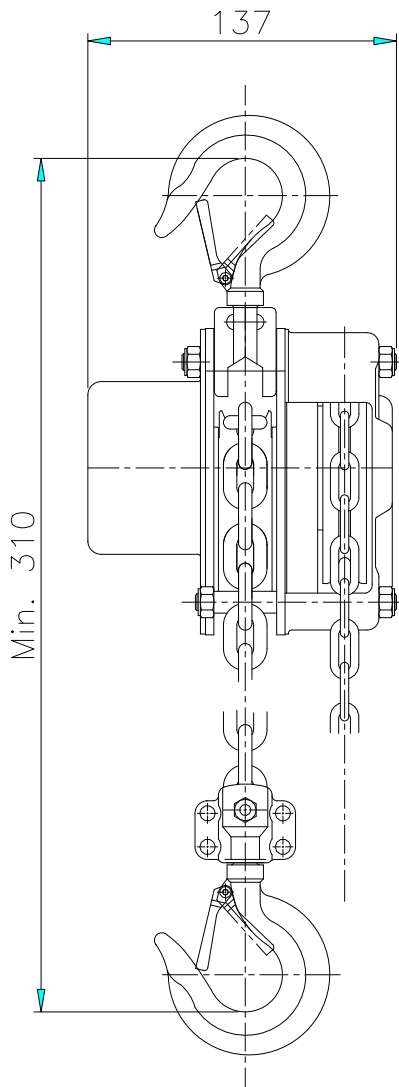
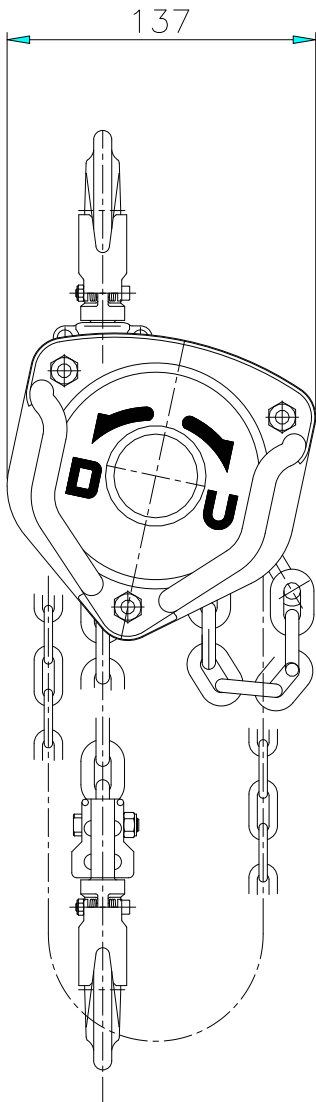


NO	DESCRIPTION	MATERIAL	Q'TY	SIZE	REMARK
1		-	-	-	



MODEL	CL-005
CAPACITY	0.5 ton
STANDARD LIFT	2.5 m
TEST LOAD	0.75 ton
PULLING EFFORT	24 kg
LOAD CHAIN	ø6x1 lines
HAND CHAIN	ø5x25 mm
NET WEIGHT	10 kg

CL-005

△				-	-
REV	DATE	DESCRIPTION	DRAWN	CHECK	APPROV
PROJECT					
CLIENT					
MANUFACTURER					
TITLE ASSEMBLY DRAWING					
SCALE	DWG. NO.	SHT. NO.		REV.	
N/S					