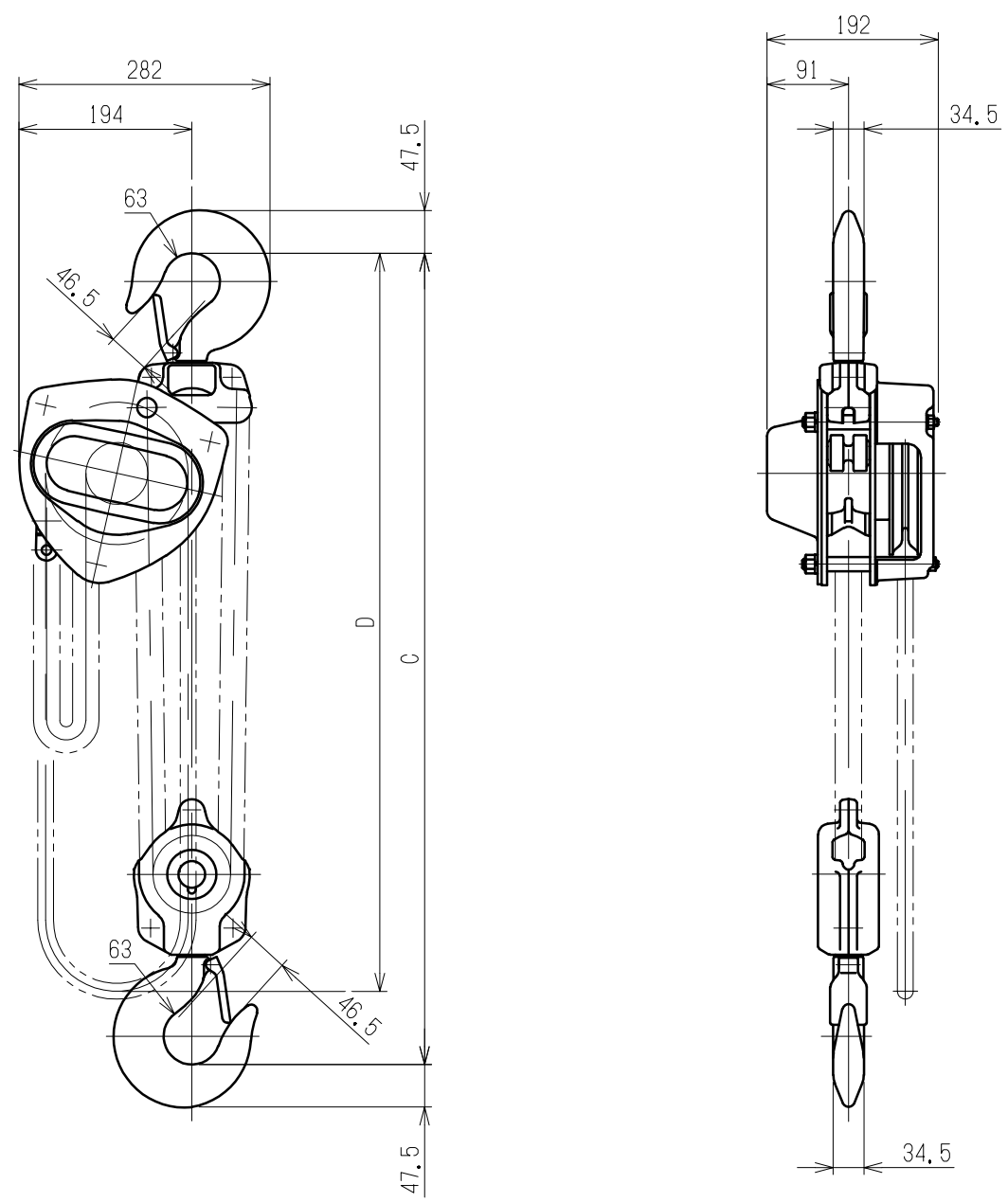


1 2 3 4 5 6 7 8 9

A
B
C
D
E
F



Specifications	
Working load limit	5 t
Std. lift	3.0 m
Min. headroom :C	600 mm
Chain pull to lift full load	333 N (34 kgf)
Hand chain Length from top hook :D	3.6 m
Load chain size	9 x 27 mm
Mass	41 kg

Note;

REV.	QTY	CONTENTS	DATE	DRAWN	APPROVED	APPROVED	CHECKED	DESIGNED	DRAWN
1	-	Drawing update.	2023, 04, 06	T. Amemiya	S. Hagihara				
						SASAKI	OKUYAMA	ARUGA	ARUGA
						2000, 5, 25	2000, 5, 25	2000, 5, 25	2000, 5, 25



TITLE		5t CB SERIES MANUAL CHAIN HOIST	
CODE	CB050	SCALE	1:8
DWG. NO.	C3BA050-12100	REV.	1