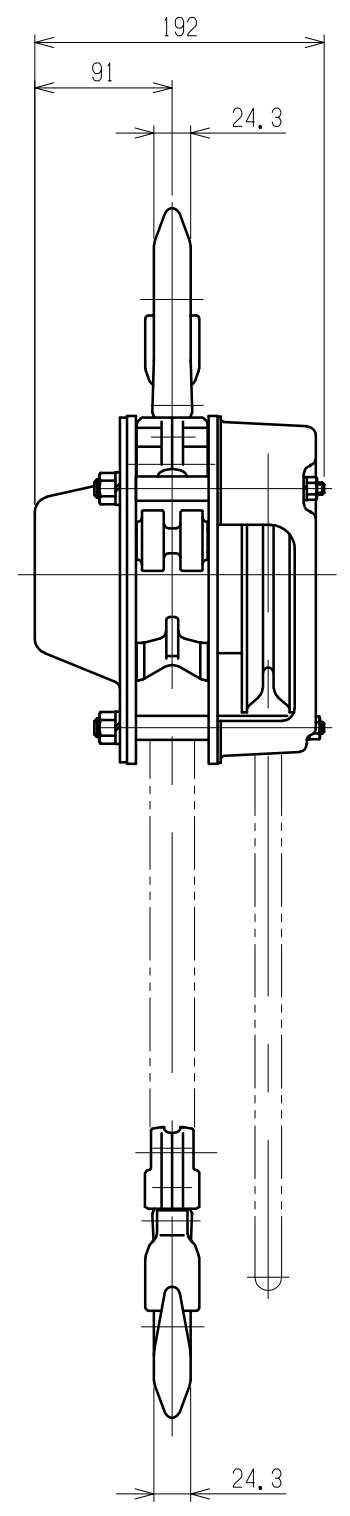
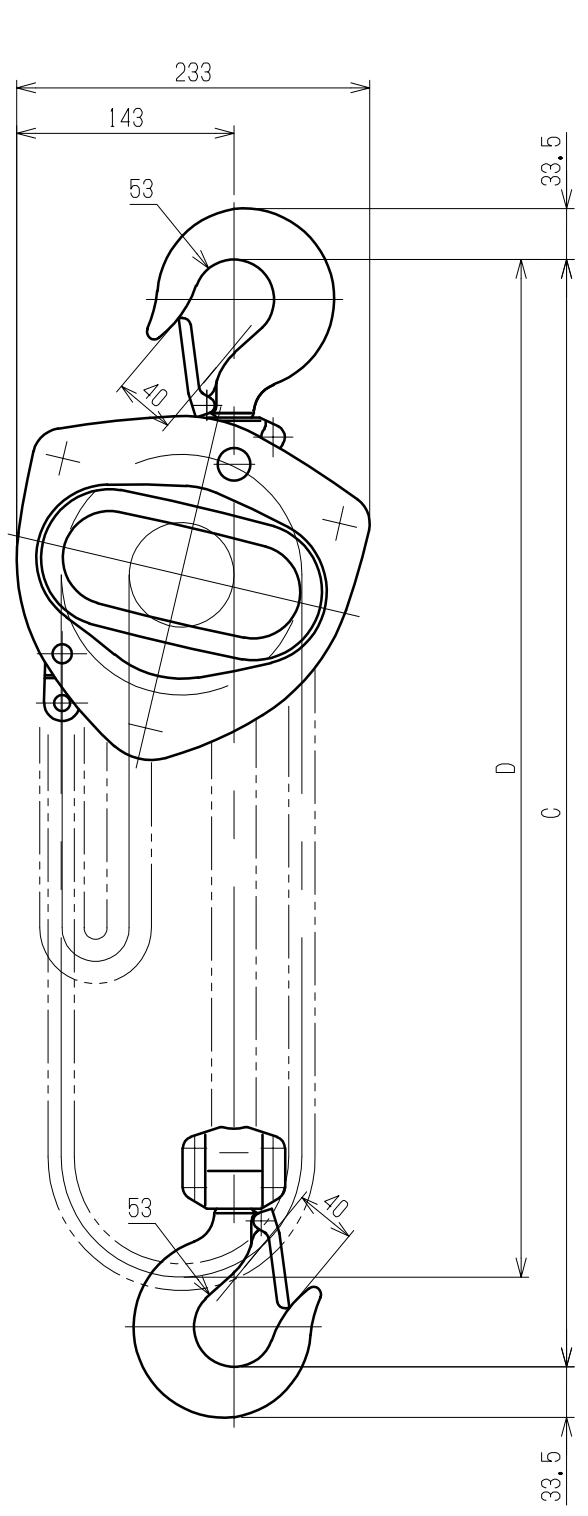


1 2 3 4 5 6 7 8 9

A
B
C
D
E
F



Particulars	
Nominal Capacity	2 1/2 t
Std. Lift	3.0 m
Min. Headroom : C	420 mm
Chain Pull to Lift Full Load	323 N (33 kgf)
Hand Chain Length from Top Hook : D	3.0 m
Load chain size	9 x 27 mm
Mass	27 kg

Note:

REV.	QTY	CONTENTS	DATE	DRAWN	APPROVED
1	-	Drawing update.	2023, 04, 06	T. Amemiya	S. Hagihara

APPROVED	CHECKED	DESIGNED	DRAWN
SASAKI	OKUYAMA	ARUGA	ARUGA
20007, 5	20007, 5	20007, 5	20007, 5



TITLE			
2.5t CB SERIES MANUAL CHAIN HOIST			
CODE	CB025	SCALE	1:5
DWG. NO.	C3BA025-12100	REV.	1