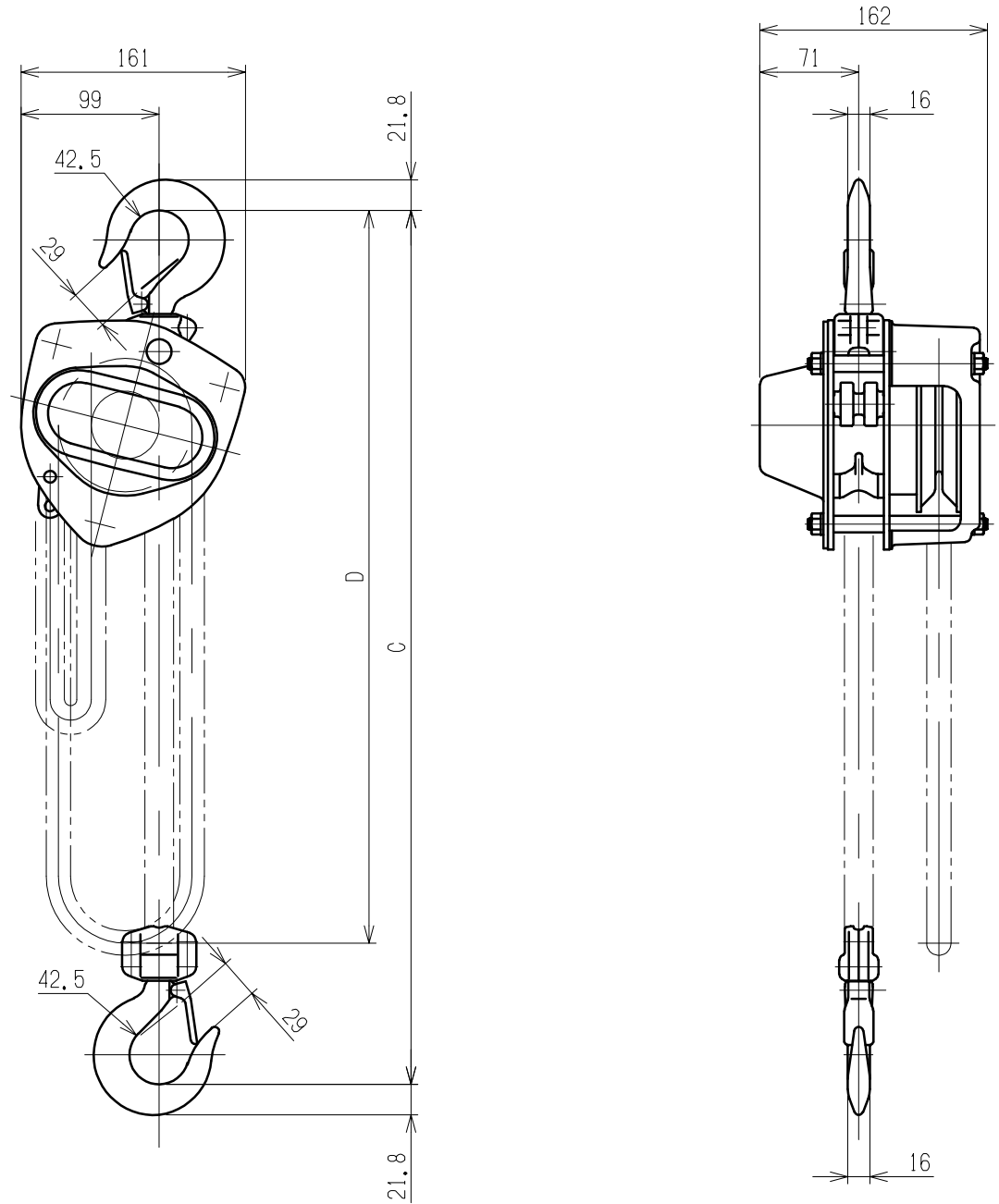


1 2 3 4 5 6 7 8 9

A
B
C
D
E
F



Specifications	
Working load limit	1 t
Std. lift	2.5 m
Min. headroom :C	295 mm
Chain pull to lift full load	284 N (29 kgf)
Hand chain Length from top hook :D	2.5 m
Load chain size	6.3 X 19 mm
Mass	11.5 kg

Note;

						APPROVED	CHECKED	DESIGNED	DRAWN
						SASAKI	OKUYAMA	ARUGA	ARUGA
						2000.5.25	2000.5.25	2000.5.25	2000.5.25
1	-	Drawing update.		2023.04.06	T. Amemiya	S. Hagihara			
REV.	QTY	C O N T E N T S			DATE	DRAWN	APPROVED		



TITLE			
1t CB SERIES MANUAL CHAIN HOIST			
CODE	CB010	SCALE	1:5
DWG. NO.	C3BA010-12100	REV.	1