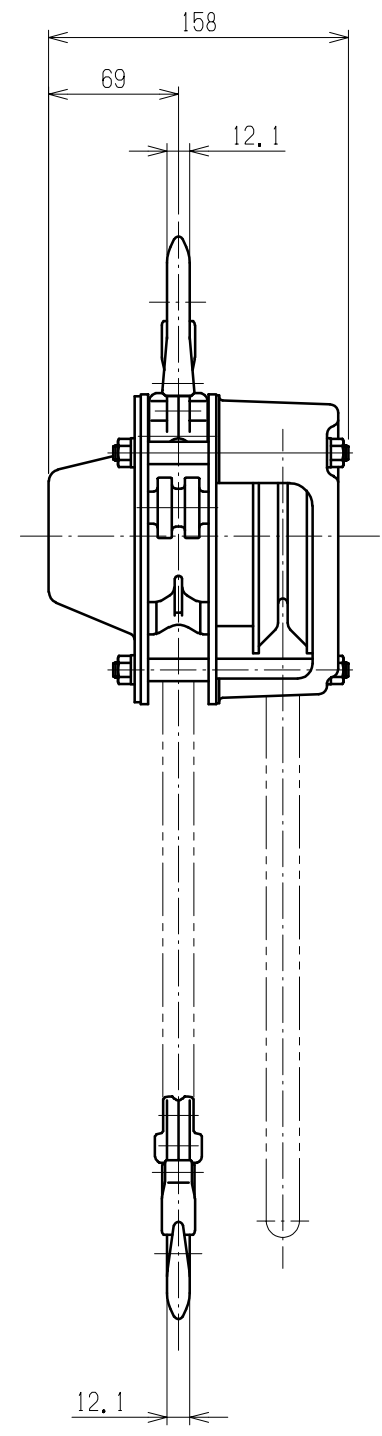
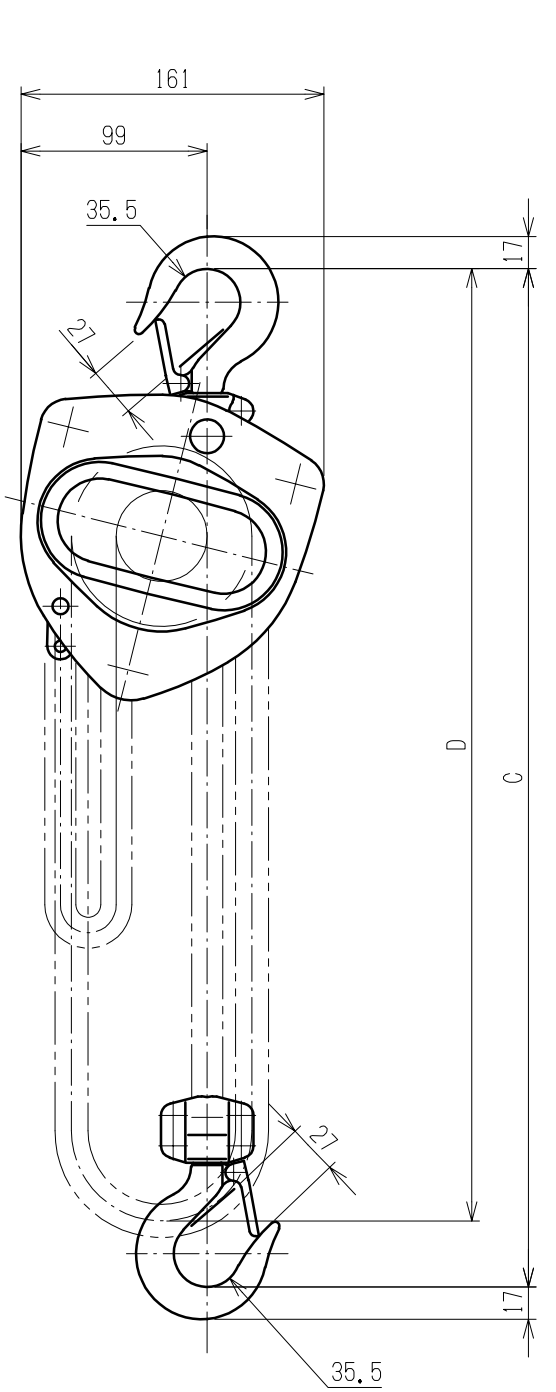


1 2 3 4 5 6 7 8 9

A
B
C
D
E
F



Specifications	
Working load limit	500 kg
Std. lift	2.5 m
Min. headroom :C	285 mm
Chain pull to lift full load	235 N (24 kgf)
Hand chain Length from top hook :D	2.5 m
Load chain size	5 x 15 mm
Mass	10 kg

Note;

REV.	QTY	CONTENTS	DATE	DRAWN	APPROVED	APPROVED	CHECKED	DESIGNED	DRAWN	
1	-	Drawing update.	2023, 04, 06	T. Amemiya	S. Hagihara		SASAKI	OKUYAMA	ARUGA	ARUGA
						2000, 05, 25	2000, 05, 25	2000, 05, 25	2000, 05, 25	

TITLE				500 kg CB SERIES MANUAL CHAIN HOIST			
CODE	CB005			SCALE	1:4		
DWG. NO.	C3BA005-12100			REV.	1		

